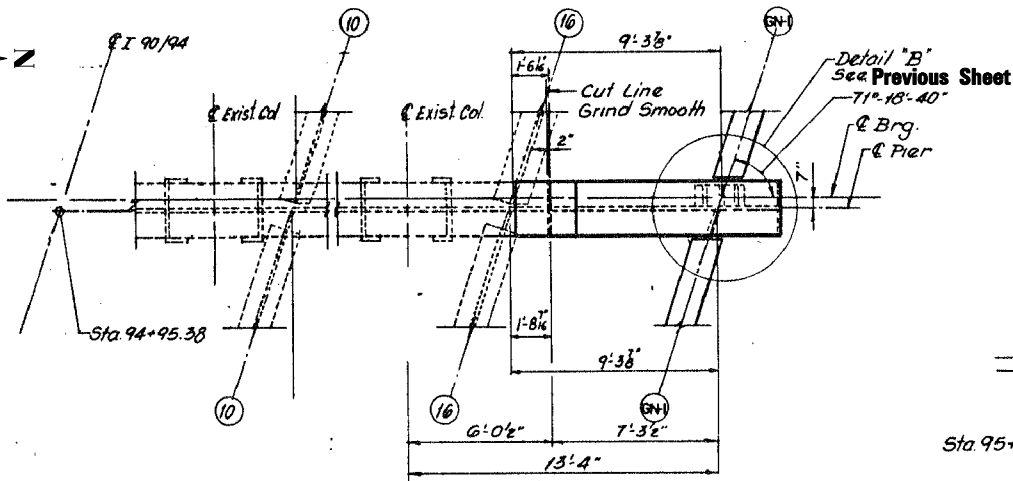
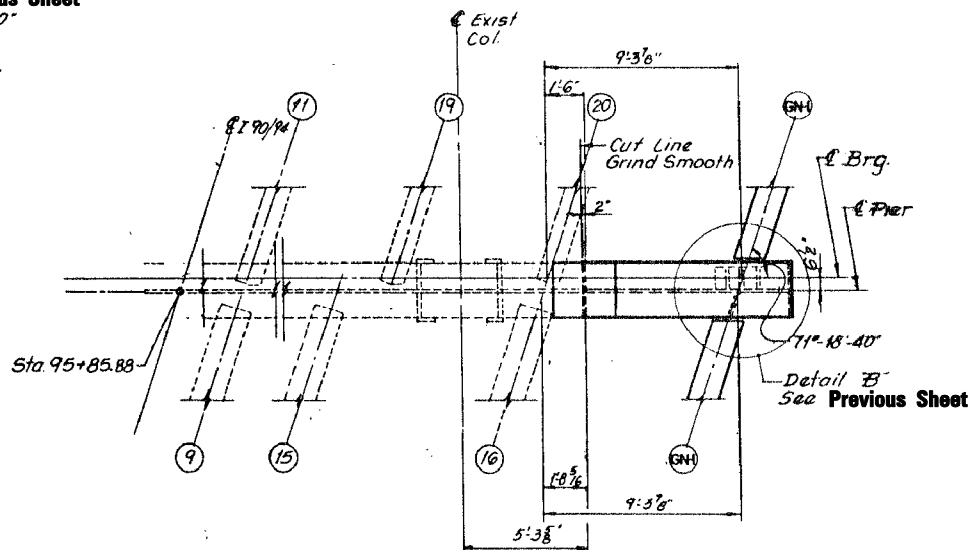


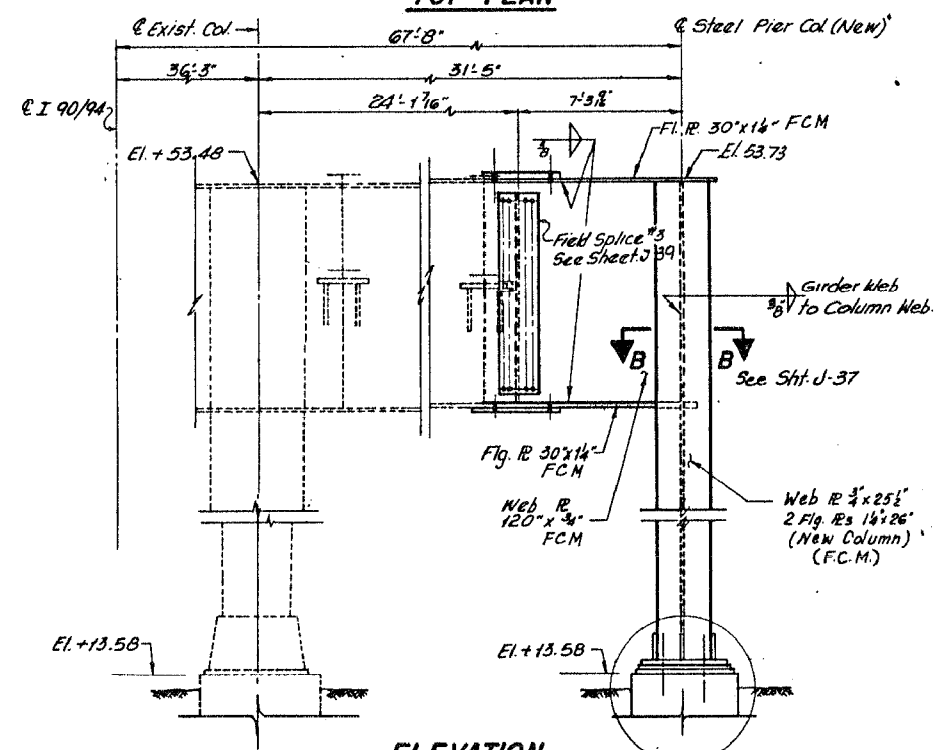
TOP PLAN



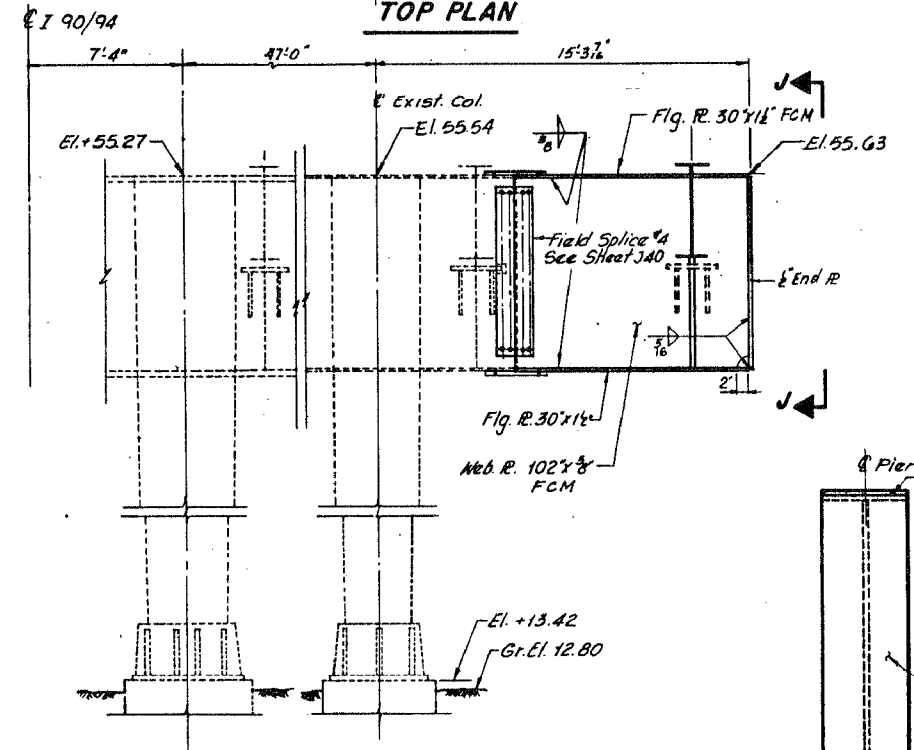
TOP PLAN



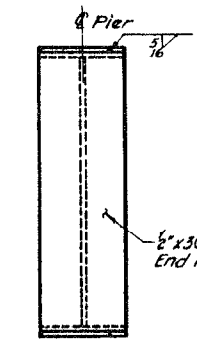
TOP PLAN



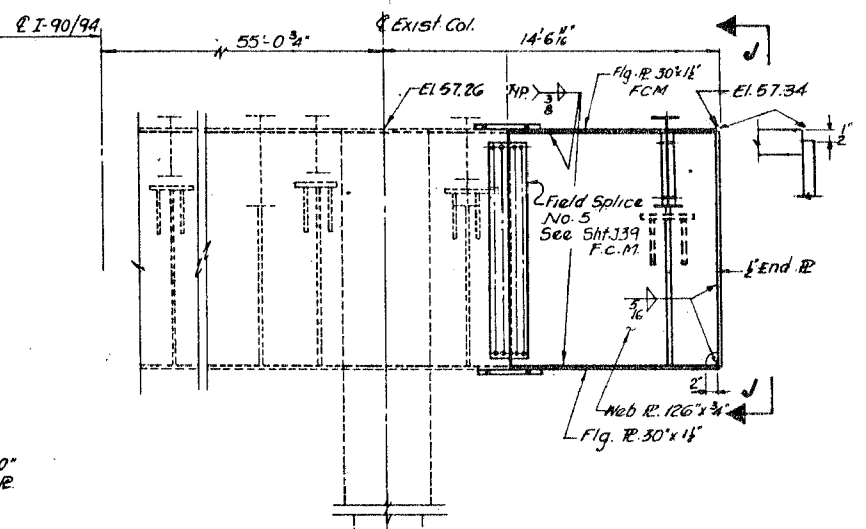
ELEVATION  
PIER 21  
(Looking Upstation)



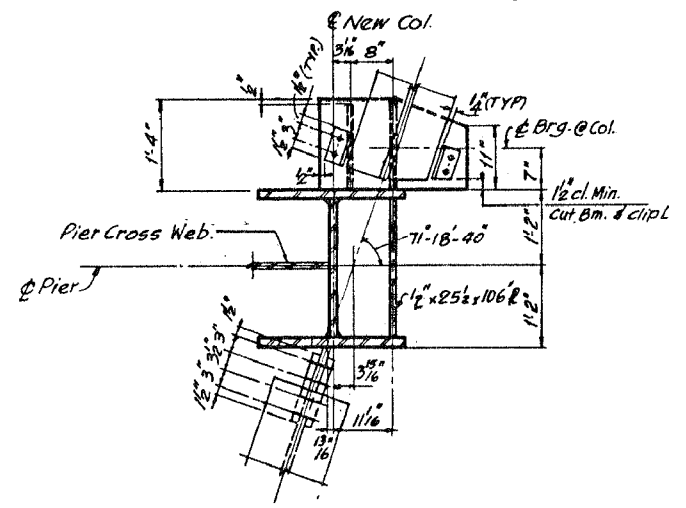
ELEVATION  
PIER 22  
(Looking Upstation)



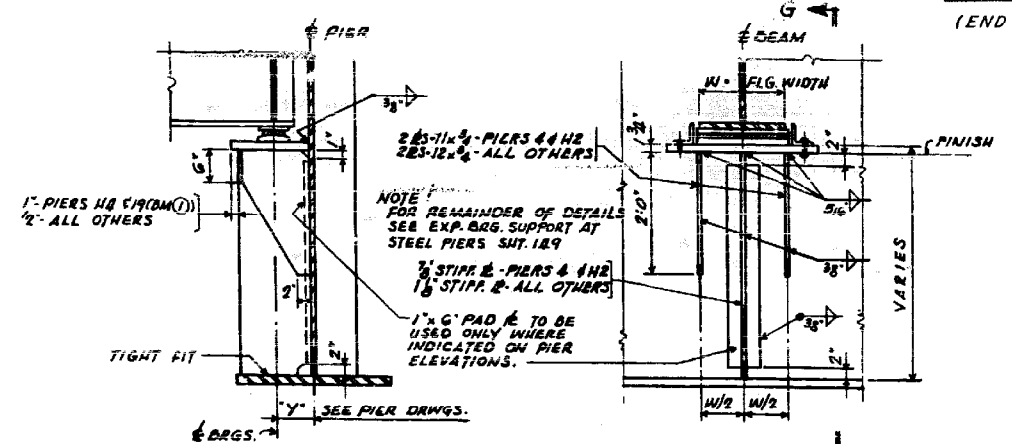
VIEW J-J  
(END PLATE)



ELEVATION  
PIER 23  
(Looking Upstation)



DETAIL 'A'



SECTION 'G-G' ELEVATION  
EXPANSION BEARING SUPPORT AT PIERS 4, 19 THRU 23

STATE OF ILLINOIS  
DEPARTMENT OF TRANSPORTATION

PIER 21, 22 & 23 STEEL DETAILS - LOCATION 2  
STRUCTURE NO. 016-1117

F.A.I. R.T.E. 90/94	SECTION 2011-057-BP	COUNTY COOK	TOTAL SHEETS 98	SHEET NO. 46
CONTRACT NO. 60P73			ILLINOIS FED. AID PROJECT	

FILE NAME =	USER NAME = aread	DESIGNED - AMR	REVISED -
		DRAWN - AMR	REVISED -
		CHECKED - JMH	REVISED -
		DATE - MARCH, 2012	REVISED -

SCALE: NTS SHEET NO. 25 OF 39 SHEETS STA. TO STA.