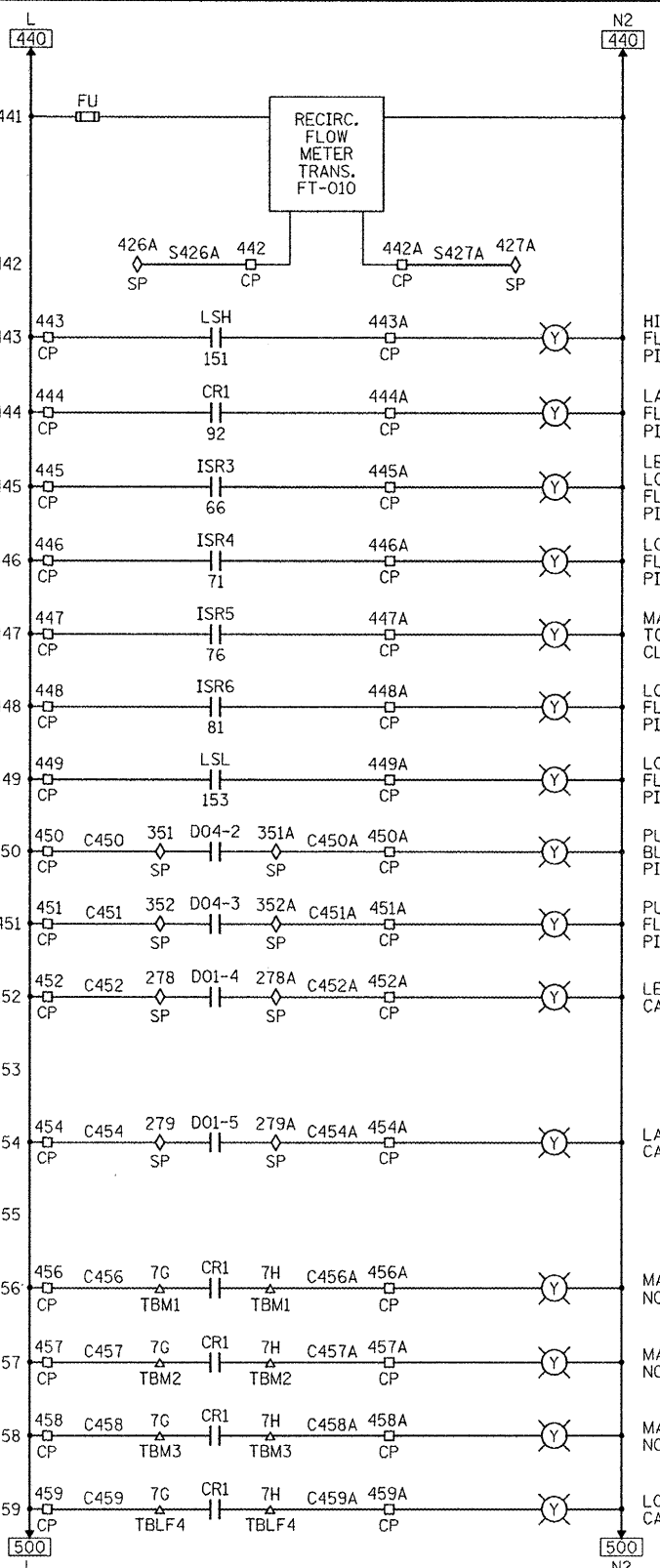
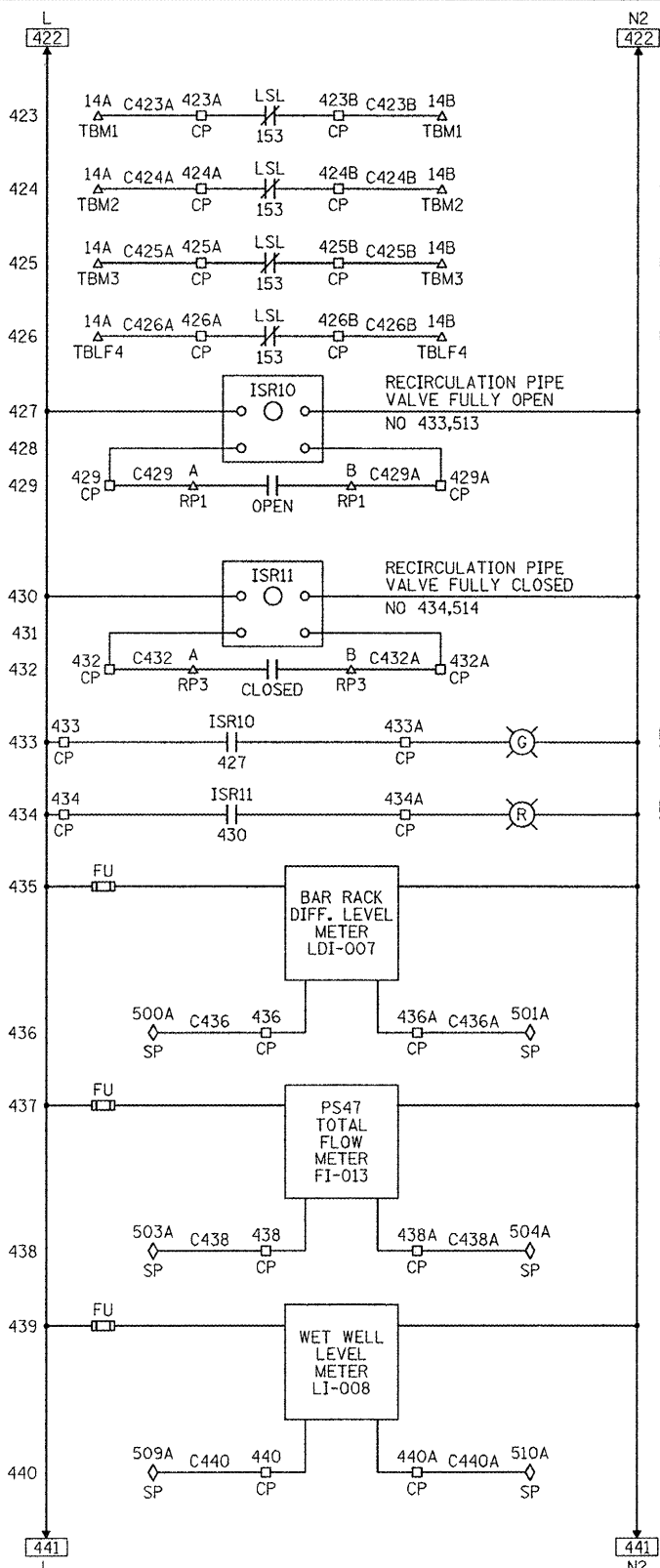


REFER TO RECIRCULATION PIPE VALVE RPV-1 DETAIL ON SHEET E10



- NOTES:**
- SEE SHEETS GI-1 AND GI-2 FOR INSTRUMENTATION SYMBOL LIST, ABBREVIATIONS, AND GENERAL NOTES.
 - ALL INTERCONNECTING WIRES/CABLES BETWEEN PANELS SHALL TERMINATE ON TERMINAL STRIPS AND SHOULD NOT BE DIRECTLY CONNECTED TO DEVICES LOCATED IN THE PANELS.

CPD-3

McDonough Associates Inc.
Engineers/Architects
220 East Randolph Street, Suite 1000
Chicago, Illinois 60601 Phone: (312) 846-6000

DESIGNED <i>DKC</i>	REVISED <i>Addendum A 5-23-12</i>
CHECKED <i>KMY</i>	REVISED -
DRAWN <i>CJM</i>	REVISED -
DATE <i>03/22/2012</i>	CHECKED <i>KMY</i>
	REVISED -

STATE OF ILLINOIS
DEPARTMENT OF TRANSPORTATION

I & C CONTROL PANEL SCHEMATIC
PUMP STATION 47

F.A.P. RTE.	SECTION	COUNTY	TOTAL SHEETS	SHEET NO.
338/TL 59	2011-035-1	DUPAGE	181	154
CONTRACT NO. 60P41				
ILLINOIS FED. AID PROJECT				

SHEET NO. CPD-3 OF 4 SHEETS