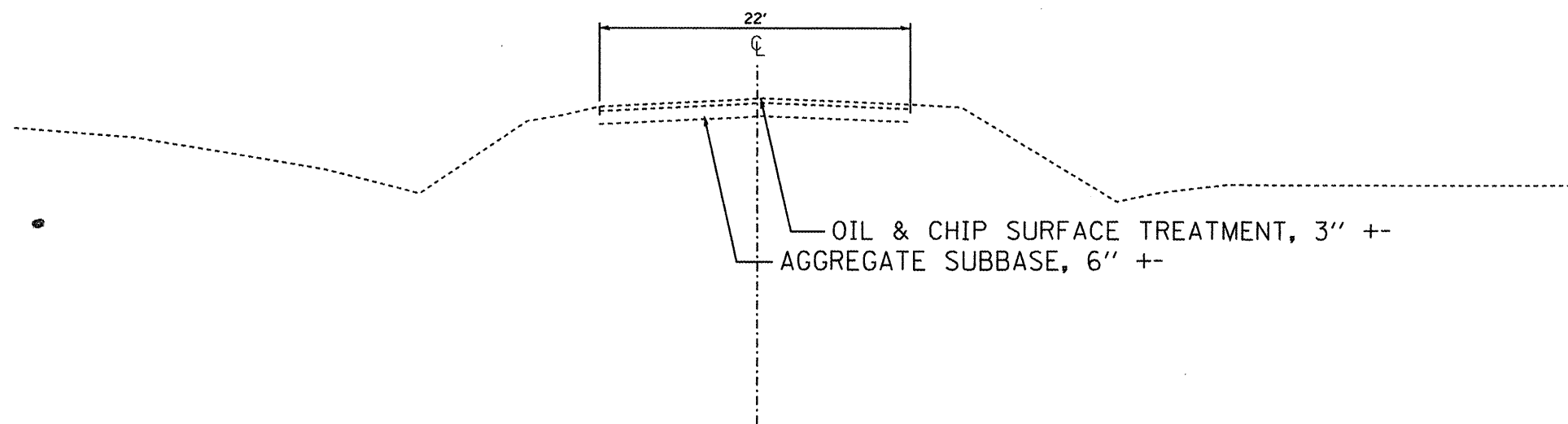


ROUTE NO.	SECTION	COUNTY	TOTAL SHEETS	SHEET NO.
FAS 666	99-00080-00-RP	DOUGLAS	279	13
FED. ROAD DIST. NO. ...	ILLINOIS	PROJECT	C-95-323-07	



TR 54 (425 E) - FAS 665 (CH 26)

EXISTING TYPICAL SECTION

STA. 49+50.00 TO STA. 50+66.70  
 STA. 50+88.70 TO STA. 52+00.00

EXISTING TYPICAL SECTIONS			
Revisions		Surveyed: DLE	FAS ROUTE 666 (CH11 - 200N) DOUGLAS COUNTY  DOUGLAS COUNTY HIGHWAY DEPARTMENT TUSCOLA, ILLINOIS
No.	DATE	INITIALS	
1		Designed: JEC	
2		Drawn: JEC	
3		Checked: ---	
4		Approved: ---	
5		Approved: ---	
Job No.: NA		Date: 5/2007	