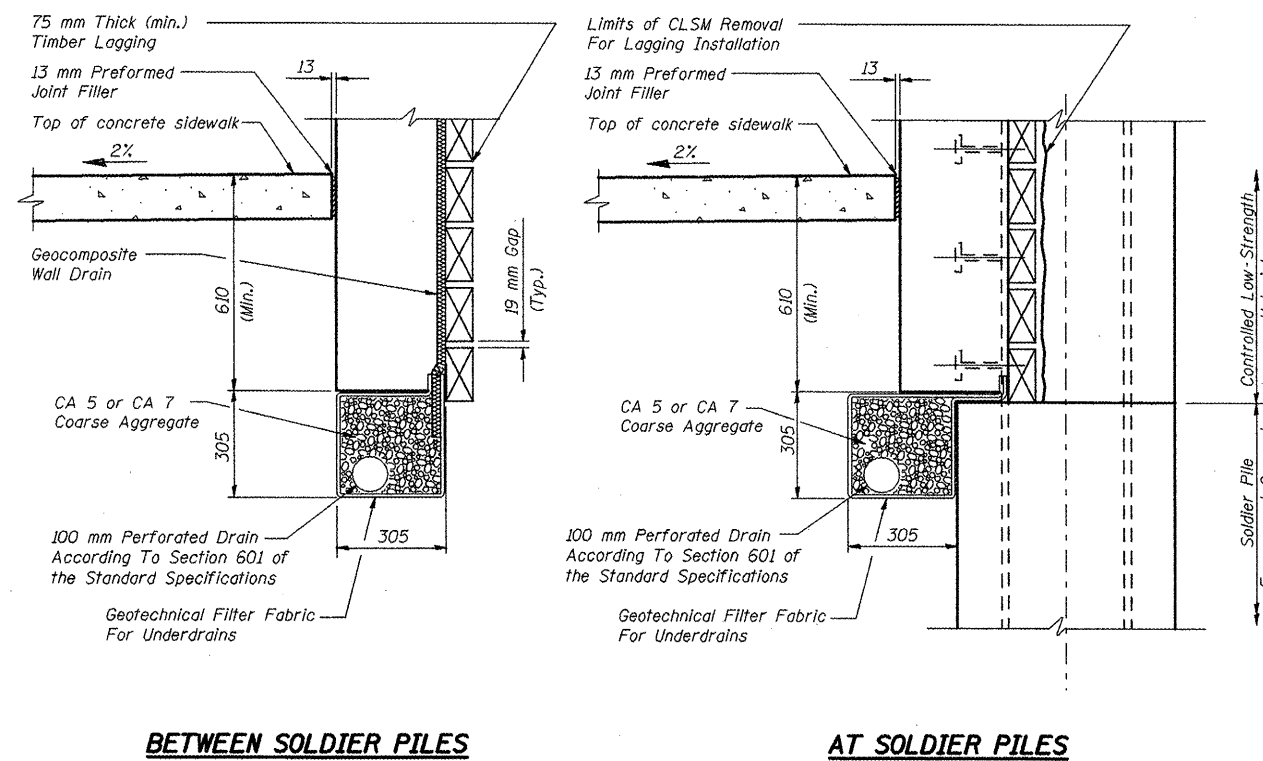
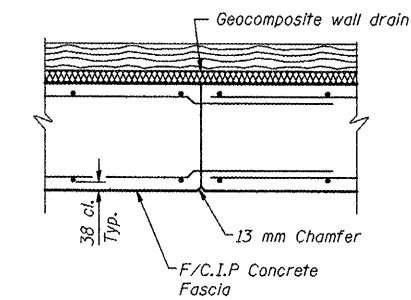


F.A.P. RTE.	SECTION	COUNTY	TOTAL SHEETS	SHEET NO.
399	36R-1,37R-2	TAZEWELL	449	210
STA 7+663.000		TO STA 10+011.000		
FED. ROAD DIST. NO. 4		ILLINOIS FED. AID PROJECT		

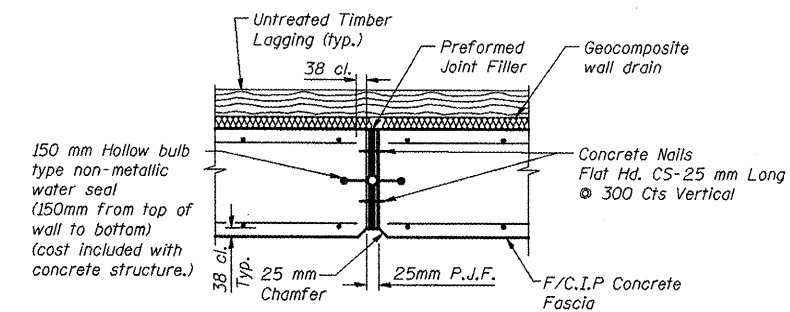
Contract # 88859
SHT. 5-13 of 5-35



UNDERDRAINS DETAIL



SECTION A-A CONSTRUCTION JOINT DETAIL



SECTION B-B EXPANSION JOINT DETAIL

REVISIONS	
NAME	DATE
LCE	2-26-10

ILLINOIS DEPARTMENT OF TRANSPORTATION
IL. RT. 8 - SEG. 2 FAP 399
SECTION 36R-1, 37R-2 TAZEWELL COUNTY
DRILLED SOLDIER PILE WALL
STA 7+750 TO STA 8+150
S.N. 090-8516
DETAILS

DESIGNED BY: J.NEU DRAWN BY: A.HENGELS
CHECKED BY: A.HALL CHECKED BY: J.NEU

