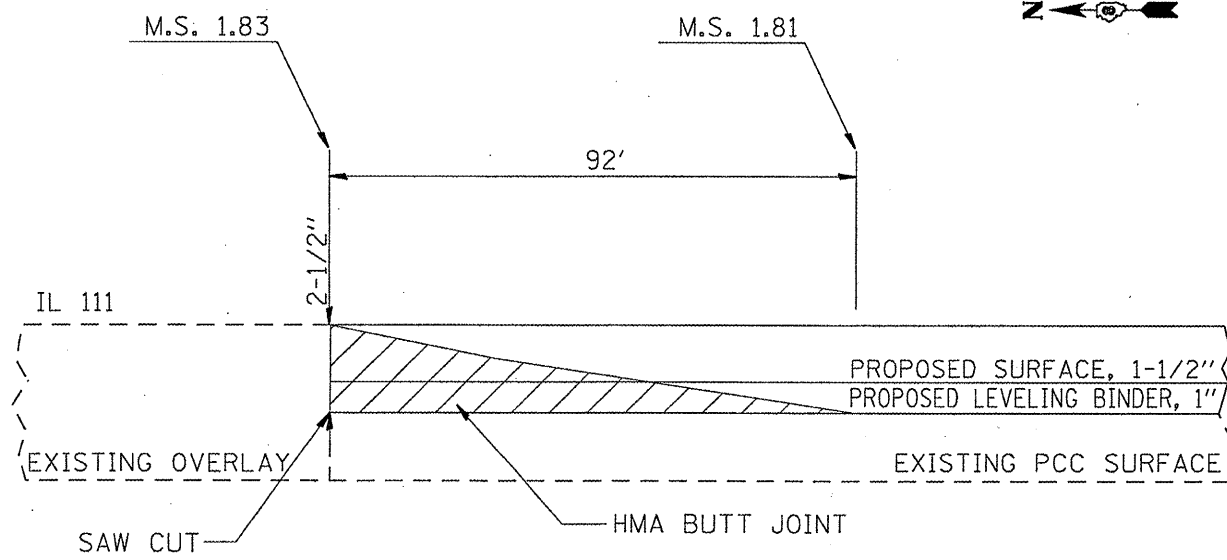
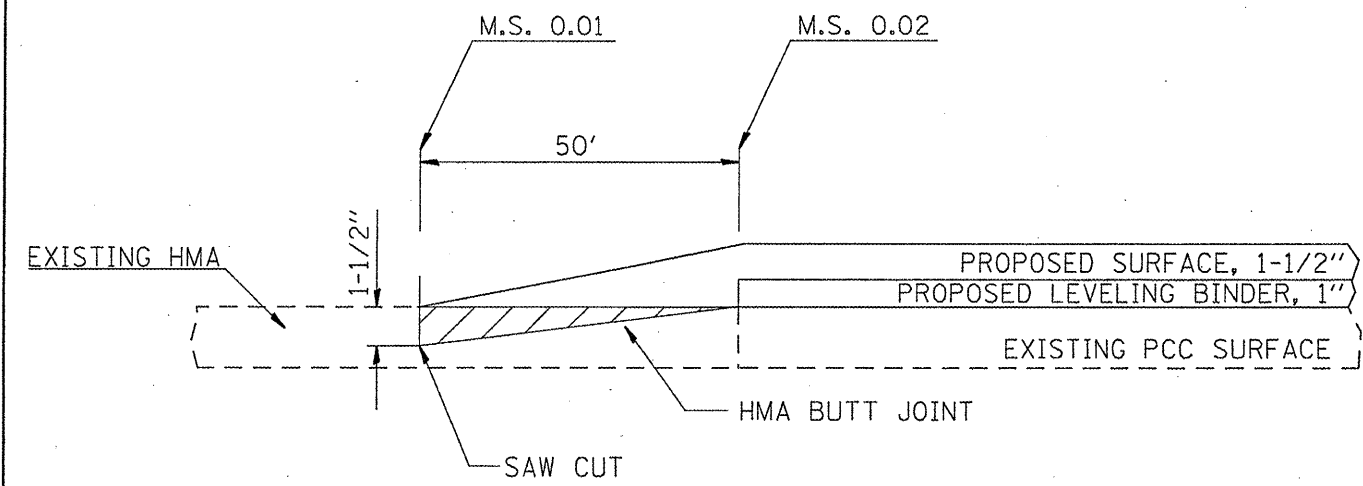
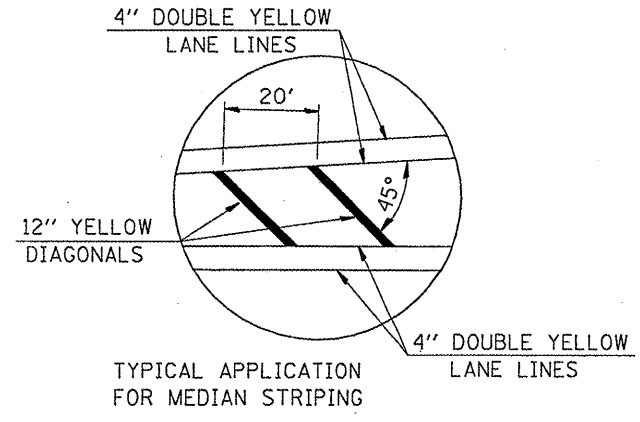


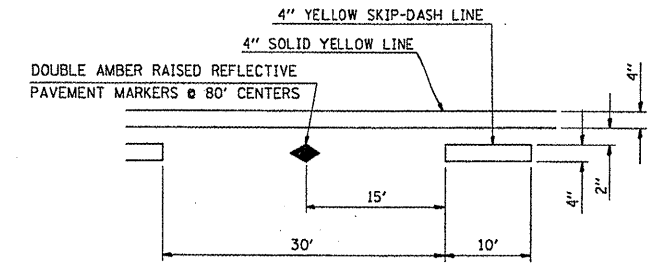
PROPOSED BUTT JOINTS



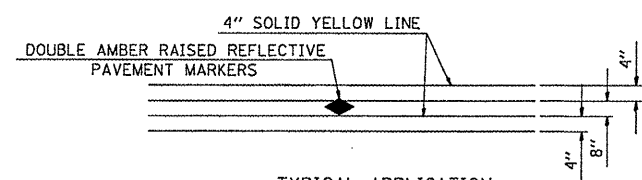
PAVEMENT MARKINGS DETAILS



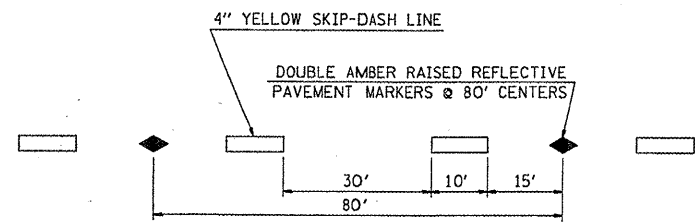
DETAIL 'A'
NOT TO SCALE



TYPICAL APPLICATION FOR
SOLID YELLOW AND SKIP-DASH LINES
WITH RAISED REFLECTIVE PAVEMENT MARKERS
DETAIL 'B'



TYPICAL APPLICATION
FOR DOUBLE YELLOW LANE LINES
WITH RAISED REFLECTIVE PAVEMENT MARKERS
DETAIL 'C'



TYPICAL APPLICATION
FOR YELLOW SKIP-DASH LINES
WITH RAISED REFLECTIVE PAVEMENT MARKERS
DETAIL 'D'

FILE NAME =	USER NAME = #USER#	DESIGNED -	REVISED -
#FILE#		DRAWN -	REVISED -
		CHECKED -	REVISED -
		DATE -	REVISED -

**STATE OF ILLINOIS
DEPARTMENT OF TRANSPORTATION**

BUTT JOINTS AND PAVEMENT MARKING DETAILS

SCALE: _____ SHEET NO. ___ OF ___ SHEETS STA. _____ TO STA. _____

F.A.U. RTE.	SECTION	COUNTY	TOTAL SHEET NO.
9108	104RS-4	MADISON	15
			13
			CONTRACT NO. 76D80

FED. ROAD DIST. NO. _____ ILLINOIS FED. AID PROJECT