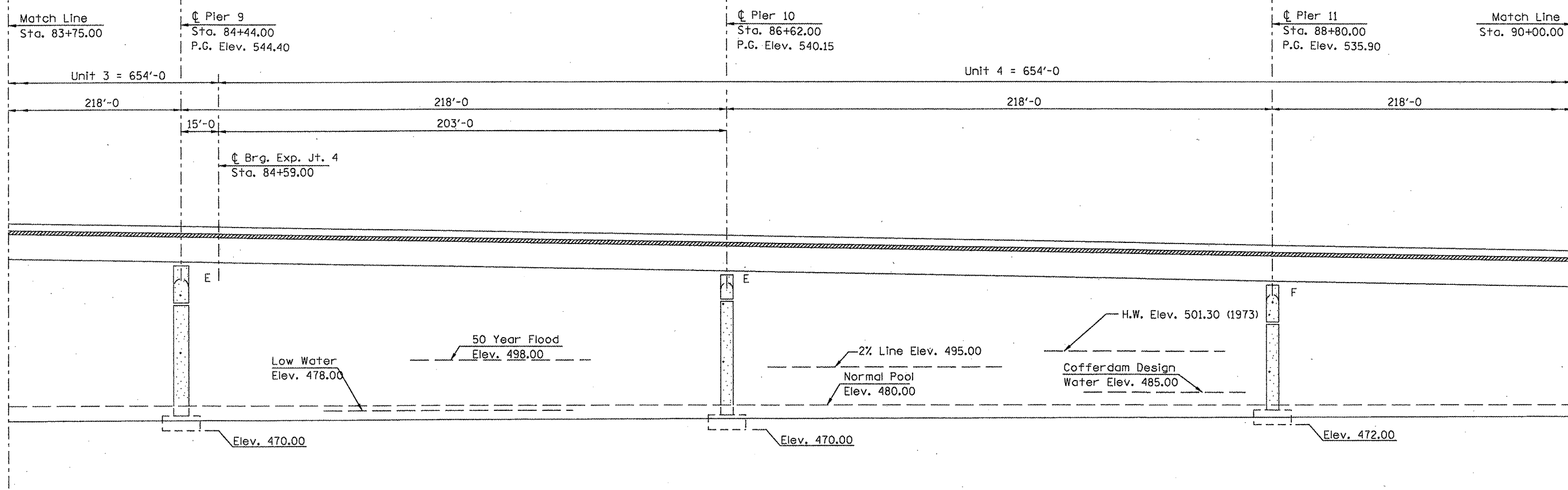
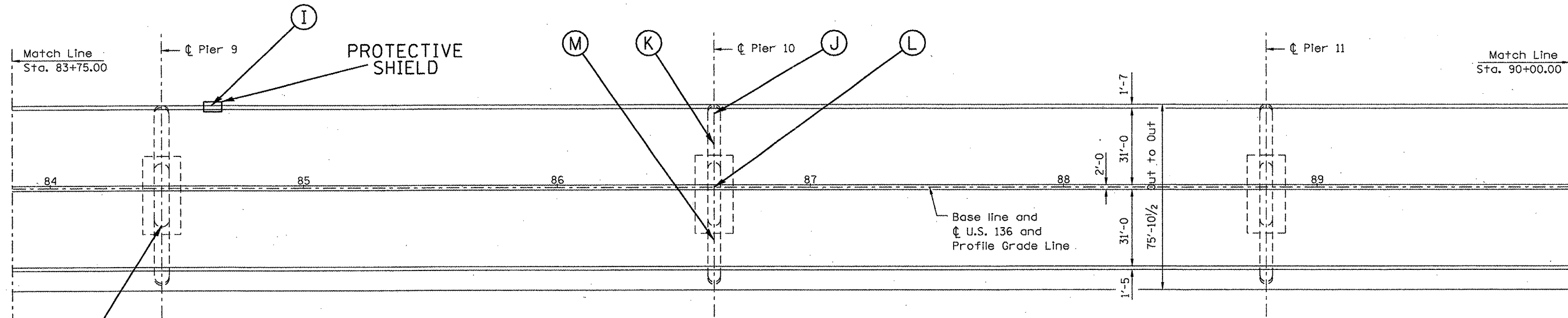


F.A.P. RTE.	SECTION	COUNTY	TOTAL SHEETS	SHEET NO.
315	(22B)1-1	HANCOCK	13	9



LONGITUDINAL SECTION ALONG U.S. 136



○ → DENOTES REPAIR AREA (SEE SCHEDULE)

PLAN

REVISIONS	
NAME	DATE

ILLINOIS DEPARTMENT OF TRANSPORTATION
PLAN AND PROFILE
 FAP 315 (US 136)
 SECTION (22B)1-1
 HANCOCK COUNTY