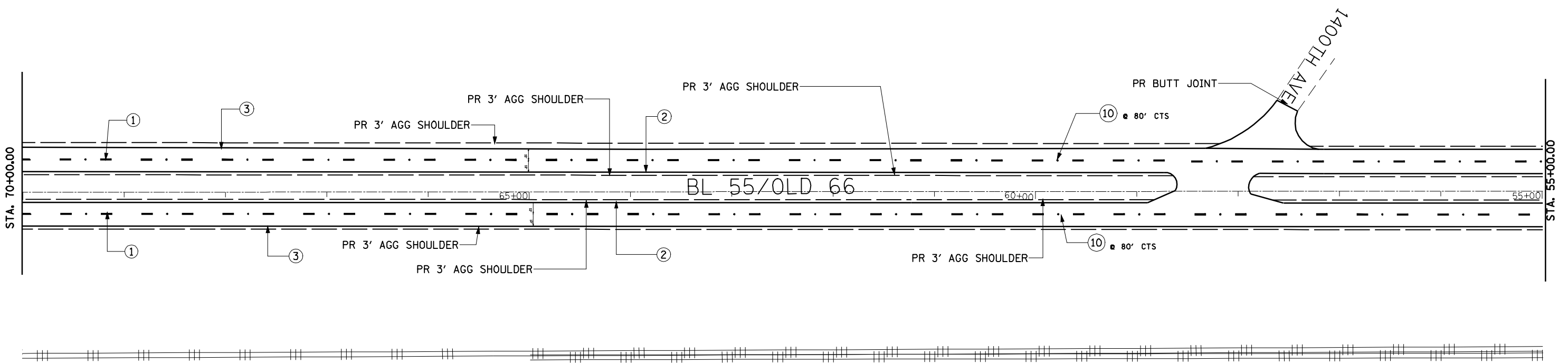
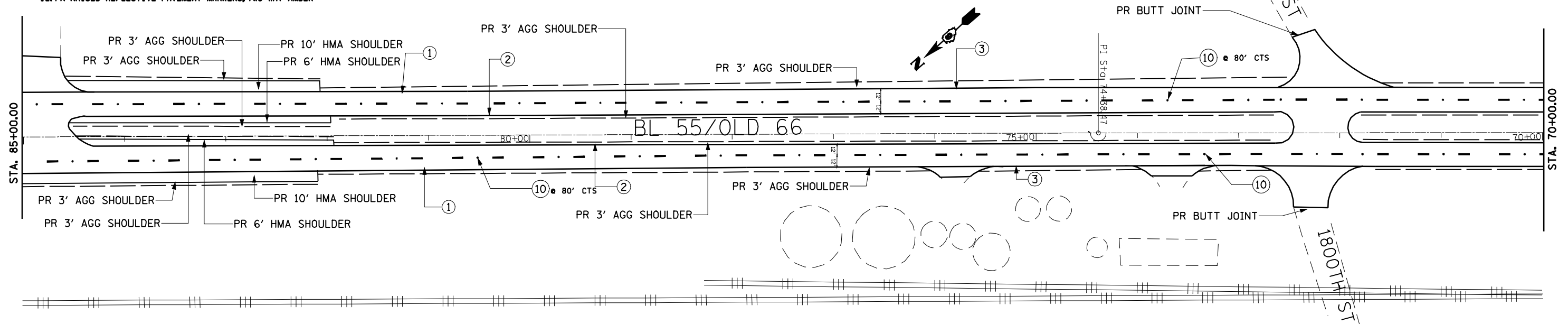


1. PR PREFORMED PLASTIC PAVEMENT MARKING , TYPE B (INLAID), LINE 5" (30' SKIP, 10' WHITE DASH)
2. PR URETHANE PAVEMENT MARKING, LINE 5" (SOLID YELLOW)
3. PR URETHANE PAVEMENT MARKING, LINE 5" (SOLID WHITE)
4. PR URETHANE PAVEMENT MARKING, LINE 6" (SOLID WHITE)
5. PR PREFORMED PLASTIC PAVEMENT MARKING , TYPE B (INLAID), LINE 8" (SOLID WHITE)
6. PR PREFORMED PLASTIC PAVEMENT MARKING , TYPE B (INLAID), LINE 12" (SOLID YELLOW)
7. PR PREFORMED PLASTIC PAVEMENT MARKING , TYPE B (INLAID), LINE 12" (SOLID WHITE)
8. PR PREFORMED PLASTIC PAVEMENT MARKING , TYPE B (INLAID), LINE 24" (SOLID WHITE)
9. PR PREFORMED PLASTIC PAVEMENT MARKING , TYPE B (INLAID), LETTERS & SYMBOLS (SOLID WHITE)
10. PR RAISED REFLECTIVE PAVEMENT MARKERS, ONE WAY CRYSTAL
11. PR RAISED REFLECTIVE PAVEMENT MARKERS, ONE WAY AMBER
12. PR RAISED REFLECTIVE PAVEMENT MARKERS, TWO WAY AMBER



* 1773/ 7706

FILE NAME =	USER NAME = laughlinr1	DESIGNED -	REVISED -	STATE OF ILLINOIS DEPARTMENT OF TRANSPORTATION	PLAN VIEW PART "A" FAS 1773			F.A. RTE.	SECTION	COUNTY	TOTAL SHEETS	SHEET NO.	
er\pwork\PWIDOT\LAUGHLINRL\0151693\st	ests.dgn	DRAWN -	REVISED -		SCALE: 50	SHEET NO.	OF	SHEETS	STA. 85+00.00	TO STA. 55+00.00	LOGAN	31	16
	PLOT SCALE = 100.0000' / IN.	CHECKED -	REVISED -								CONTRACT NO. 72A44		
	PLOT DATE = Apr-09-2010 11:28:38AM	DATE -	REVISED -								ILLINOIS FED. AID PROJECT		