

NOTES:

CONSTRUCTION SHALL BE IN ACCORDANCE WITH THE I.D.O.T. STANDARD SPECIFICATIONS FOR ROAD & BRIDGE CONSTRUCTION ADOPTED JANUARY 1, 2007.

CONCRETE SHALL BE CLASS SI AND IN ACCORDANCE WITH SECTION 503.

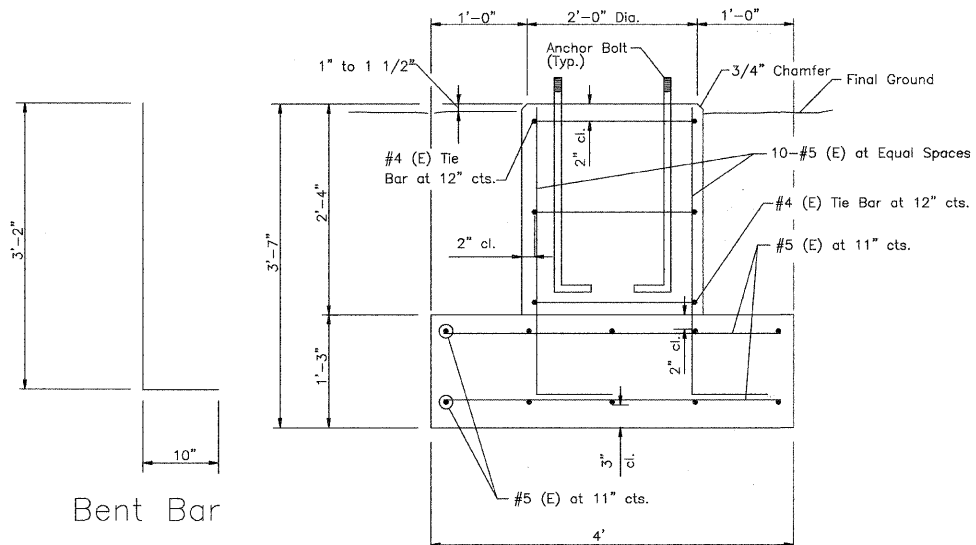
REINFORCING STEEL SHALL BE GRADE 60, EPOXY COATED AND IN ACCORDANCE WITH SECTION 508.

EXCAVATION AND BACKFILL SHALL BE IN ACCORDANCE WITH SECTION 502.

EXCAVATION AND CONSTRUCTION SHALL NOT UNDERMINE THE EXISTING PAVEMENT.

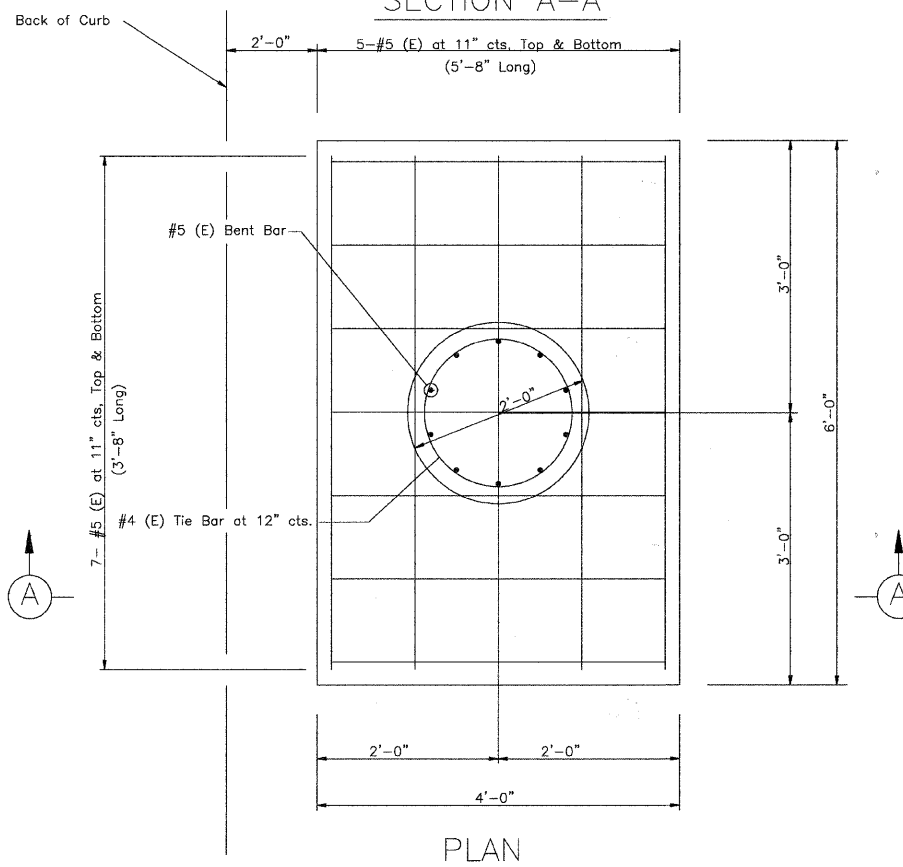
SEE SHOP DRAWINGS FOR ANCHOR BOLT CIRCLE REQUIREMENTS.

FOUNDATION SHALL BE PAID FOR AS "LIGHT POLE FOUNDATION (SPECIAL)".



Bent Bar

SECTION A-A



LIGHT POLE FOUNDATION, SPECIAL

SCALE: 1" = 1'-0"

COMPANY NAME: Smith
 PROJECT CONTACT: #PROJECT CONTACT
 CLIENT: #CLIENT
 FILE NAME: #FILE NAME
 PLOT DRIVER: #PLOT DRIVER
 PEN TABLE: #PEN TABLE



USER NAME = chartke	DESIGNED - JP	REVISED -
PLOT SCALE = NTS	DRAWN - SP	REVISED -
PLOT DATE = 2/11/2010	CHECKED - TH	REVISED -
	DATE - 2/11/10	REVISED -

VILLAGE OF MUNDELEIN

CONSTRUCTION DETAILS
 U.S. ROUTE 45 (LAKE STREET)

SCALE: NTS SHEET NO. 1 OF 1 SHEETS STA. 121+05 TO STA. 126+25

F.A. RTE.	SECTION	COUNTY	TOTAL SHEETS	SHEET NO.
	09-00089-00-LS	LAKE	13	13
CONTRACT NO. 63448				
FED. ROAD DIST. NO. ILLINOIS FED. AID PROJECT				