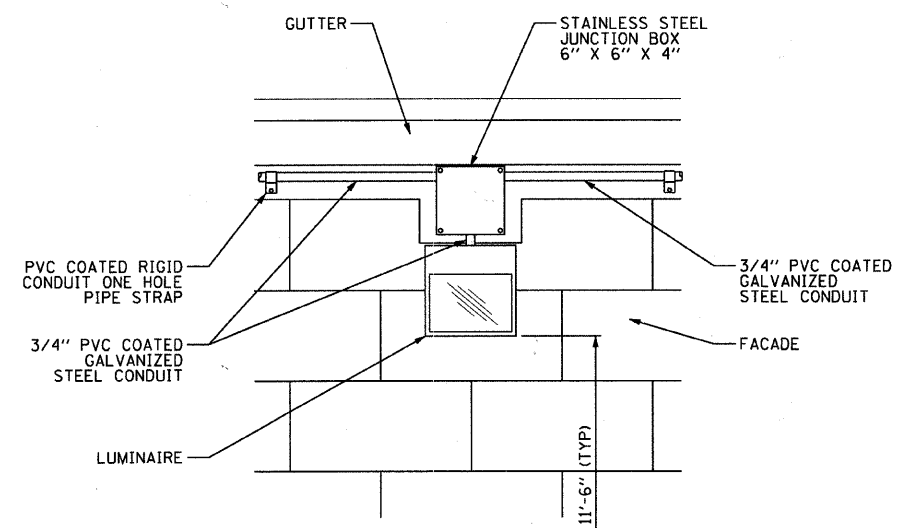
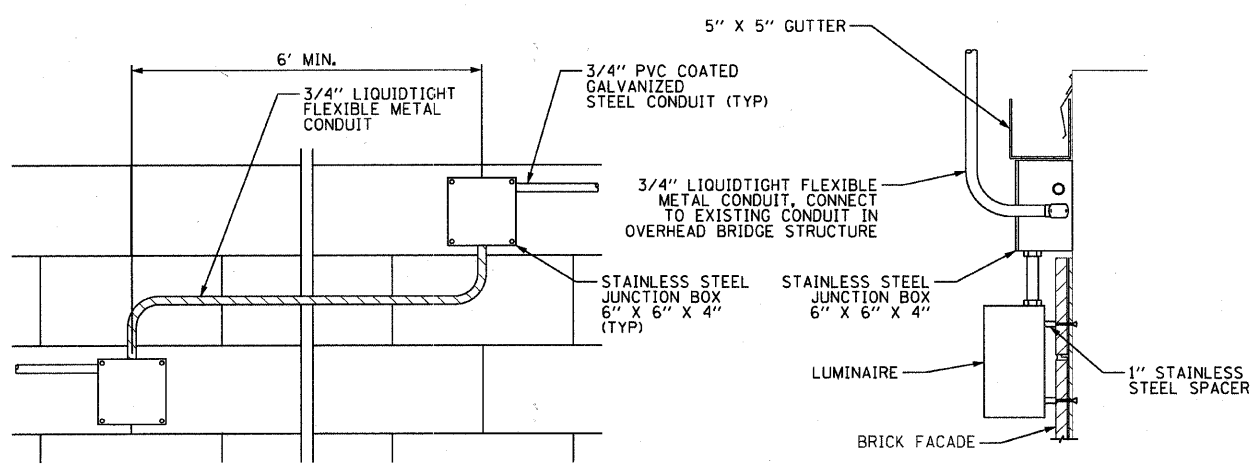


JUNCTION BOX FRONT VIEW

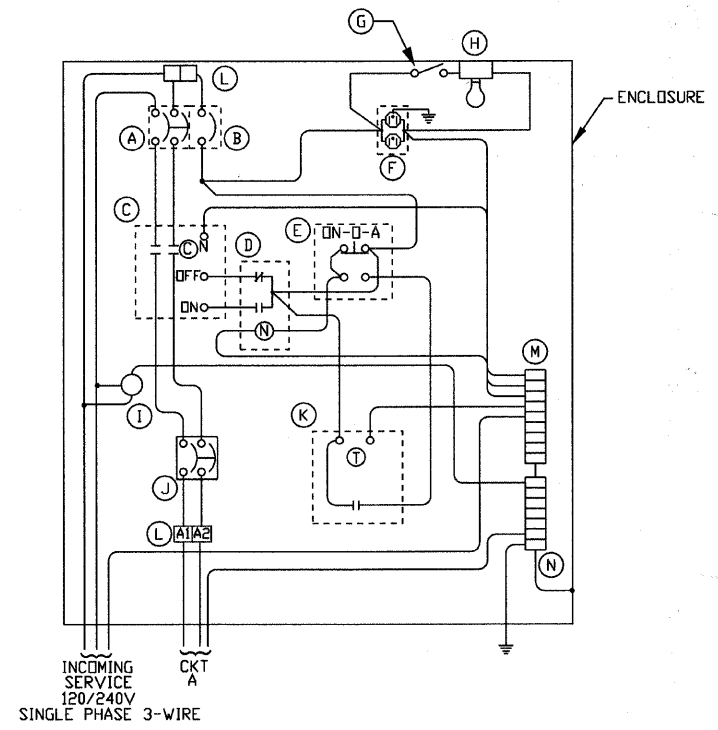


LUMINAIRE FRONT VIEW



CONDUIT EXPANSION JOINT

LUMINAIRE / JUNCTION BOX SIDE VIEW



LIGHTING CONTROLLER WIRING DIAGRAM

ITEM	QTY.	DESCRIPTION
A	1	MAIN CIRCUIT BREAKER, MOLDED CASE, THERMAL MAGNETIC, 2-POLE, 240 V. SINGLE-PHASE, 100 A., BOLT-ON TYPE, TRIP INTERRUPTING RATING OF 22,000 RMS SYMMETICAL AMPERES AT 240 V.
B	1	CONTROL CIRCUIT BREAKER, MOLDED CASE, THERMAL MAGNETIC, SINGLE-POLE, 120 V. SINGLE PHASE 20 A. BOLT-ON TYPE, TRIP INTERRUPTING RATING OF 14,000 RMS SYMMETICAL AMPERES AT 120 V.
C	1	LIGHTING CONTACTOR, MECHANICALLY HELD, CUTLER HAMMER A202K3BMM 100 A. 2-POLE, 600 V. WITH 120 COIL
D	1	CONTROL RELAY CUTLER HAMMER D3PR2 RATED 12 A. AT 120 VAC
E	1	ON-OFF-AUTO 3-POSITION SELECTOR SWITCH GE CR104P HEAVY DUTY SWITCH, RATED FOR 10 A. AT 600 VAC.
F	1	GFCI RECEPTACLE, 120 V., 20 A. SPEC. GRADE, NEMA CONFIG. 5-20R
G	1	SPDT MOMENTARY NORMALLY OPEN, NORMALLY CLOSED PUSHBUTTON SWITCH CUTLER HAMMER 84F1063 RATED 15 A. AT 120 V.
H	1	60 WATT LIGHT FIXTURE, VAPOR TIGHT, WITH GLOBE, GUARD AND MOUNTING BOX.
I	1	SECONDARY SURGE ARRESTER SQUARE D SDSA1175, 175 VAC PHASE-TO-GROUND MAXIMUM
J	1	BRANCH CIRCUIT BREAKER, MOLDED CASE, THERMAL MAGNETIC, 2-POLE, 240 V. SINGLE-PHASE, 30A. TRIP INTERRUPTING RATING 10,000 RMS SYMMETICAL AMPERES AT 240 V.
K	1	ASTRONOMIC MICROPROCESSOR BASED 2-CHANNEL TIMER
L	4	TERMINAL BLOCK RATED 600 V., 85 A.
M	1	COPPER NEUTRAL BUS
N	1	COPPER GROUND BUS

COPYRIGHT © 2008 BY BAXTER & WOODMAN, INC. ALL RIGHTS RESERVED. 12/22/2010
 PROJECT: VILLAGE OF RICHTON PARK, ILLINOIS - FAU ROUTE 1632 (SAUK TRAIL) STREETScape
 DRAWING NO. 1632-00041-00-LS
 DATE: 12/22/2010



DESIGNED - AS	REVISED -
DRAWN - KAR	REVISED -
CHECKED - TMS	REVISED -
DATE - 12-08-08	REVISED -

VILLAGE OF RICHTON PARK, ILLINOIS
FAU ROUTE 1632 (SAUK TRAIL)
STREETScape

ELECTRICAL DETAILS
 SCALE: NONE STA. TO STA.

FAU RTE. 1632	SECTION 06-00041-00-LS	COUNTY COOK	TOTAL SHEETS 11	SHEET NO. 10
CONTRACT NO. 63447				
FED. ROAD DIST. NO. ILLINOIS FED. AID PROJECT				