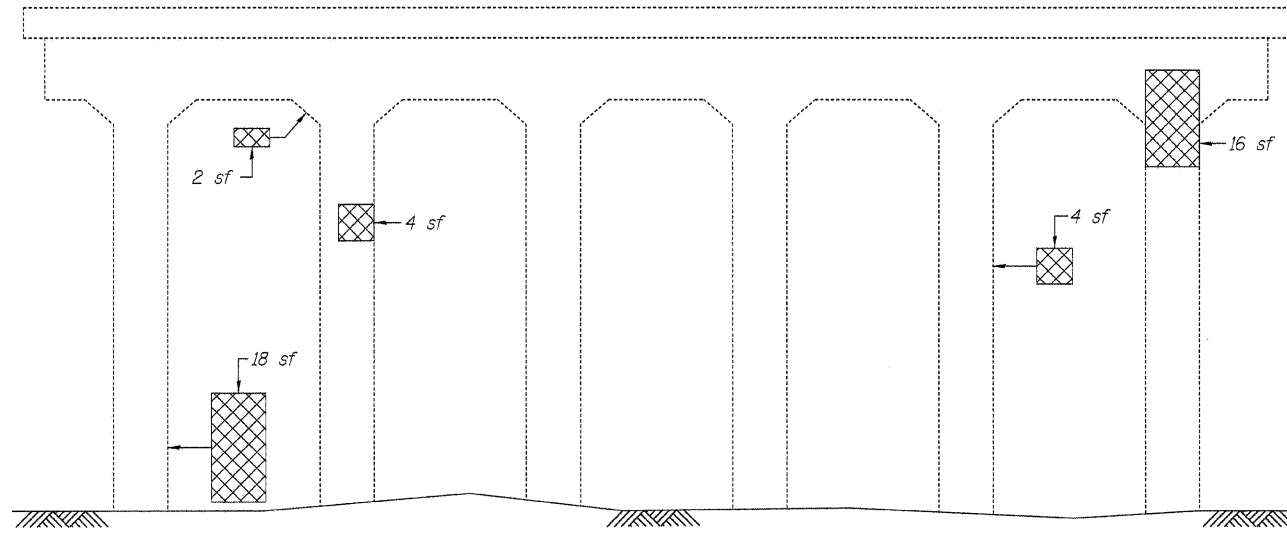
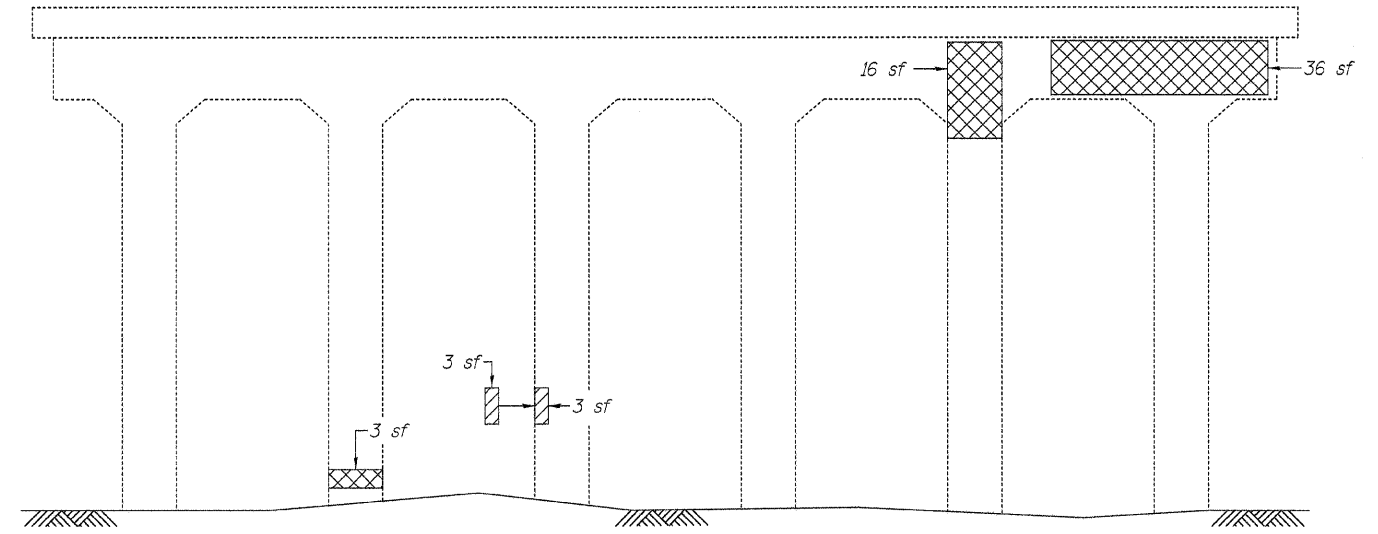


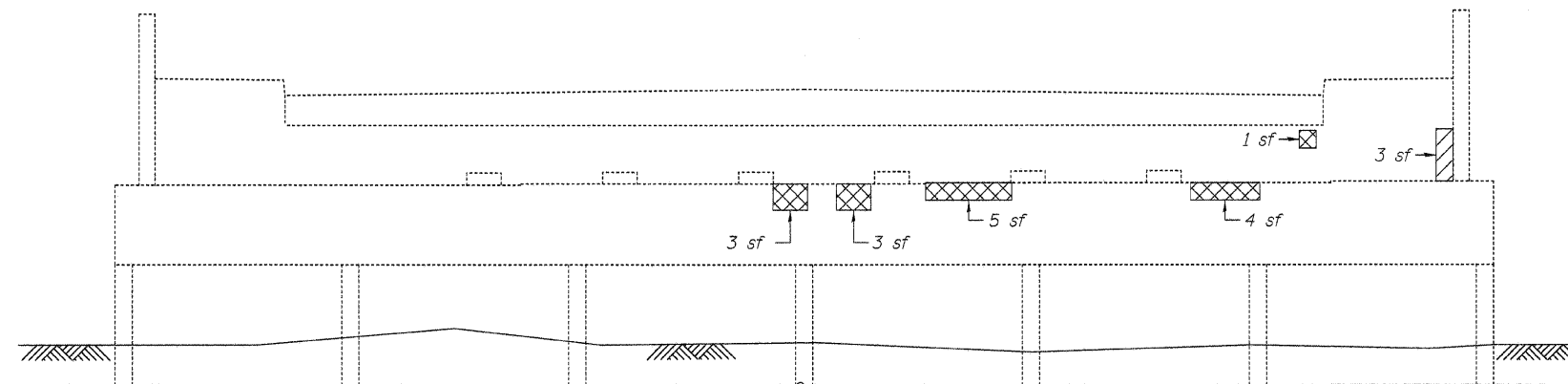
STATE OF ILLINOIS
DEPARTMENT OF TRANSPORTATION



PIER 3
(Looking South)



PIER 3
(Looking North)



SOUTH ABUTMENT ELEVATION
(Looking South)

LEGEND

- Structural Repair of Concrete
(Depth Equal to or Less Than 5 in.)
- Structural Repair of Concrete
(Depth Greater Than 5 in.)

sf Square Feet

BILL OF MATERIAL

Item	Unit	Total
Structural Repair of Concrete (Depth Equal to or Less Than 5 in.)	Sq. Ft.	9
Structural Repair of Concrete (Depth Greater Than 5 in.)	Sq. Ft.	115

Note:
Repair of the existing pier and abutment shall include but may not be limited to the areas shown. The actual areas to be repaired will be determined by the Engineer at the time of construction.

SUBSTRUCTURE REPAIR DETAILS-3
STRUCTURE NO. 016-0315

LIN ENGINEERING, LTD. Consulting Engineers Chatham, Illinois	SHEET NO. 15	F.A.P. RTE.	SECTION	COUNTY	TOTAL SHEETS	SHEET NO.
	17 SHEETS	348	(0708.1&2323.5)B	COOK	47	26
CONTRACT NO. 60D69						
ILLINOIS FED. AID PROJECT						

Designed By: RH
Date: March 2010

Checked By: MTH
File: 016-0315.dgn

Drawn By: RH