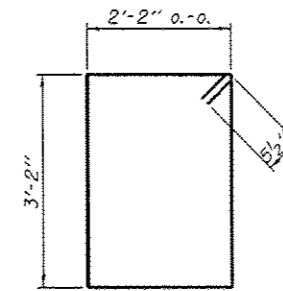
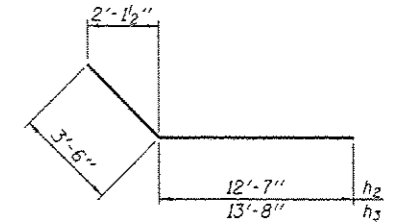


**FIELD CUTTING DIAGRAM**

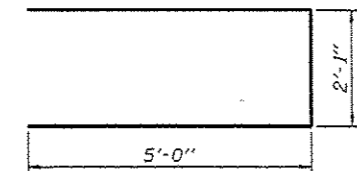
Order  $v_2$  full length. Cut as shown and use remainder of bars in opposite face.



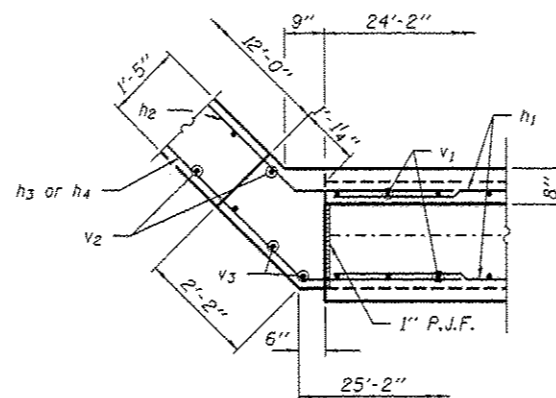
**BAR s**



**BARS  $h_2$  &  $h_3$**

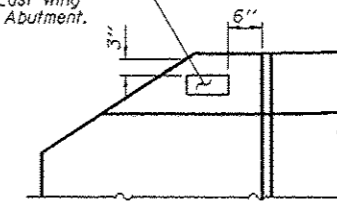


**BAR u**



**CORNER DETAIL**

Set Name Plate in outside face of East Wing of South Abutment.



**NAME PLATE LOCATION**

FILE NAME * 120057-shr-bridge.dgn	USER NAME *	DESIGNED - D.W.T.	REVISED -	<b>STATE OF ILLINOIS HARDIN COUNTY HIGHWAY DEPARTMENT</b>	<b>SOUTH ABUTMENT DETAILS STRUCTURE NO. 035-3052</b>	T.R.	SECTION	COUNTY	TOTAL SHEETS	SHEET NO.	
HAMPTON, LENZINI AND RENWICK, INC. 300 STEVENSON DRIVE, SUITE 201 SPRINGFIELD, ILLINOIS 62761	PLOT SCALE :	CHECKED - S.W.M.	REVISED -			9T	07-01161-00-BR	HARDIN	15	11	
<b>ELR</b> ILLINOIS PROFESSIONAL DESIGN FIRM L3 / P.E. / S.E. COMP. / 184.000000	PLOT DATE * 3/1/2013	DRAWN - D.A.B.	REVISED -			COUNTY UNIT ROAD DISTRICT	CONTRACT NO. 99491		ILLINOIS FED. AID PROJECT		
		CHECKED - S.W.M.	REVISED -			SHEET NO. 7 OF 11 SHEETS					