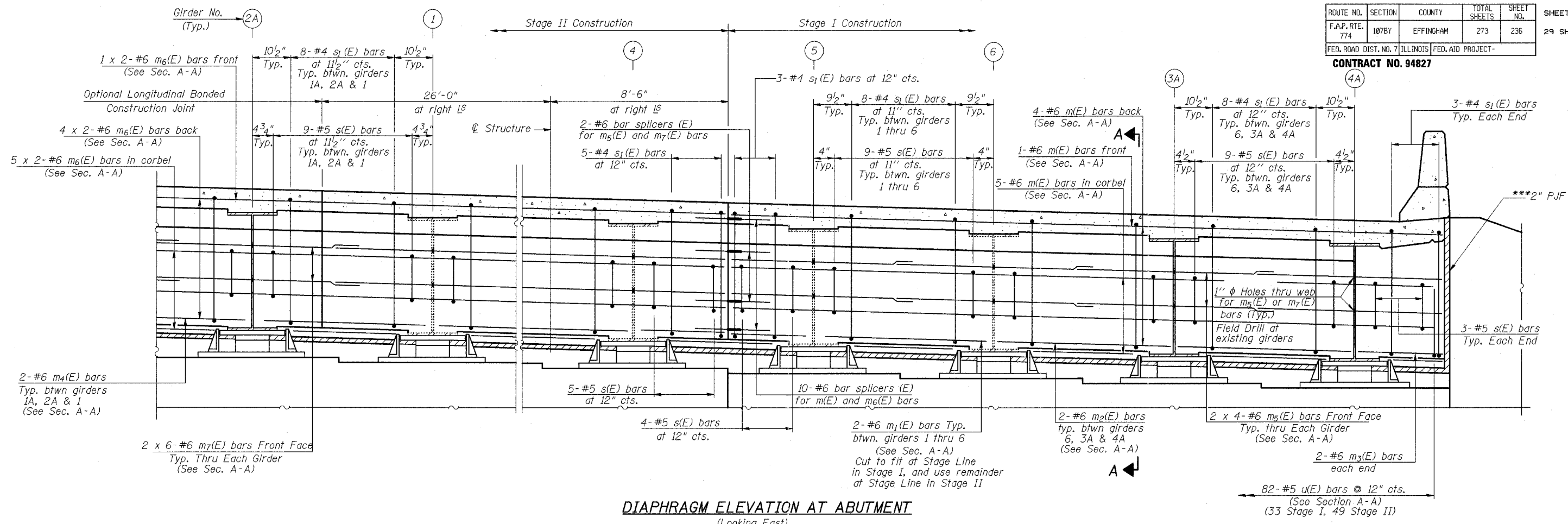
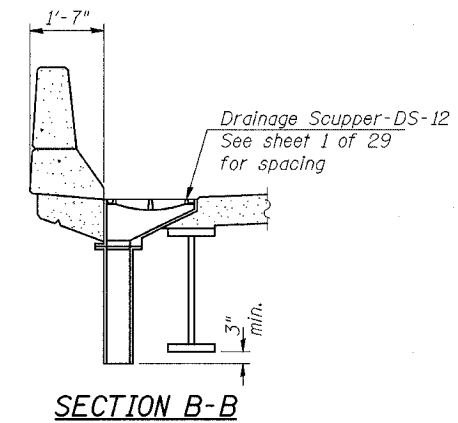


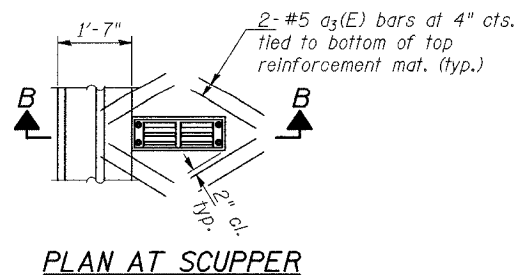
CONTRACT NO. 94827



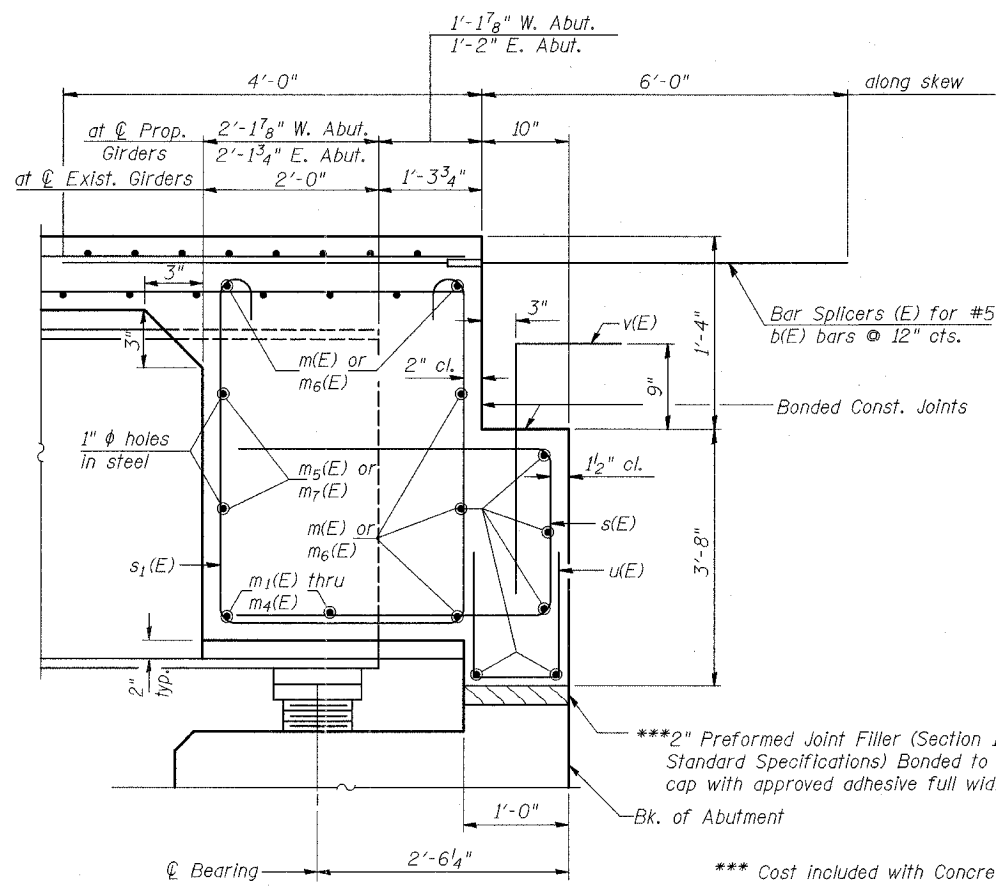
DIAPHRAGM ELEVATION AT ABUTMENT
(Looking East)



SECTION B-B



PLAN AT SCUPPER



SECTION A-A

Dimensions at right angles to abutment, except as shown.
(Diaphragms not shown)

NOTES

Cost for Field drilling of 1" ϕ holes for $m_5(E)$ or $m_7(E)$ bars shall be included with Concrete Superstructure. Reinforcement bars in diaphragm and around scuppers are billed with superstructure on sheet 9 of 29. Concrete in end diaphragms is included with Concrete Superstructure on sheet 9 of 29. For details of bars $s(E)$, $s_1(E)$ & $u(E)$ see sheet 9 of 29. The $s(E)$, $s_1(E)$ & $u(E)$ bars shall be placed parallel to the beams. Spacing for these bars shall be at right angles to the beams. For anchor bolt details see sheet 16 of 29. Reinforcement bars designated (E) shall be epoxy coated. Bars indicated thus 1 x 2-#5 etc. indicates 1 line of bars with 2 lengths per line. See sheet 26 of 29 for bar splicer details. See Section thru abutment on sheet 2 of 29 for back of abutment treatment.

MIN. BAR LAP
#6 bar = 2'-9"

*** Cost included with Concrete Superstructure.

SHEET TITLE		DIAPHRAGM AND DRAINAGE SCUPPER DETAILS	
PROJECT	IL RTE. 32/33 OVER LITTLE WABASH RIVER F.A.P. RTE. 774 SECTION 107BY EFFINGHAM COUNTY STATION 1011+50.17 STRUCTURE NO. 025-0078	PROJECT NO.	02017
SCALE		DATE	
DRAWN BY	TFG	CHECKED BY	CJB/MCB
DRAWING NO.			
COOMBE-BLOXDORF P.C. Engineers/Land Surveyors Springfield, Illinois Design Firm License No. 184-002703			10
			OF 29 SHTS