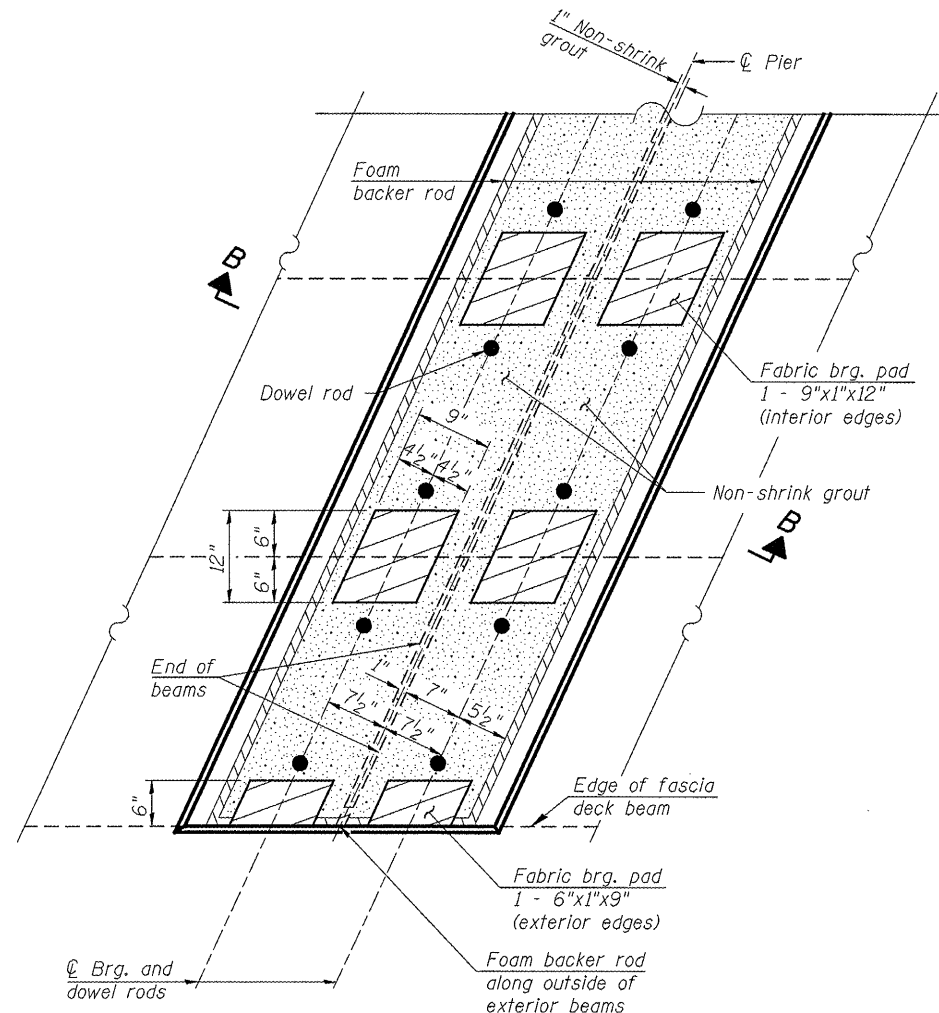


PLAN



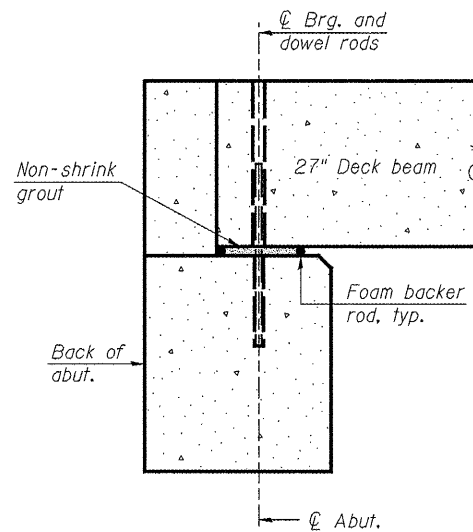
PLAN

**NOTE:**

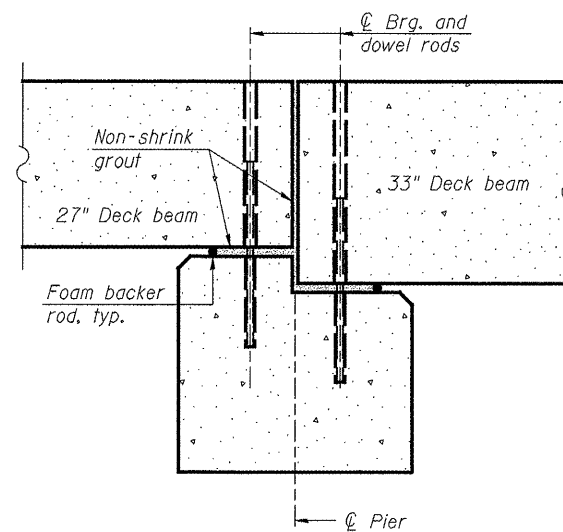
The bearing seat surfaces shall be adjusted by shimming the bearing to assure firm and even bearing prior to placement of grout. 2-1/8" fabric adjusting shims of the dimensions of the exterior bearing pad shown shall be provided for each bearing.

**NOTE:**

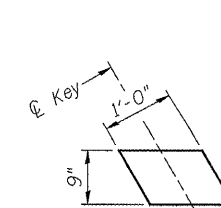
The bearing seat surfaces shall be adjusted by shimming the bearing to assure firm and even bearing prior to placement of grout. 2-1/8" fabric adjusting shims of the dimensions of the exterior bearing pad shown shall be provided for each bearing.



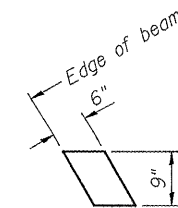
SECTION A-A



SECTION B-B



FABRIC BEARING PAD  
(Interior)



FABRIC BEARING PAD  
FIXED  
(Exterior)

**NOTE:**

All bearing pads shall be 1" thick.  
Exterior bearing pads shall be used at crown break.  
Two 1/8" fabric adjusting shims of the dimensions of the exterior bearing pad shall be provided for each bearing pad location.

FILE: S:\PROJECTS\2011\224011.Lee.Co.DESIGN\STRUCTURE\224011.Fixed.Bearing.Details.dgn