

ALUMINUM POLE CAP

CCTV CAMERA

4-1/2" DIAMETER SCHEDULE 80 ALUMINUM POLE, 20 FT. LENGTH (INSTALLED VERTICAL AND PLUMB)

ADJUSTABLE MAST ARM CLAMP
COMPONENT PRODUCTS, INC.
CPI-MAB-1070 (8"-10" DIAMETER)
CPI-MAB-1071 (12"-14" DIAMETER)
OR APPROVED EQUAL

THE CONTRACTOR SHALL BE RESPONSIBLE FOR VERIFYING THAT THE CAMERA MAST COMPONENTS FIT CORRECTLY AND ARE COMPATIBLE WITH THE SIGN STRUCTURE. THE MANUFACTURER OF THE SIGN STRUCTURE SHALL APPROVE THE CAMERA MAST DESIGN. THE COST OF FURNISHING AND INSTALLING THE CAMERA MAST SHALL BE INCLUDED IN THE COST OF THE SIGN STRUCTURE.

THE CONTRACTOR SHALL FURNISH AND INSTALL ALL GALVANIZED STEEL UNISTRUT, BRACKETING AND HARDWARE REQUIRED FOR CABINET INSTALLATION ONTO THE SIGN STRUCTURE VERTICAL SUPPORTS. THE CONTRACTOR SHALL SUBMIT CATALOG CUT SHEETS FOR ALL MATERIALS AND DETAIL DRAWINGS FOR PROPOSED MOUNTING METHODS PRIOR TO COMMENCING WORK. ALL MATERIAL SHALL BE APPROVED BY THE ENGINEER PRIOR TO INSTALLATION. THE COST OF THIS WORK SHALL BE INCLUDED IN THE COST OF THE EQUIPMENT CABINET.

1-5#8" X 1-5/8" 12 GA. GALVANIZED STEEL UNISTRUT (ALL CUT ENDS TO BE COLD-GALVANIZED)

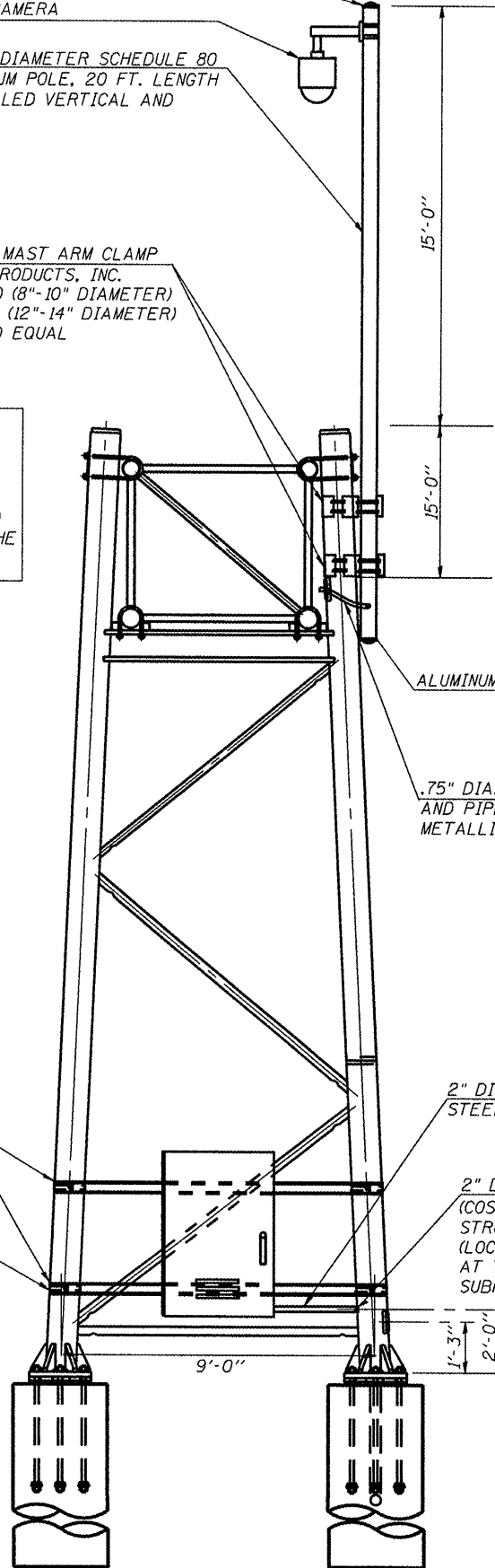
STAINLESS STEEL BANDING AND BUCKLE (TYPICAL)

ALUMINUM POLE CAP

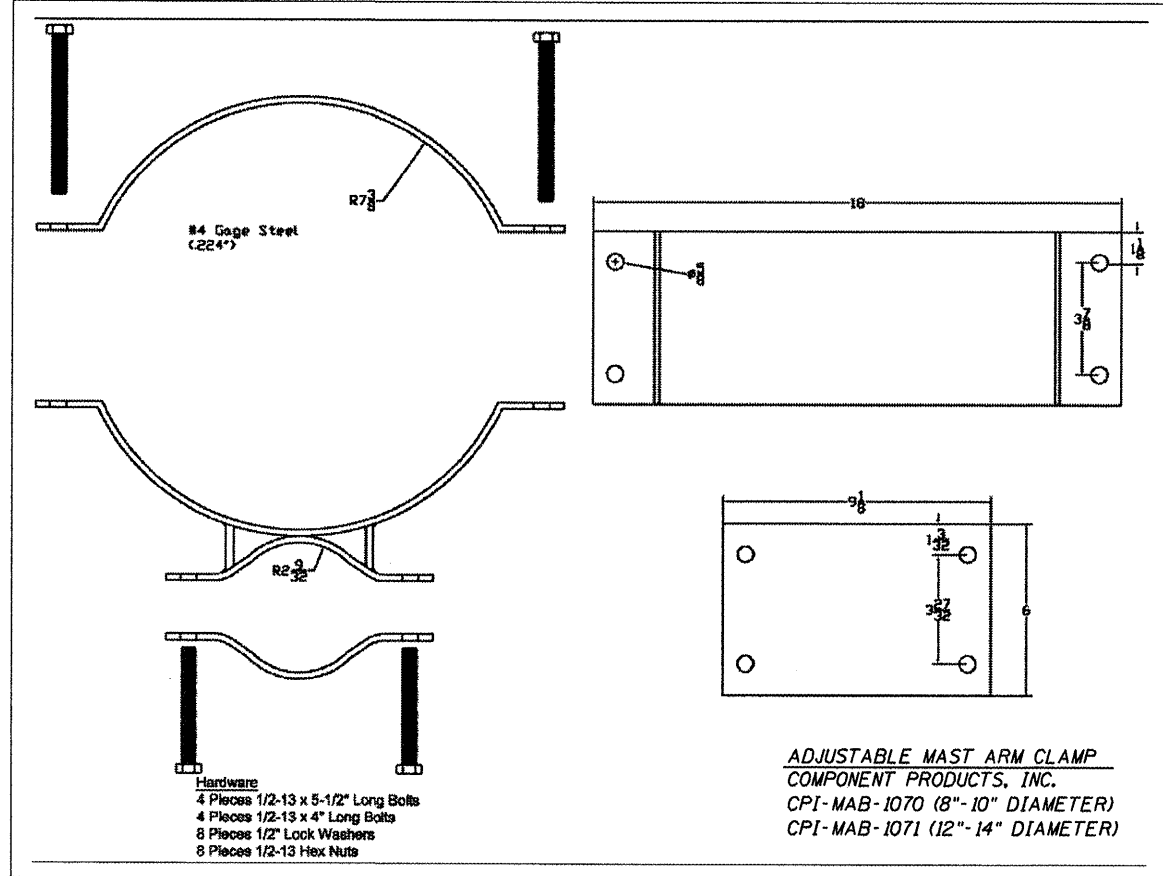
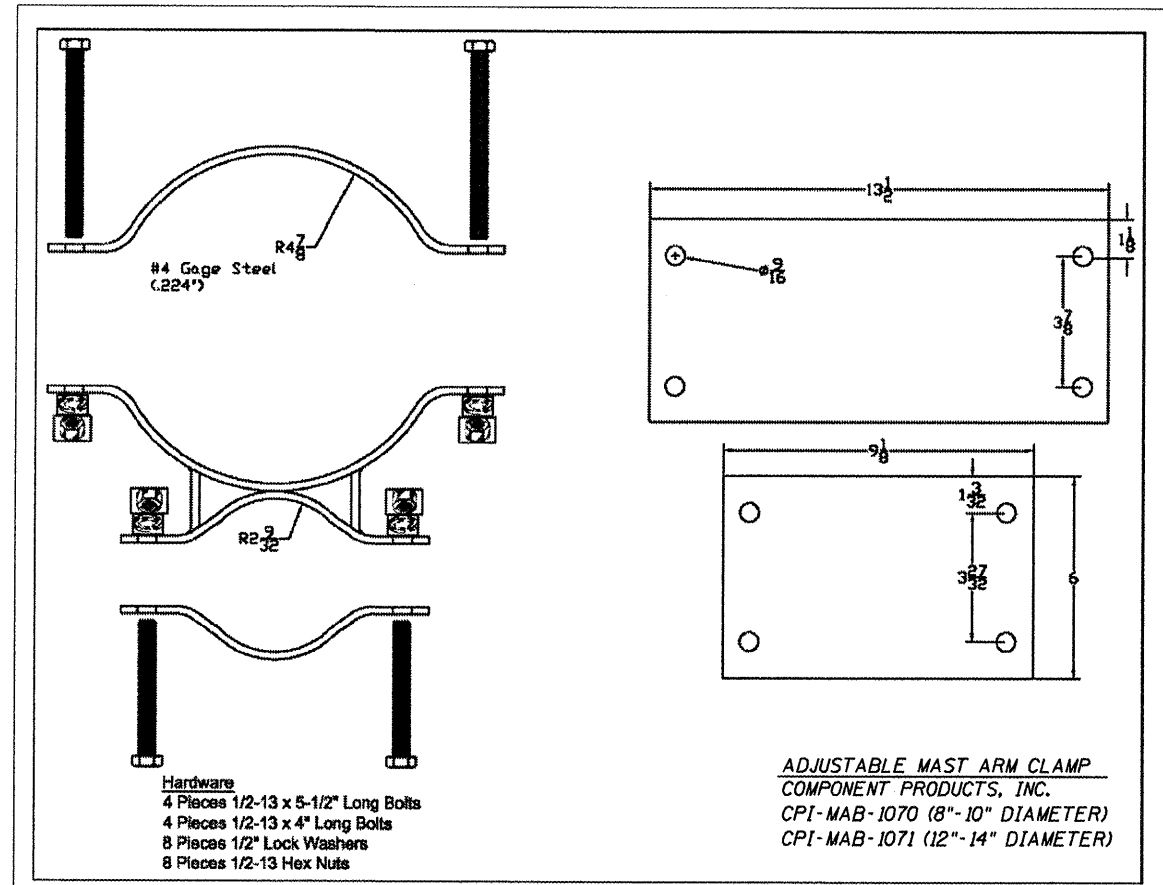
.75" DIA. HOLE WITH GROMMET AND PIPE NIPPLES AND NON METALLIC SEAL-TITE (TYP.)

2" DIA. GALVANIZED STEEL CONDUIT

2" DIA. NPT THREADED HUB (COST INCLUDED WITH STRUCTURE) (LOCATION TO BE DETERMINED AT TIME OF SHOP DRAWING SUBMITTAL AND REVIEW)



SIDE ELEVATION



FILE NAME =	USER NAME = potelyj	DESIGNED -	REVISED -
c:\pw_work\p1dot\potelyj\d0250292\0366828-sht-details.dgn		DRAWN -	REVISED -
		CHECKED -	REVISED -
		DATE -	REVISED -

STATE OF ILLINOIS
DEPARTMENT OF TRANSPORTATION

CCTV CAMERA AND EQUIPMENT CABINET MOUNTING DETAIL
FOR OVERHEAD SIGN STRUCTURES

F.A.I. RTE.	SECTION	COUNTY	TOTAL SHEETS	SHEET NO.
VAR	D3 OVD MESSAGE SG - 2012	VAR	50	12
CONTRACT NO. 66B28			ILLINOIS	