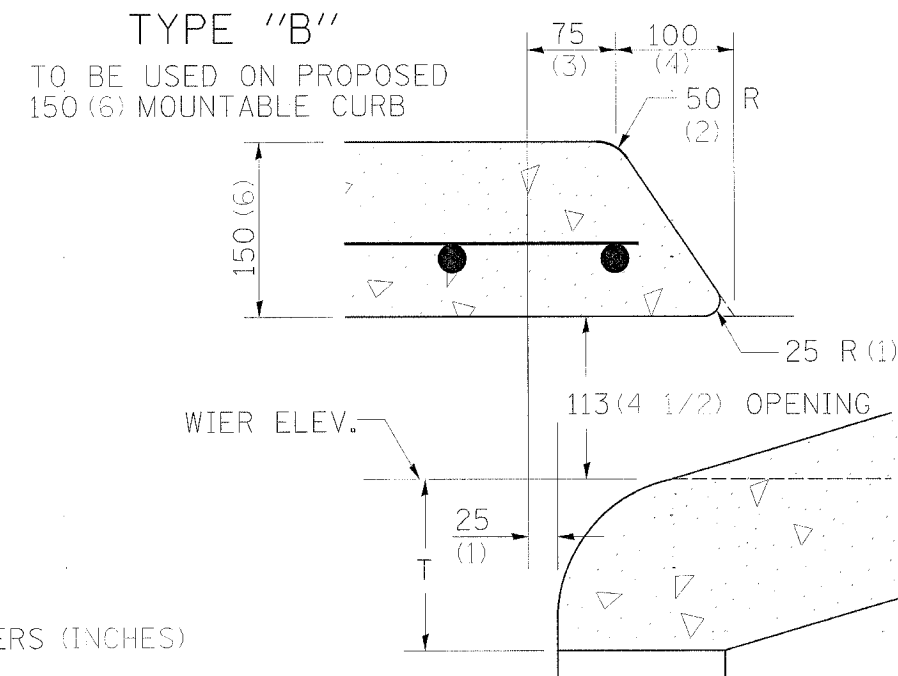
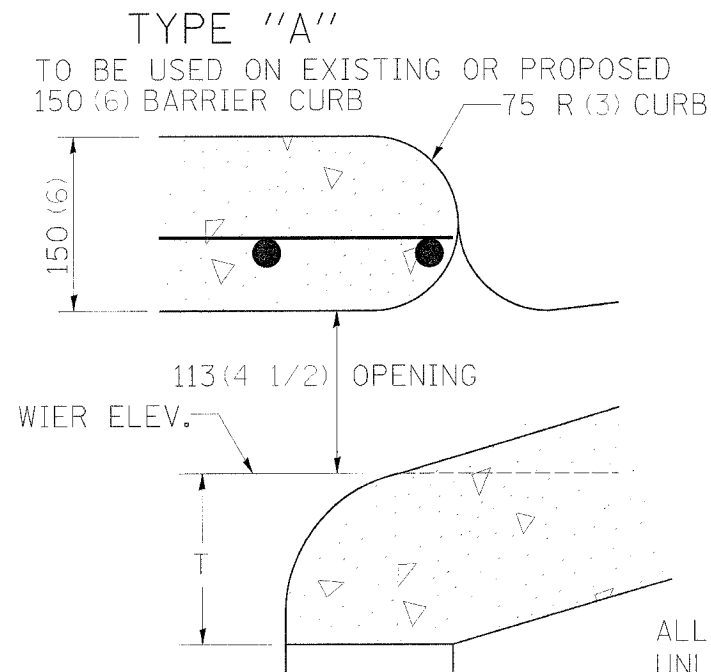
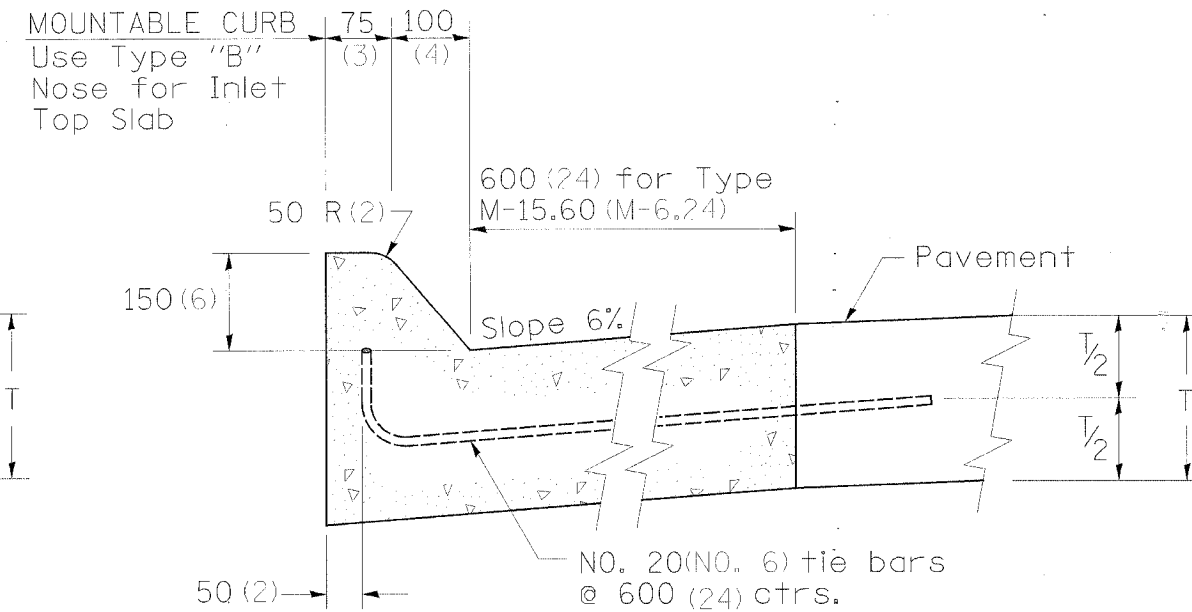
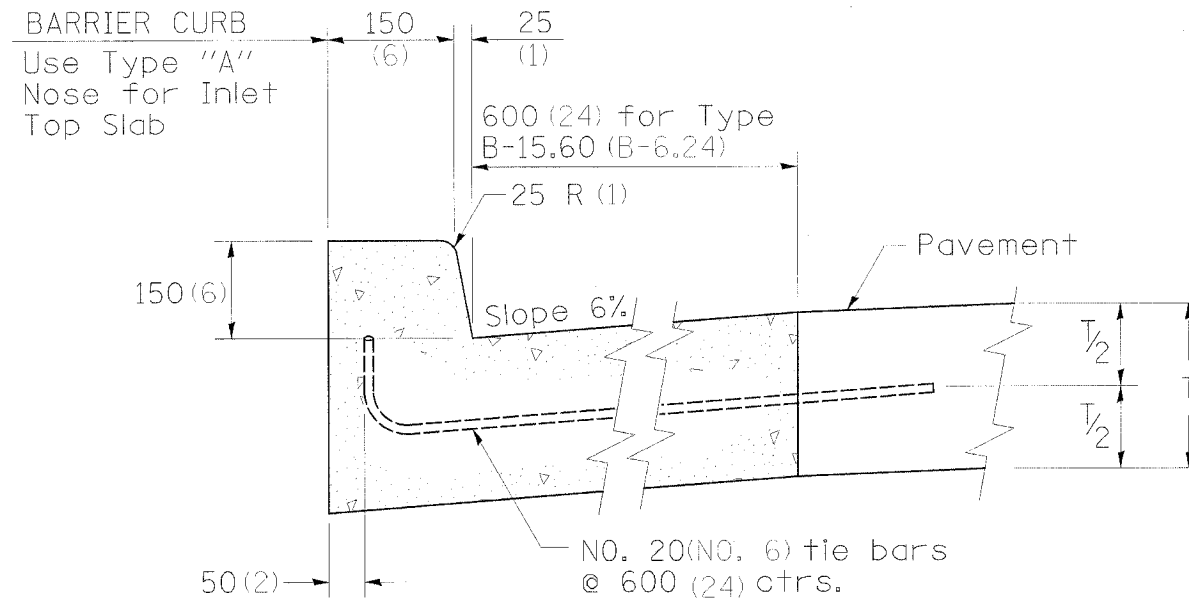


F.A.U. RTE.	SECTION	COUNTY	TOTAL SHEETS	SHEET NO.
5565	06-00127-00-FF	WHITESIDE	24	24
STA. TO STA.				
FED. ROAD DIST. NO. ILLINOIS FED. AID PROJECT				

NOSE TYPE FOR INLET TOP SLAB



ALL DIMENSIONS ARE IN MILLIMETERS (INCHES)
UNLESS OTHERWISE NOTED.

PLOT DATE = \$DATE\$
FILE NAME = \$FILEL\$
PLOT SCALE = \$SCALE\$
REFERENCE = \$REF\$

S:/TRANS/1121D05/DESIGN/COVERETC.DGN

NOSE TYPE FOR INLET TOP SLAB

79.4d

REVISED 2-14-95