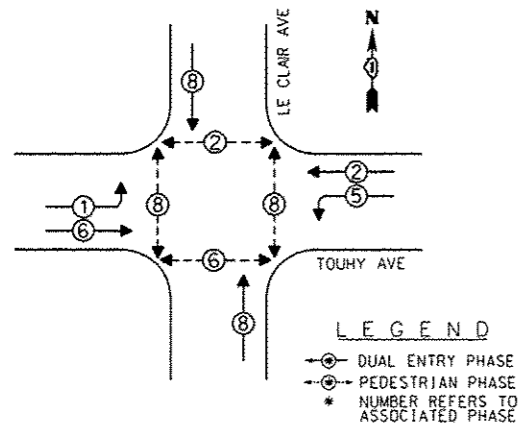


EXISTING CONTROLLER SEQUENCE



EXISTING PHASE DESIGNATION DIAGRAM

REPLACE ALL EXISTING TRAFFIC SIGNAL HEADS

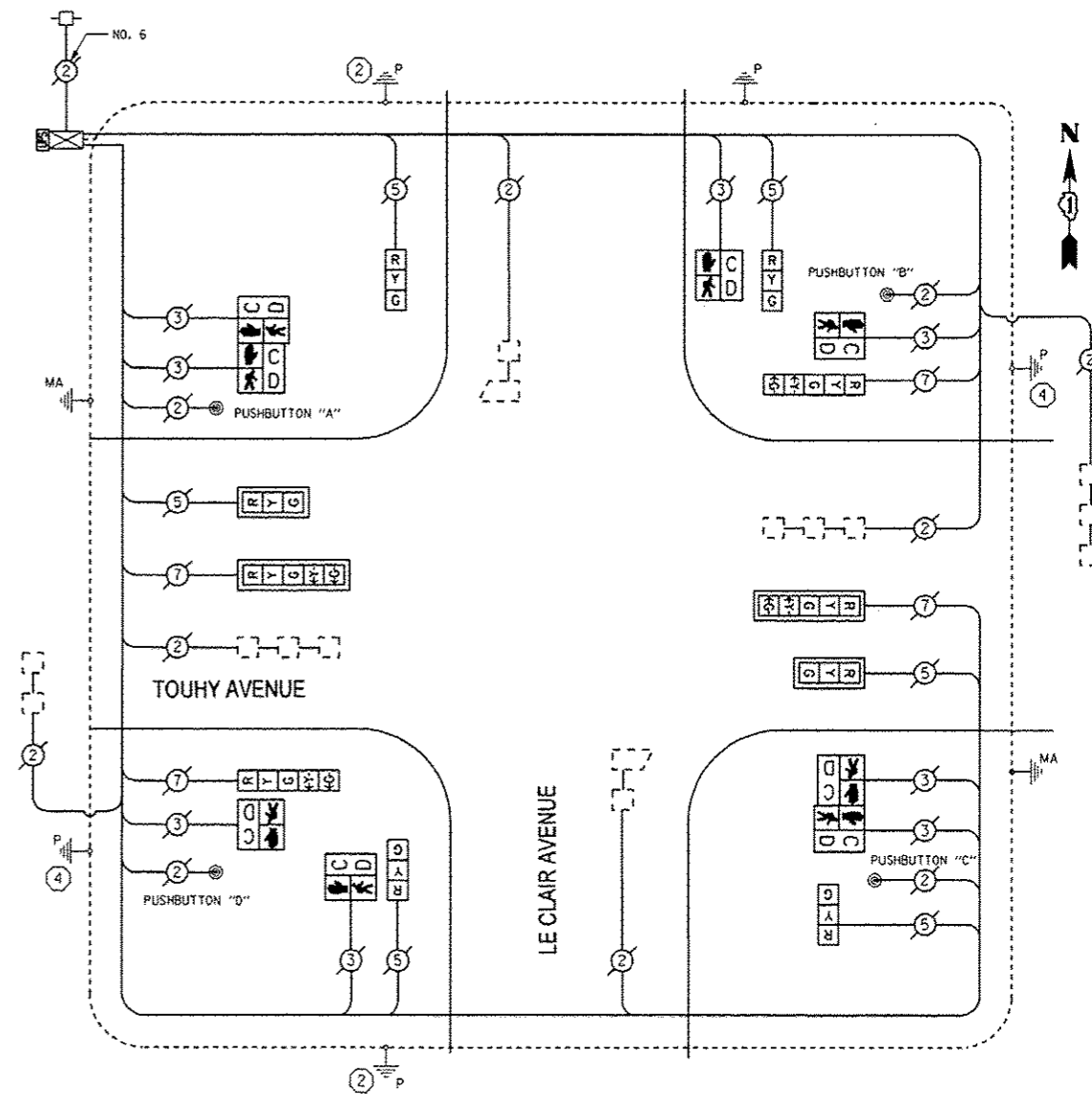
REMOVE EXISTING TRAFFIC SIGNAL EQUIPMENT

THE FOLLOWING ITEMS SHALL BE REMOVED BY THE CONTRACTOR AND SHALL BE DISPOSED OF BY THEM OUTSIDE THE RIGHT-OF-WAY AT THEIR EXPENSE. THE SALVAGE VALUE OF THE REMOVED EQUIPMENT SHALL BE REFLECTED IN THE CONTRACT BID PRICE.

QUANTITY	UNIT	DESCRIPTION
4	EACH	TRAFFIC SIGNAL POST
6	EACH	SIGNAL HEAD, 1-FACE, 3-SECTION
4	EACH	SIGNAL HEAD, 1-FACE, 5-SECTION
4	EACH	TRAFFIC SIGNAL BACKPLATE
2	EACH	PEDESTRIAN SIGNAL HEAD, 1-FACE
3	EACH	PEDESTRIAN SIGNAL HEAD, 2-FACE
4	EACH	PEDESTRIAN PUSHBUTTON

SCHEDULE OF QUANTITIES

QUANTITY	UNIT	ITEM
1	EACH	MAINTENANCE OF EXISTING TRAFFIC SIGNAL INSTALLATION
2	EACH	TRAFFIC SIGNAL POST, GALVANIZED STEEL 14 FT.
2	EACH	TRAFFIC SIGNAL POST, GALVANIZED STEEL 16 FT.
2	EACH	SIGNAL HEAD, LED, 1-FACE, 3-SECTION, MAST ARM MOUNTED
4	EACH	SIGNAL HEAD, LED, 1-FACE, 3-SECTION, BRACKET MOUNTED
2	EACH	SIGNAL HEAD, LED, 1-FACE, 5-SECTION, BRACKET MOUNTED
2	EACH	SIGNAL HEAD, LED, 1-FACE, 5-SECTION, MAST ARM MOUNTED
4	EACH	PEDESTRIAN SIGNAL HEAD, LED, 1-FACE, BRACKET MOUNTED WITH COUNTDOWN TIMER
2	EACH	PEDESTRIAN SIGNAL HEAD, LED, 2-FACE, BRACKET MOUNTED WITH COUNTDOWN TIMER
4	EACH	TRAFFIC SIGNAL BACKPLATE, LOUVERED, ALUMINUM
1	EACH	MODIFY EXISTING CONTROLLER CABINET
1	EACH	REMOVE EXISTING TRAFFIC SIGNAL EQUIPMENT
1	EACH	UNINTERRUPTIBLE POWER SUPPLY, SPECIAL
4	EACH	PEDESTRIAN PUSH-BUTTON, NON LATCHING



CABLE PLAN

PUSHBUTTON "A" SHALL PLACE A CALL TO PHASES 2 & 8
 PUSHBUTTON "B" SHALL PLACE A CALL TO PHASES 2 & 8
 PUSHBUTTON "C" SHALL PLACE A CALL TO PHASES 6 & 8
 PUSHBUTTON "D" SHALL PLACE A CALL TO PHASES 6 & 8

LEGENDS

- ② REPLACE 14 FT. PAINTED POST, RE-USE EXISTING TYPE A CONCRETE FOUNDATION
- ④ REPLACE 16 FT. PAINTED POST, RE-USE EXISTING TYPE A CONCRETE FOUNDATION

THE TRAFFIC SIGNAL CONTROL EQUIPMENT FOR THIS SIGNAL SHALL BE "EAGLE" TO MATCH THE EXISTING ADJACENT SYSTEM.

FILE NAME : F:\2012\ME12014.P10162.10_Schwar tz\CADD\PH04_Nor thCook_LED.6\Shets\60X28-shr-TS-TouhyAve-LeClairAve.dgn
 PLOT SCALE : 1/8"=1'-0"
 USER NAME : Millennium Professional Services

I.D.O.T. TRAFFIC SIGNAL INSTALLATION ELECTRICAL SERVICE REQUIREMENTS				TOTAL WATTAGE
TYPE	NO. OF LAMPS	WATTAGE INCAND	LED % OPERATIONS	
SIGNAL (RED)	10	17	0.50	85.00
(YELLOW)	10	25	0.25	62.50
(GREEN)	10	15	0.25	37.50
ARROW	8	12	0.10	9.60
PEO. SIGNAL	8	25	1.00	200.00
CONTROLLER	1	100	1.00	100.00
ILLUM. SIGN		0	0	0
VIDEO VEH. SENSOR		0	0	0
FLASHER		0	0	0
ENERGY COSTS TO:				TOTAL = 494.60

VILLAGE OF SKOKIE
 5127 DAKTON ST.
 SKOKIE, IL 60077

ENERGY SUPPLY - CONTACT: TERRIBLECK
 PHONE: (847) 816-5239
 COMPANY: ComEd

2600 Warrenville Road, Suite 203, Downers Grove, IL 60515-1761
 630.705.0110 voice, 630.839.2566 fax
 www.mps-ill.com

DESIGNED	JNP	REVISED	
DRAWN	JNP	REVISED	
CHECKED	TVN	REVISED	
DATE	12/9/2013	REVISED	

STATE OF ILLINOIS DEPARTMENT OF TRANSPORTATION

SCHEDULE OF QUANTITIES, CABLE PLAN, AND PHASE DESIGNATION DIAGRAM TOUHY AVENUE AT LE CLAIR AVENUE

SCALE: N/A	SHEET OF SHEETS	STA. TO STA.	F.A.P. RTE. VAR	SECTION 2013-053TS	COUNTY COOK	TOTAL SHEETS 88	SHEET NO. 62
------------	-----------------	--------------	-----------------	--------------------	-------------	-----------------	--------------