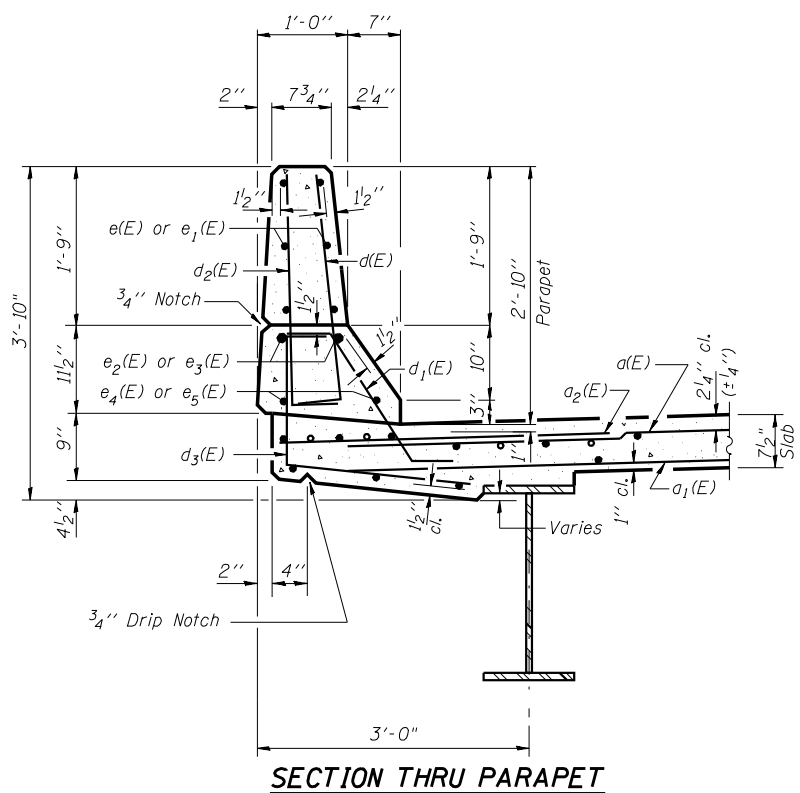


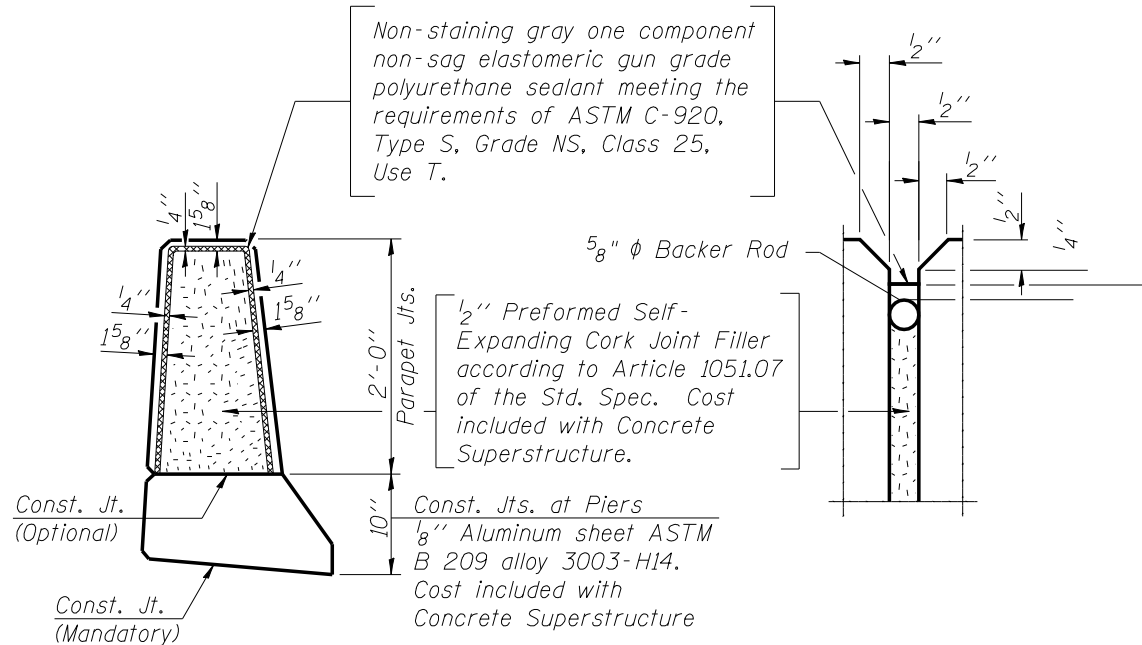
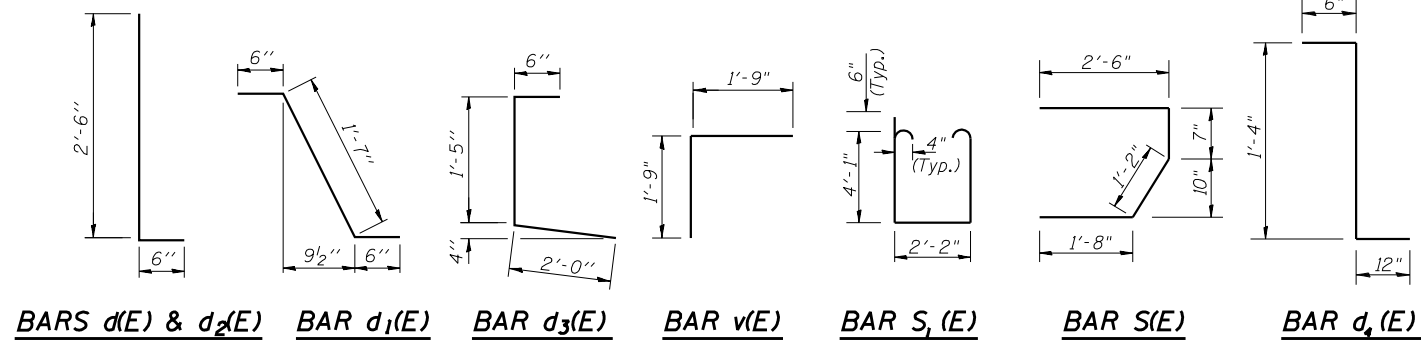
INSIDE ELEVATION OF PARAPET

MIN. BAR LAP
 #4 bars = 1'-4"
 #5 bars = 1'-8"
 #8 bars = 3'-5"



SECTION THRU PARAPET

The contractor shall construct the parapets according to the F shape parapet detailed in the special provisions in lieu of the New Jersey parapet detailed in the contract plans.



PARAPET JOINT DETAILS

**SUPERSTRUCTURE
BILL OF MATERIAL**

Bar	No.	Size	Length	Shape
d(E)	331	#5	34'-0"	—
d1(E)	265	#5	33'-0"	—
d2(E)	662	#6	6'-0"	—
b(E)	342	#5	26'-0"	—
b1(E)	105	#6	26'-8"	—
b2(E)	341	#5	21'-7"	—
d(E)	482	#5	3'-0"	—
d1(E)	470	#5	2'-7"	—
d2(E)	482	#4	3'-0"	—
d3(E)	482	#4	3'-11"	—
d4(E)	12	#5	2'-10"	—
e(E)	144	#4	14'-8"	—
e1(E)	24	#4	19'-5"	—
e2(E)	24	#8	32'-4"	—
e3(E)	8	#8	19'-5"	—
e4(E)	32	#5	23'-10"	—
e5(E)	8	#5	19'-5"	—
m(E)	4	#6	33'-0"	—
m1(E)	6	#6	34'-11"	—
m2(E)	24	#6	8'-7"	—
m3(E)	10	#6	5'-8"	—
m4(E)	4	#6	2'-10"	—
s(E)	72	#5	5'-11"	—
s1(E)	62	#4	11'-4"	—
v(E)	68	#5	3'-6"	—
Reinforcement Bars, Epoxy Coated	Pound	60270		
Concrete Superstructure	Cu. Yds.	265.2		

Reinforcement bars designated (E) shall be epoxy coated.
 Bars indicated thus 1 x 2 - #5 etc. indicates 1 line of bars with 2 lengths per line.

**ILLINOIS DEPARTMENT OF TRANSPORTATION
SUPERSTRUCTURE DETAILS
FAP ROUTE 840 (IL 49N)
OVER FAI RTE 74 (I-74)
SECTION (10-92-8HB-4) BR
VERMILION COUNTY
STA. 1160+20.53 (I-74)
STA. 50+00.00 (IL 49N)
STRUCTURE NO. 092-0203**

REVISIONS	
NAME	DATE

LIN ENGINEERING, LTD.
 210 N. Chestnut | Chatham, Illinois 62629
 (217) 483-4668 | FAX (217) 483-4706
 Designed By: MTH | Checked By: STD | Drawn By: JMD
 Date: 11/02 | File: 0920203.DWG