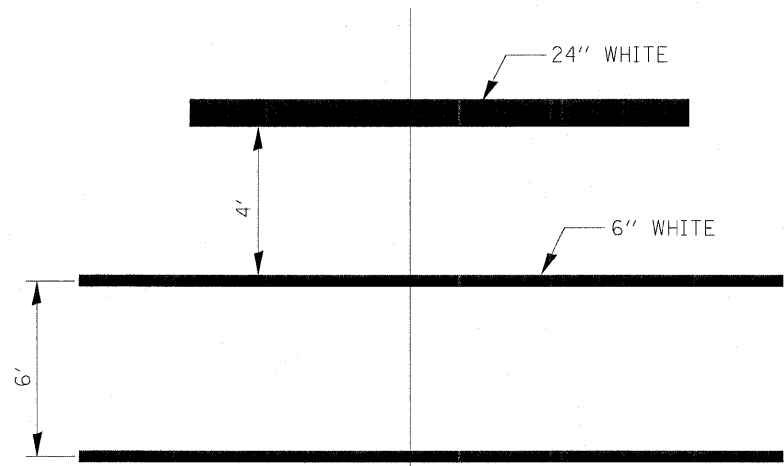
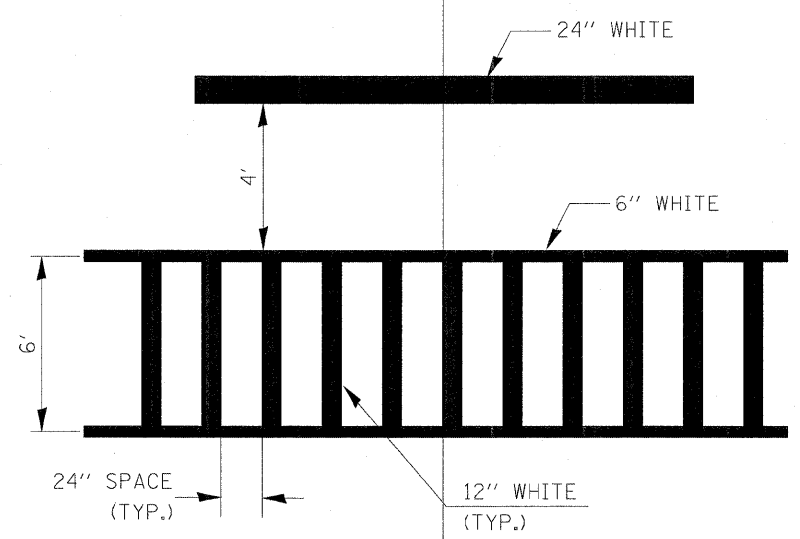


F.A.U. RTE.	SECTION	COUNTY	TOTAL SHEETS	SHEET NO.
2516	08-00037-00-RS	KENDALL	20	20
CONTRACT NO. 87377				



**TYPICAL SPACING DETAIL FOR  
CROSSWALKS AND STOP BARS**

**780-3  
OPTION 1**



**TYPICAL SPACING DETAIL FOR  
CROSSWALKS AND STOP BARS**

**780-3  
OPTION 2**

Plotted: Jan 28, 2009 @ 11:27am - Plotted By: kplung - Tab: 20-DET-780-3 (2x34)

COPYRIGHT © 2009 ENGINEERING ENTERPRISES, INC.

**Engineering Enterprises, Inc.**  
 Consulting Engineers  
 52 Wheeler Road  
 Sugar Grove, Illinois 60554 630/466-9350

**UNITED CITY OF YORKVILLE**  
 800 GAME FARM ROAD  
 YORKVILLE, ILLINOIS 60560

NO.	DATE	REVISIONS
1	01/28/09	PER IDOT REVIEW

**FOX ROAD LAPP IMPROVEMENTS**

**DISTRICT THREE CADD DETAILS**  
**780-3**

DATE: SEPT, 2008  
 PROJECT NO: Y00815  
 FILE NO: Y00815-CVR  
 SHEET **20** OF **20**

PATH = H:\30584Proj\Y00815\dwg\Y00815-Cvr.dwg