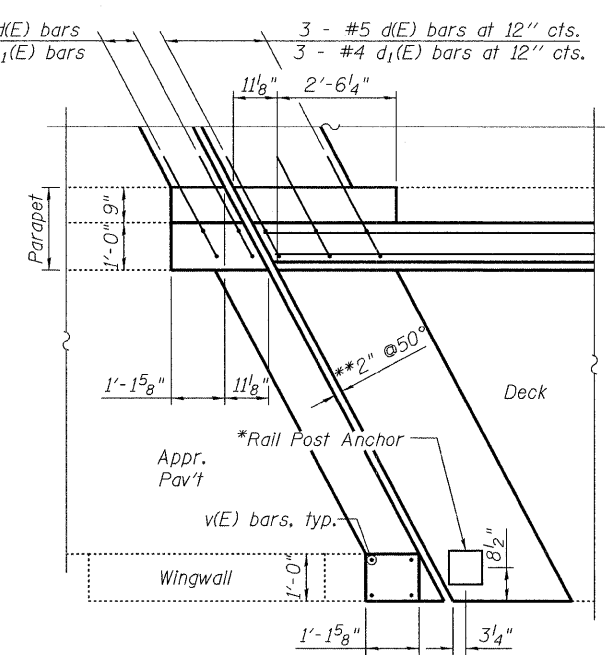


PLAN - CONCRETE REMOVAL

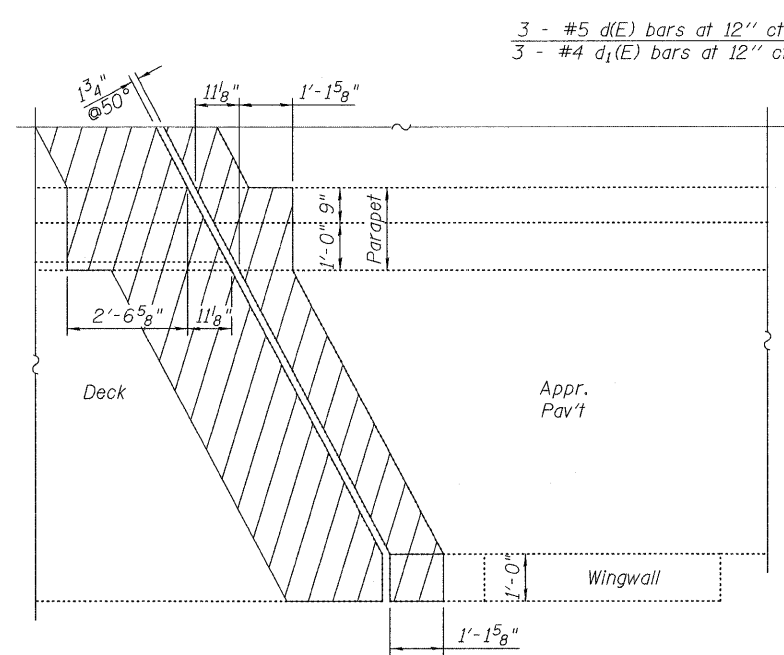
Typ. at West end of North Abut. and East end of South Abut.



PLAN - CONCRETE REPLACEMENT

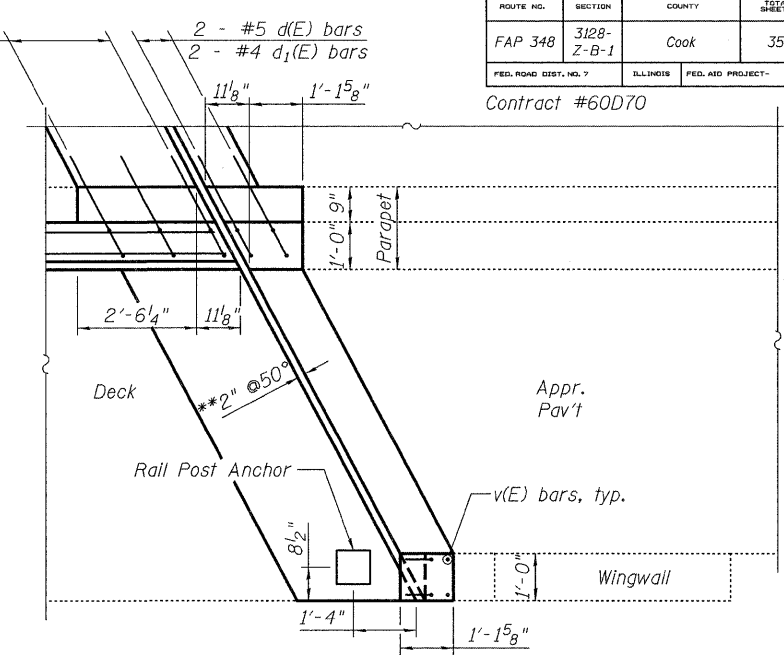
Typ. at West end of North Abut. and East end of South Abut.

*Interferes with joint, post anchorage assembly may need to be cut in the field, 2 Bolt maximum. See Sheet 4 of 14 for note.



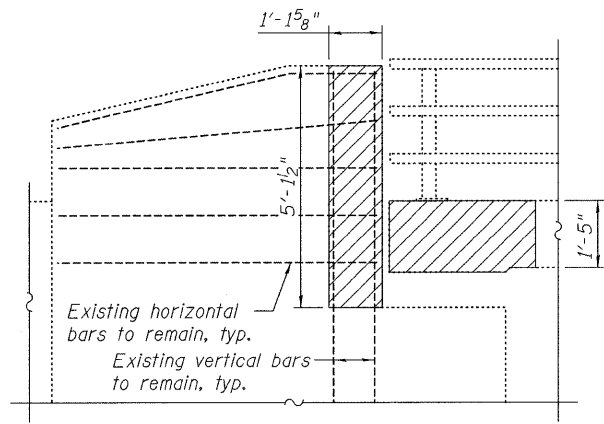
PLAN - CONCRETE REMOVAL

Typ. at East end of North Abut. and West end of South Abut.



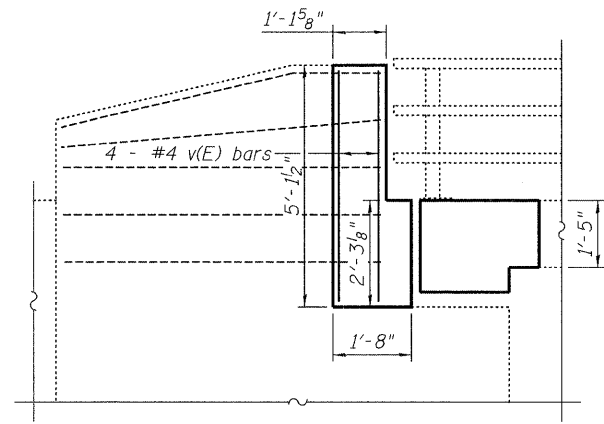
PLAN - CONCRETE REPLACEMENT

Typ. at East end of North Abut. and West end of South Abut.



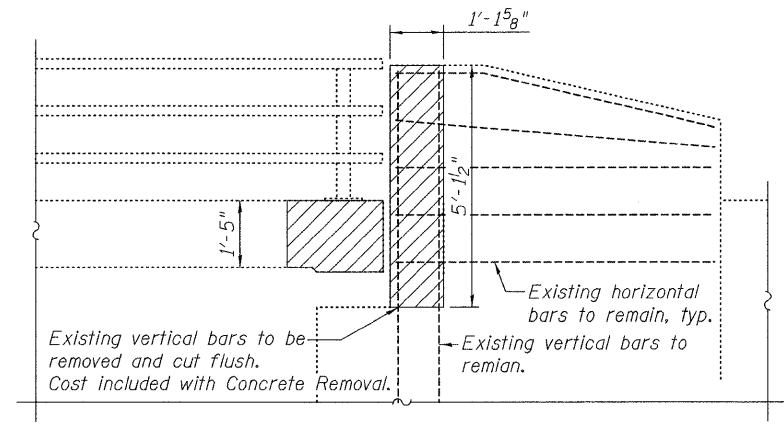
**WINGWALL ELEVATION
CONCRETE REMOVAL**

Typ. at Northwest and Southeast walls



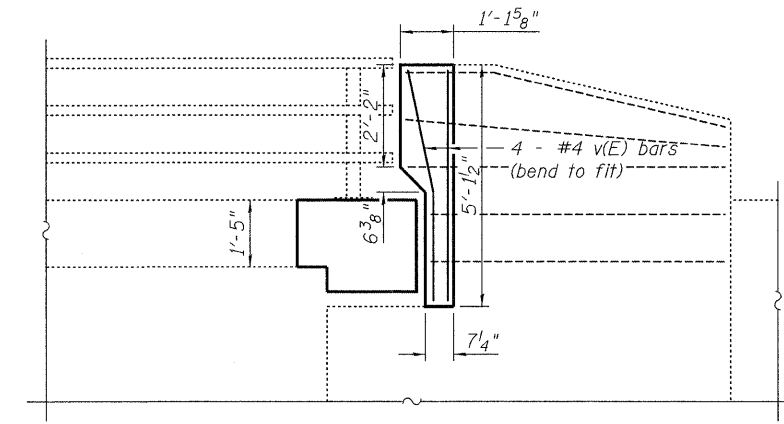
**WINGWALL ELEVATION
CONCRETE REPLACEMENT**

Typ. at Northwest and Southeast walls



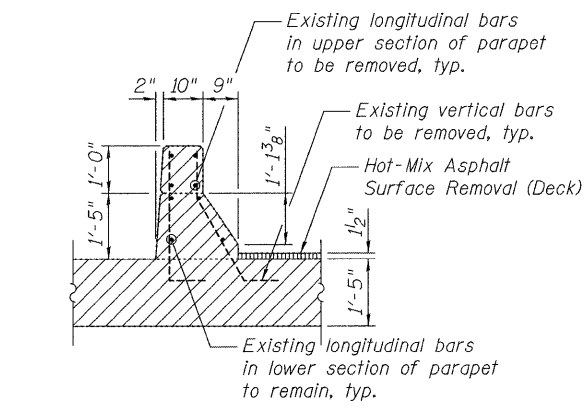
**WINGWALL ELEVATION
CONCRETE REMOVAL**

Typ. at Northeast and Southwest walls

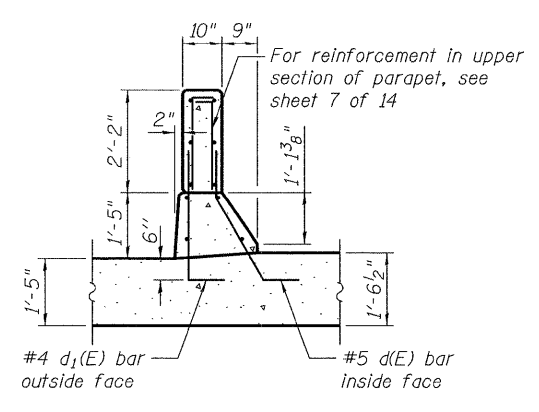


**WINGWALL ELEVATION
CONCRETE REPLACEMENT**

Typ. at Northeast and Southwest walls



**SECTION THRU PARAPET
CONCRETE REMOVAL**



**SECTION THRU PARAPET
CONCRETE REPLACEMENT**

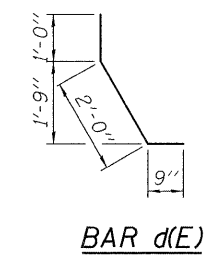
NOTES:

Hatched areas indicate concrete sections to be removed. Care shall be exercised by the contractor during and following Concrete Removal operations to ensure that the existing rebar remaining in place are not damaged. All existing reinforcement to be incorporated into new construction shall be blast-cleaned, straightened, and properly positioned prior to concrete placement. Any reinforcement damaged during Concrete Removal shall be repaired or replaced using an approved Bar Splicer or Mechanical System. Cost included with Concrete Removal.

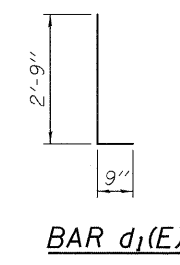
Concrete Removal and Concrete Superstructure for the parapet are included in the Bill of Material on sheet 7 of 14. Bars d(E) and d1(E) for the parapet are included in the Bill of Material on sheet 4 of 14.

For simplicity, only proposed reinforcement critical to expansion joint rehabilitation is shown.

For Bill of Material, see sheet 4 of 14.



BAR d(E)



BAR d1(E)

**See sheet 8 of 14 for Notes.

| | |
|--|--|
| <p>Excellence through Ownership</p> <p>200 West Front Street Wheaton, IL 60187</p> | <p>ILLINOIS DEPARTMENT OF TRANSPORTATION EXPANSION JOINT REHABILITATION AT PARAPET AND WINGWALL IL 43 OVER STONY CREEK FAP RTE 348 SECTION 3128-Z-B-1 COOK COUNTY STATION 179+01.40 STRUCTURE NO. 016-0322</p> |
| | <p>DATE: 1-30-2009</p> <p>DRAWN BY: LM CHECKED BY: BLB</p> |

2/12/2009 ka\122552\structures\11_43 over stony creek\final\plans\jmb\tds\gn