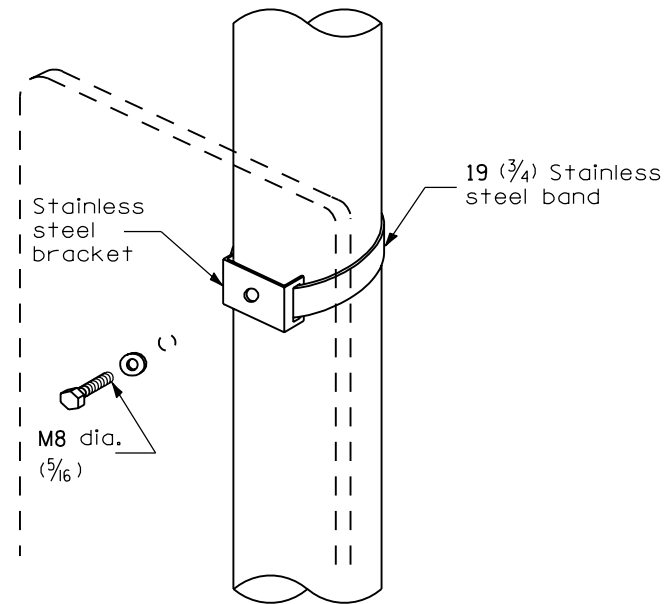
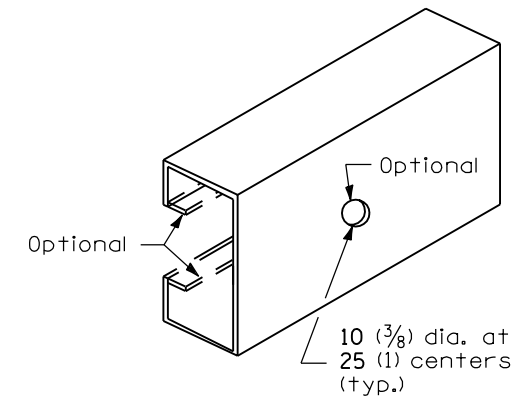
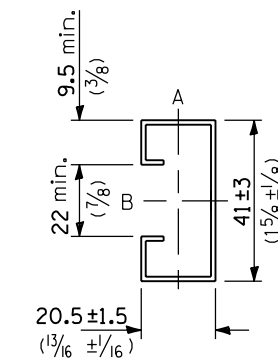


Sign panel 900 (36) wide or less

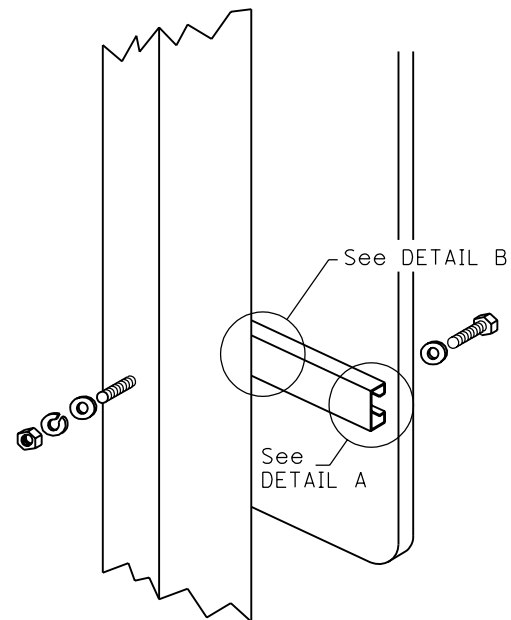


Sign panel 900 (36) wide or less

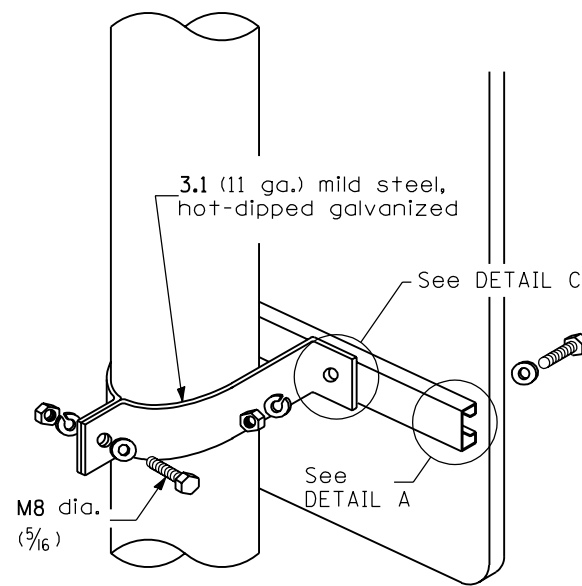
| Section modulus (minimum) | Axis A | Axis B |
|---------------------------|--|--|
| Steel | 819 mm ³ (0.050 in. ³) | 1720 mm ³ (0.105 in. ³) |
| Aluminum | 2458 mm ³ (0.150 in. ³) | 5162 mm ³ (0.315 in. ³) |



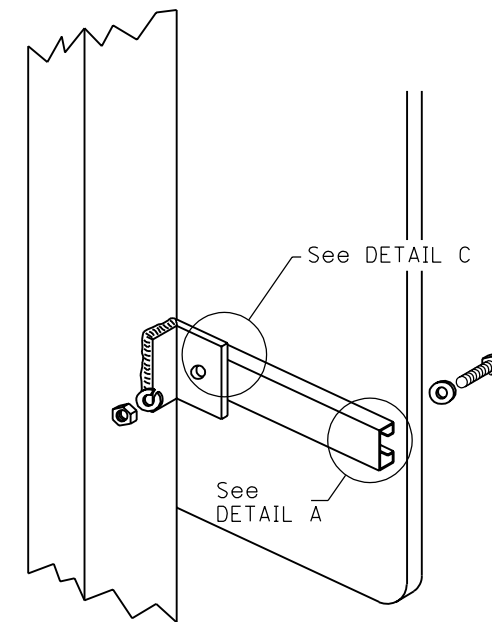
SUPPORTING CHANNEL DETAILS



Sign panel over 900 (36) wide

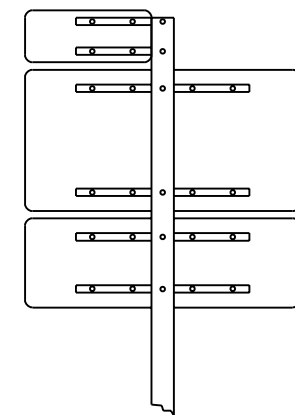


Sign panel over 900 (36) wide



BREAKAWAY STEEL TUBING POSTS

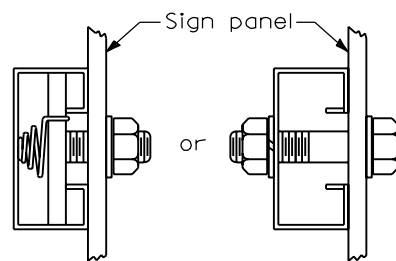
(All sign panel sizes)



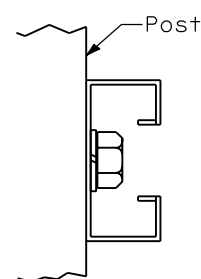
ROUTE MARKER ASSEMBLY

WOOD OR TELESCOPING STEEL POSTS

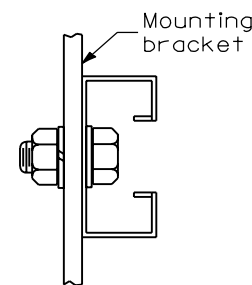
LIGHT OR SIGNAL STANDARDS



DETAIL A



DETAIL B



DETAIL C

All dimensions are in millimeters (inches) unless otherwise shown.

| DATE | REVISIONS |
|--------|-------------------------------------|
| 1-1-97 | Renum. Standard 2319-6. |
| 2-1-95 | Moved G. N. to Specs. Added metric. |

SIGN PANEL MOUNTING DETAILS

STANDARD 720001

Illinois Department of Transportation

APPROVED January 1, 1997
R. W. Jones
 ENGINEER OF OPERATIONS

APPROVED January 1, 1997
Ray Stodd
 ENGINEER OF DESIGN AND ENVIRONMENT

ISSUED 1-1-97