

**ELEVATION - 1.83 m (6') FENCE**

(Looking toward highway)

FENCE HEIGHT	POST SECTION (O.D.)	kg/m lbs./ft.
1.83 m (6 ft.)	102 (4)	13.6 (9.11)
2.43 m (8 ft.)	102 (4)	18.6 (12.51)
3.05 m (10 ft.)	102 (4)	34 (22.85)

Post sizes other than those shown may be used subject to approval by the Engineer.

**GENERAL NOTES**

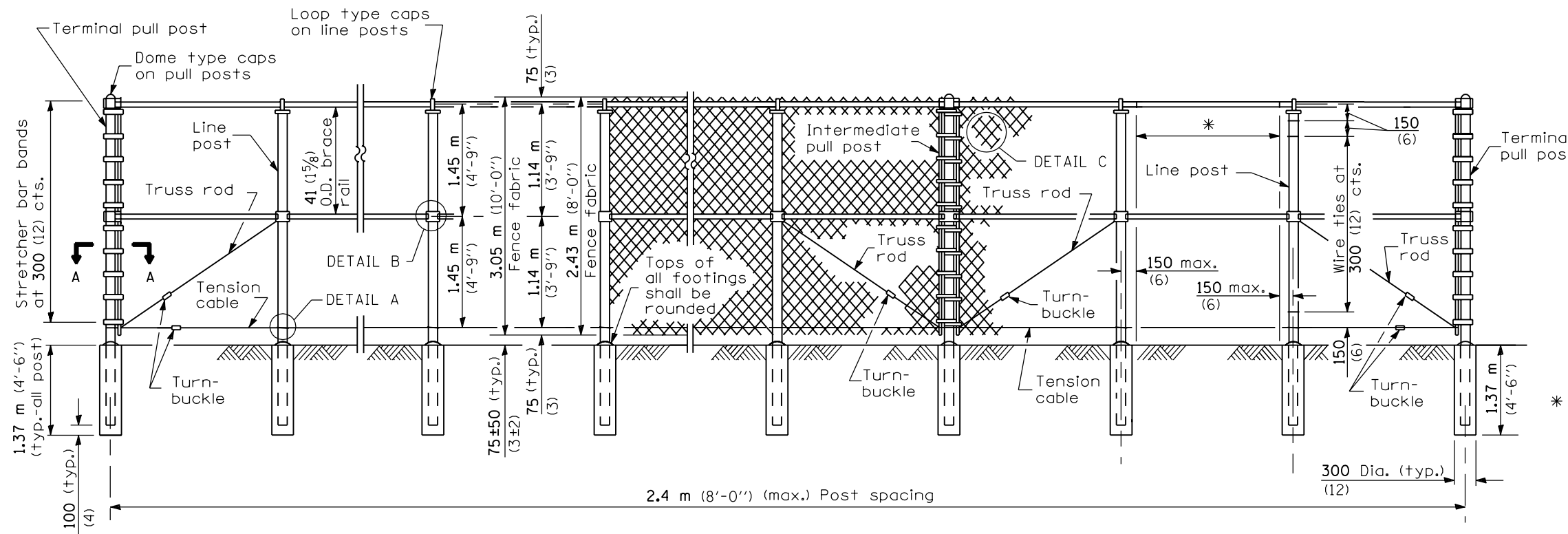
Loading for wind 130 km/h (80 mph) with 30% gust factor.

Tension cable shall be provided with one turn buckle between each pair of pull posts.

\* Fence fabric shall be tied to all line posts, tension cable and brace rails with 3.76 mm (#9 ga.) wire ties at 300 mm (12") cts.

ALLOWABLE STRESSES:  
Posts and hardware per AASHTO.  
Minimum allowable soil pressure = 120 kPa (1.25 tsf).

All dimensions are in millimeters (inches) unless otherwise shown.



**ELEVATION - 2.43 m (8') & 3.05 m (10') FENCES**

(Looking toward highway)

DATE	REVISIONS
1-1-97	Renum. Standard 2365-6.
11-1-94	Moved steel req. to Specs.
	Rev. metric values.

**SIGHT SCREEN CHAIN LINK FENCE**

(Sheet 1 of 2)

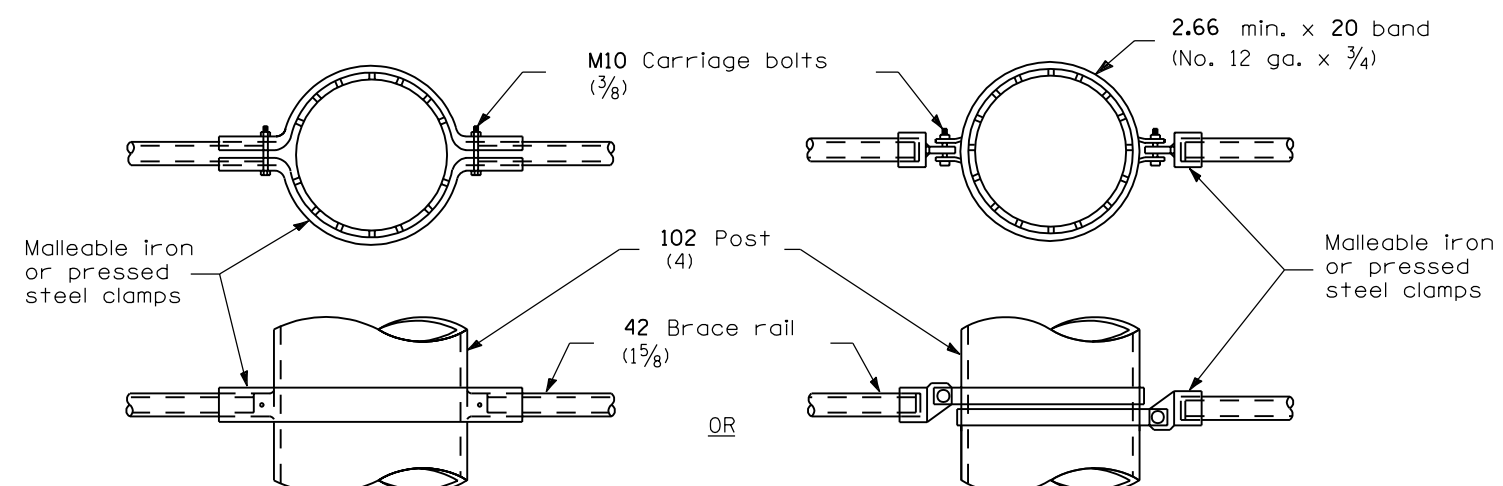
**STANDARD 640001**

Illinois Department of Transportation

APPROVED January 1, 1997  
*Ralph E. Anderson*  
ENGINEER OF BRIDGES AND STRUCTURES

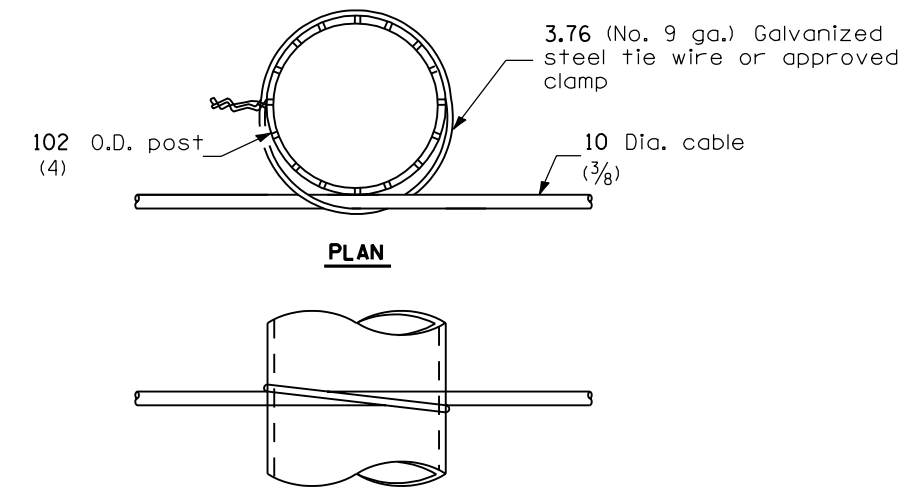
APPROVED January 1, 1997  
*Raymond G. Havel*  
ENGINEER OF DESIGN AND ENVIRONMENT

ISSUED 26-1-1

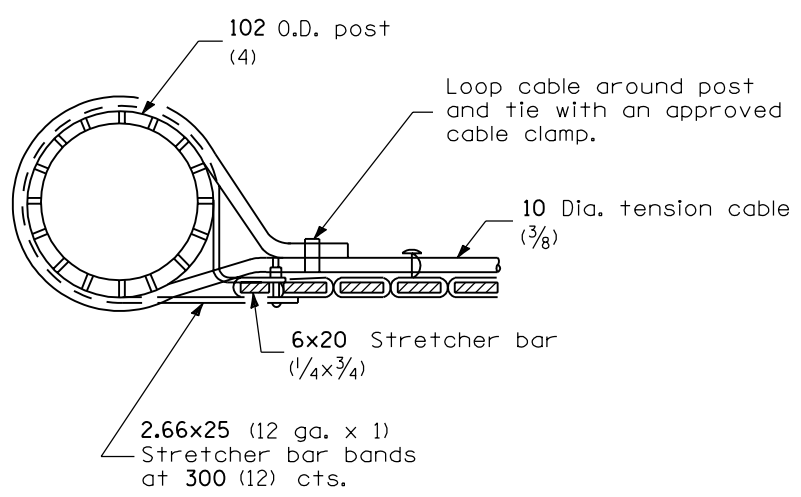


**DETAIL B**

(Showing typical method of attaching middle brace rails to posts.)

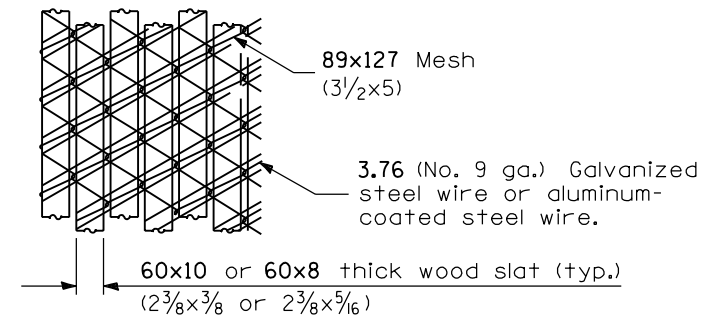


**DETAIL A**



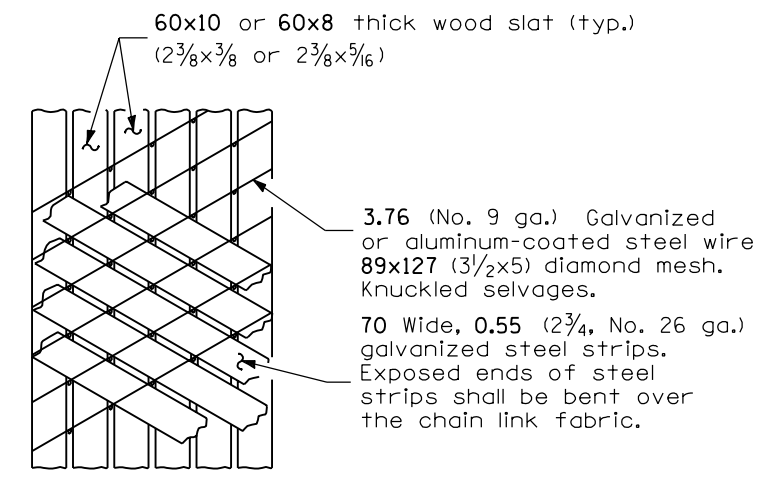
**SECTION A-A**

(Showing method of fastening bottom tension cable and fence fabric to pull posts.)



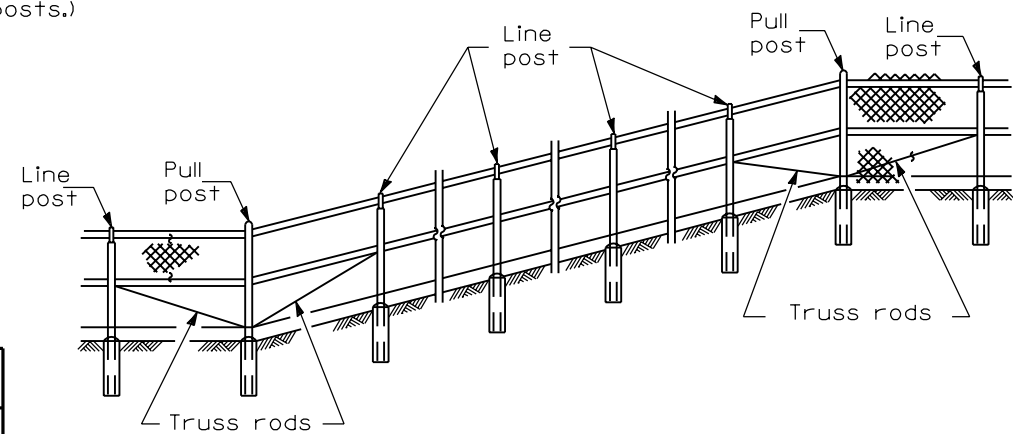
**DETAIL OF FABRIC**

(Looking from highway)

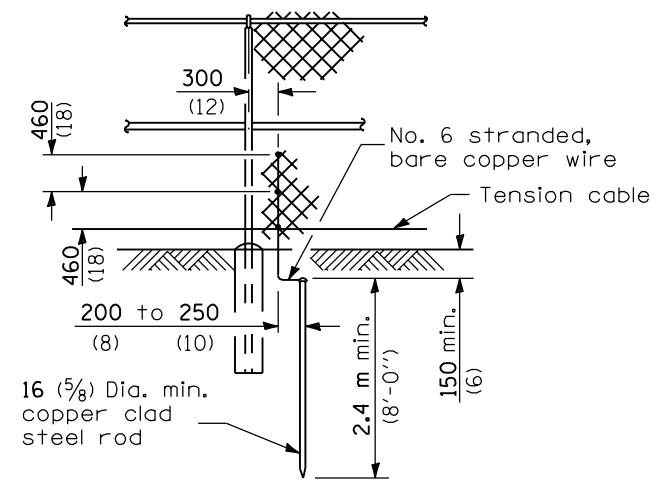


**DETAIL C**

(Looking toward highway)



**FENCE INSTALLATION ON SLOPES**



**PROTECTIVE ELECTRICAL GROUND**

All dimensions are in millimeters (inches) unless otherwise shown.

**SIGHT SCREEN CHAIN LINK FENCE**  
(Sheet 2 of 2)

**STANDARD 640001**

Illinois Department of Transportation

APPROVED January 1, 1997  
*Ralph E. Anderson*  
ENGINEER OF BRIDGES AND STRUCTURES

APPROVED January 1, 1997  
*Ray Gould*  
ENGINEER OF DESIGN AND ENVIRONMENT

ISSUED 1-1-97