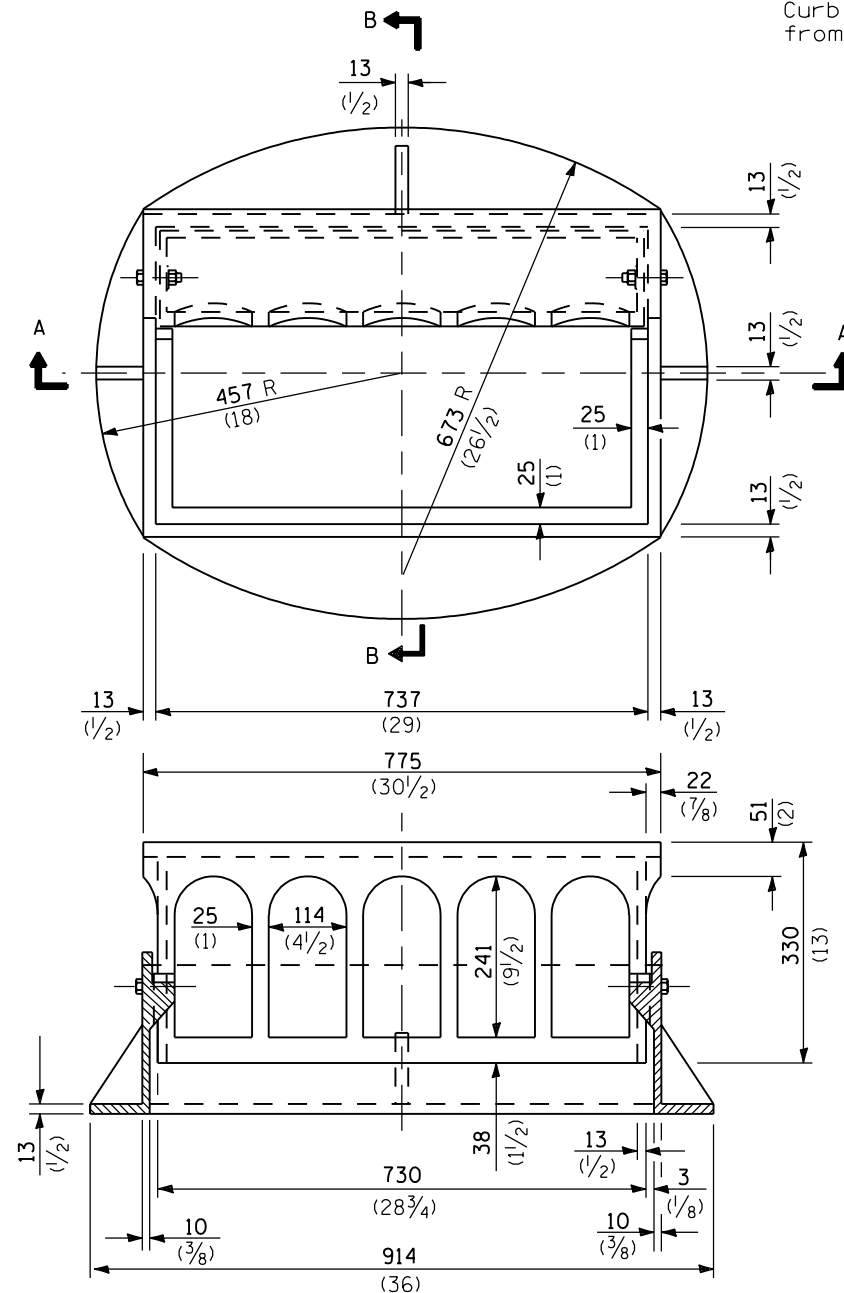
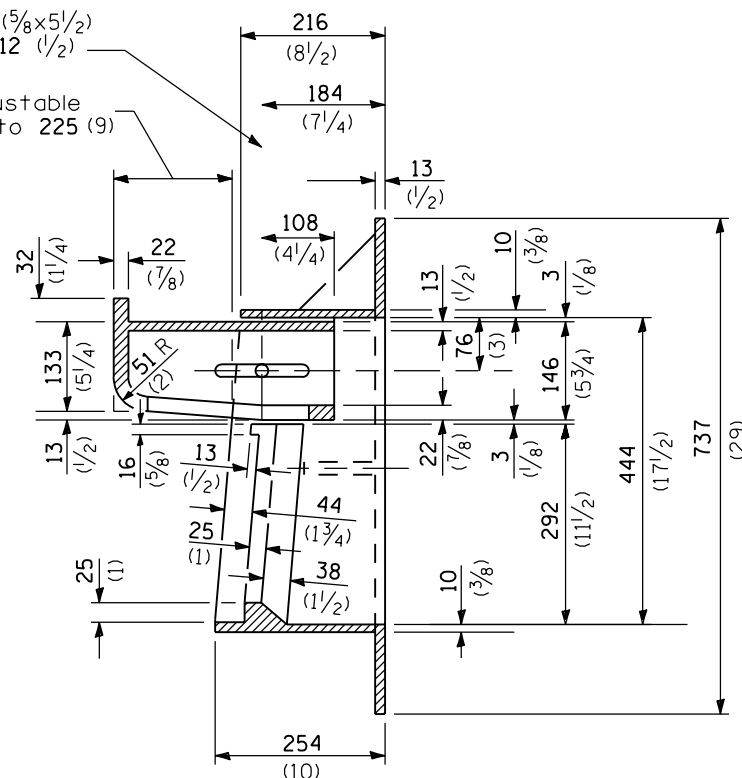


Ø 16 (5/8) Dia. hole and 16x140 (5/8x5 1/2) slotted hole for galvanized M12 (1/2) bolt, nut, and washer.

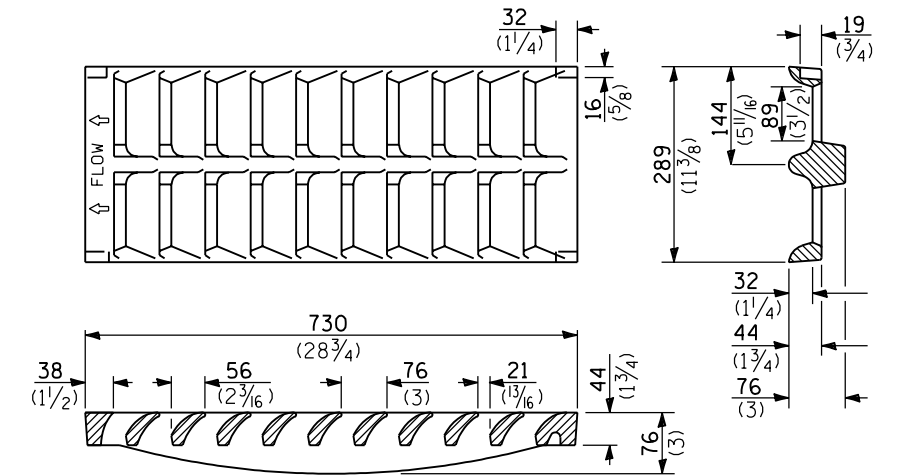
Curb box adjustable from 115 (4 1/2) to 225 (9)



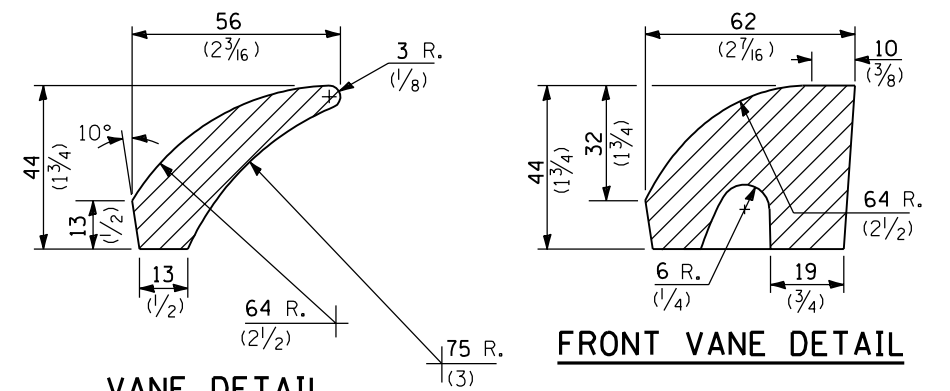
**SECTION A-A**



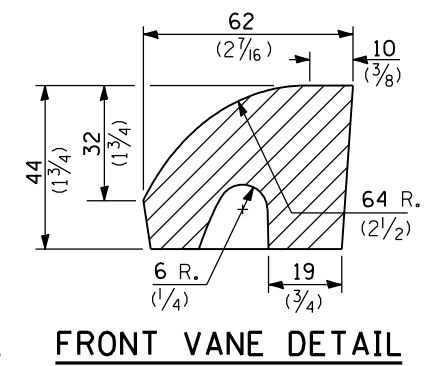
**SECTION B-B**



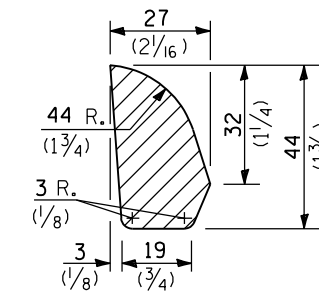
**CAST GRATE**



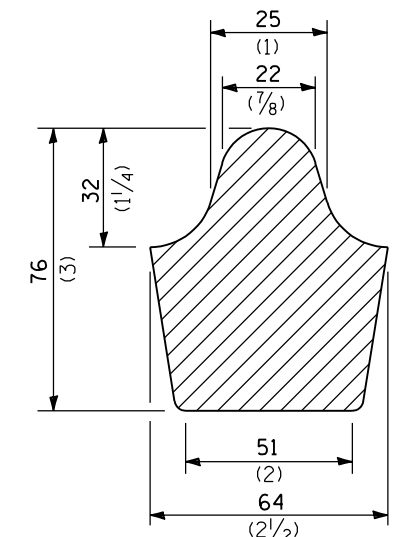
**VANE DETAIL**



**FRONT VANE DETAIL**



**SIDE RIB DETAIL**



**MIDDLE RIB DETAIL**

All dimensions are in millimeters (inches) unless otherwise shown.

Illinois Department of Transportation

PASSED January 1, 2004  
*Michael Brand*  
 ENGINEER OF POLICY AND PROCEDURES

APPROVED January 1, 2004  
*Michael L. Hine*  
 ENGINEER OF DESIGN AND ENVIRONMENT

ISSUED 26-1-1

**CAST FRAME**

DATE	REVISIONS
1-1-04	Revised frame and removed weights.
1-1-97	Renum. Standard 2451. Deleted DN Symbol.

**FRAME AND GRATE  
TYPE 11V**

**STANDARD 604056-01**