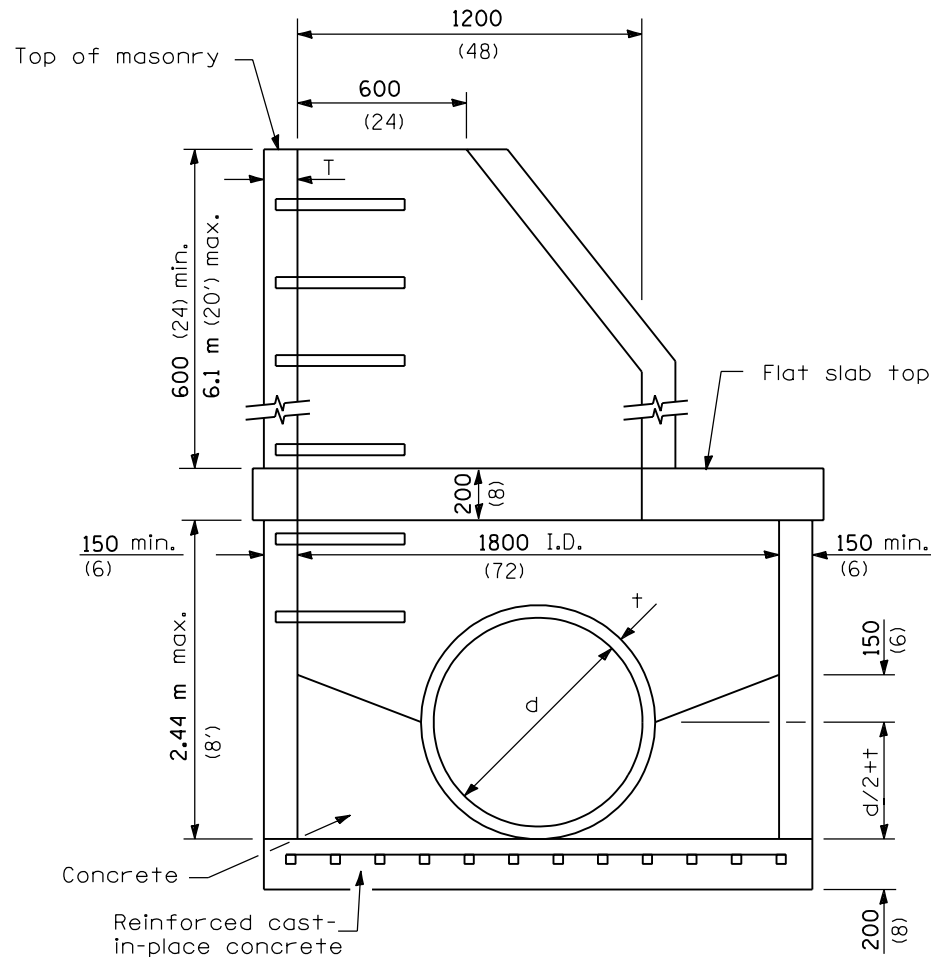
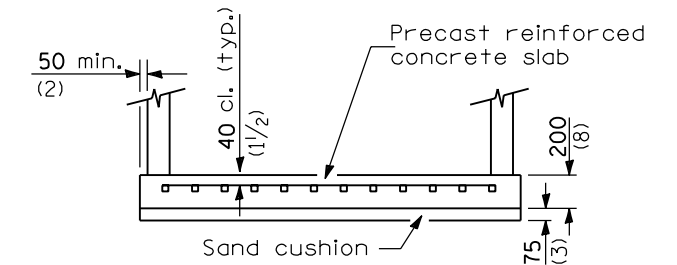
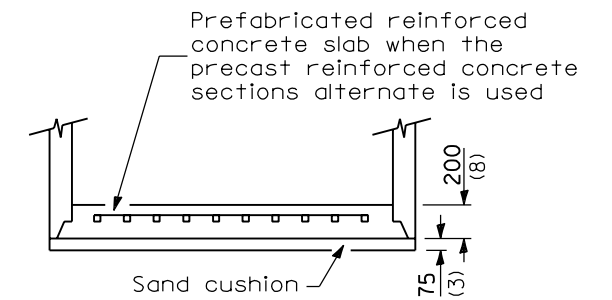


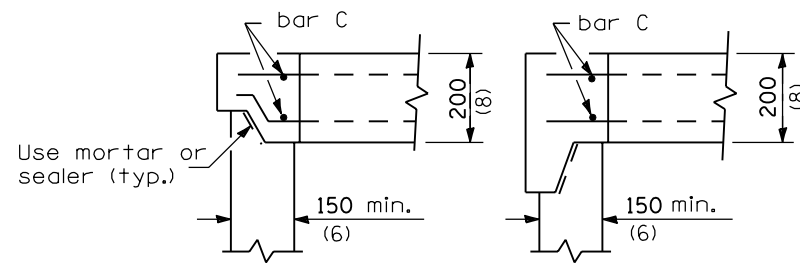
**ELEVATION**



**ELEVATION**



**ALTERNATE BOTTOM SLABS**



**ALTERNATE JOINT CONFIGURATIONS**

**GENERAL NOTES**

Joint configuration and dimensions of flat slab top shall match and fit the riser joint detail.

Lifting devices shall be approved by the Engineer.

Bottom slabs shall be reinforced with a minimum of 975 mm<sup>2</sup>/m (0.46 sq. in./ft.) in both directions.

See Standard 602701 for details of cast iron steps.

All dimensions are in millimeters (inches) unless otherwise shown.

ALTERNATE MATERIALS FOR WALLS	T (min)
Concrete Masonry Units	125 (5)
Precast Reinforced Concrete Sections	100 (4)
Cast-in-Place Concrete	150 (6)

DATE	REVISIONS
1-1-03	Added general note for reinforcement.
1-1-97	Renum. Standard 2395-1. Deleted DN Symbol, Rev. bars adj. to opening.

**MANHOLE TYPE A**  
**1800 mm (72") DIAMETER**  
(Sheet 1 of 2)

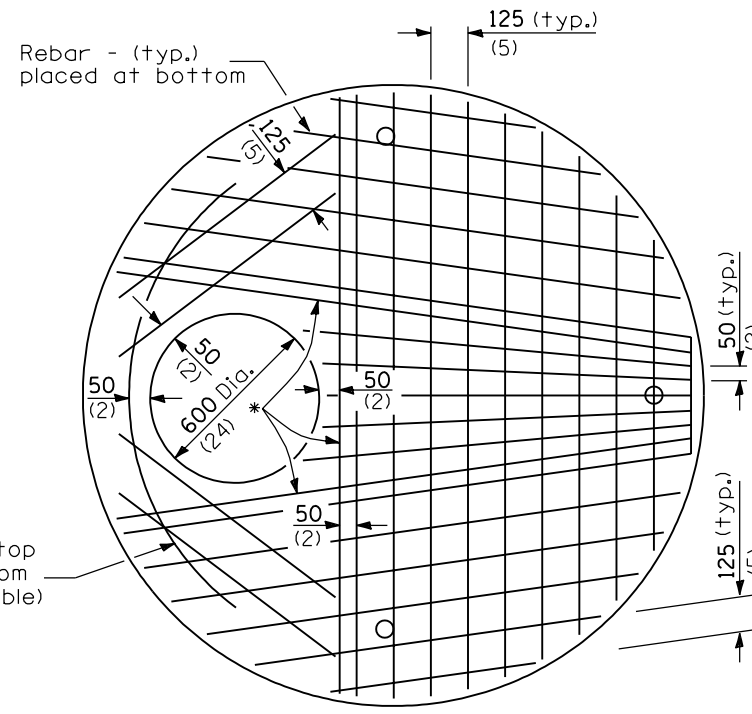
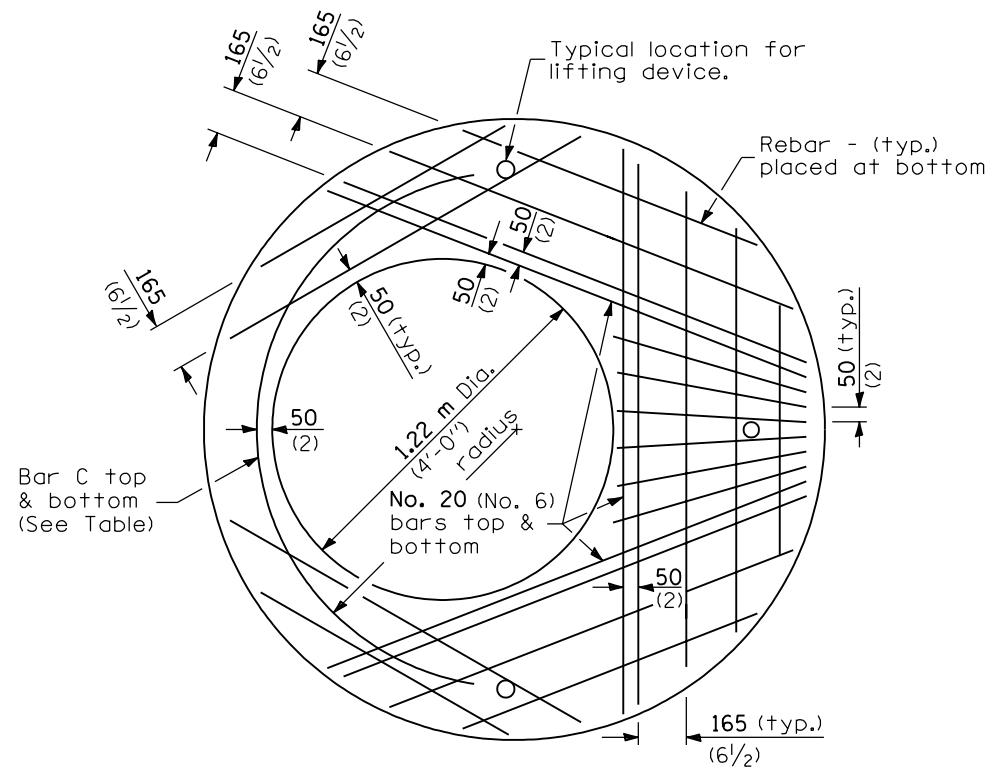
**STANDARD 602406-01**

Illinois Department of Transportation

PASSED January 1, 2003  
*Ryan Driskell*  
ENGINEER OF POLICY AND PROCEDURES

APPROVED January 1, 2003  
*Michael L. Hine*  
ENGINEER OF DESIGN AND ENVIRONMENT

ISSUED 1-1-97

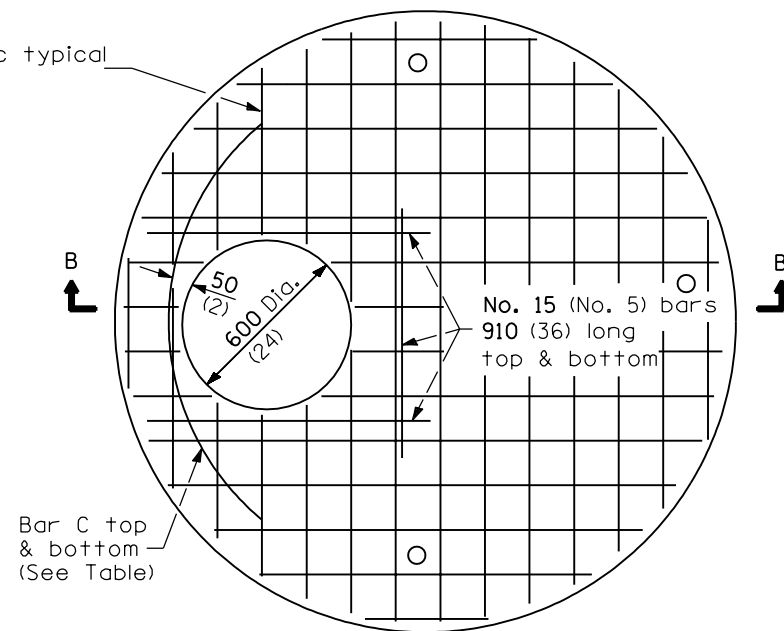
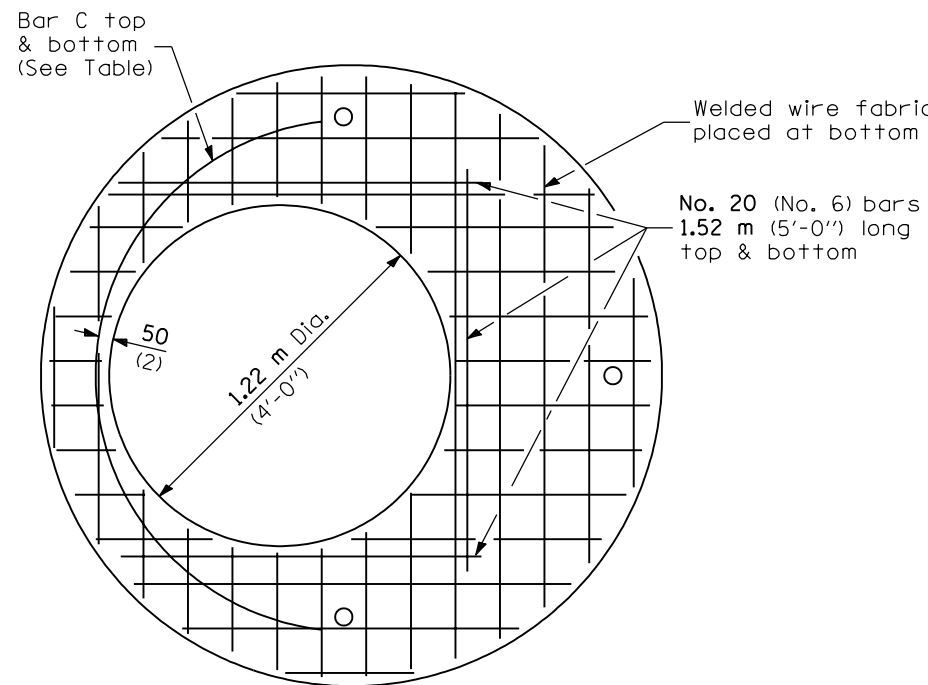


**PLAN**

Showing Rebar Reinforcement

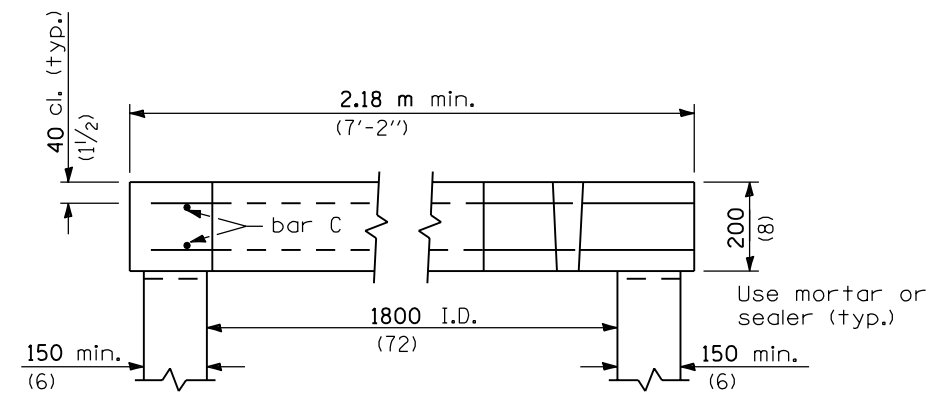
\* No. 20 (No. 6) bars top & bottom

Diameter of opening	Thickness	Reinforcement "As" WWF Each direction	Bar Size	No. 15 (No. 4) Bar C	
				Length	Radius
600 (24)	200 (8)	2244 mm <sup>2</sup> /m (1.06) sq. in./ft.	No. 20 (No. 6)	1.83 m (6'-0")	965 (38)
1.2 m (4'-0")	200 (8)	1736 mm <sup>2</sup> /m (0.82) sq. in./ft.	No. 20 (No. 6)	2.74 m (9'-0")	965 (38)



**PLAN**

Showing Welded Wire Fabric Reinforcement



**SECTION B-B**

All dimensions are in millimeters (inches) unless otherwise shown.

**MANHOLE TYPE A**  
**1800 mm (72") DIAMETER**  
 (Sheet 2 of 2)

**STANDARD 602406-01**

Illinois Department of Transportation

PASSED January 1, 2003  
*Ryan Driskell*  
 ENGINEER OF POLICY AND PROCEDURES

APPROVED January 1, 2003  
*Michael L. Hine*  
 ENGINEER OF DESIGN AND ENVIRONMENT

ISSUED 1-1-97