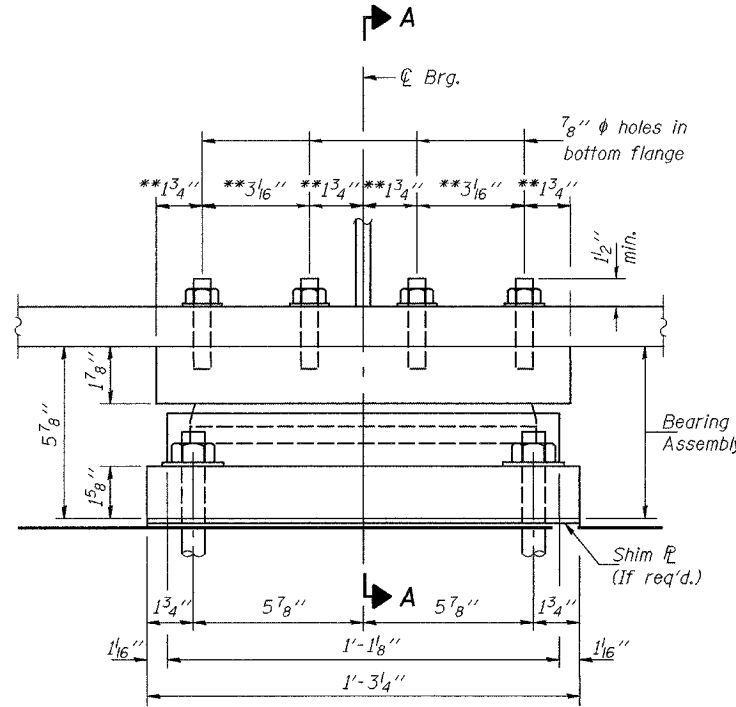


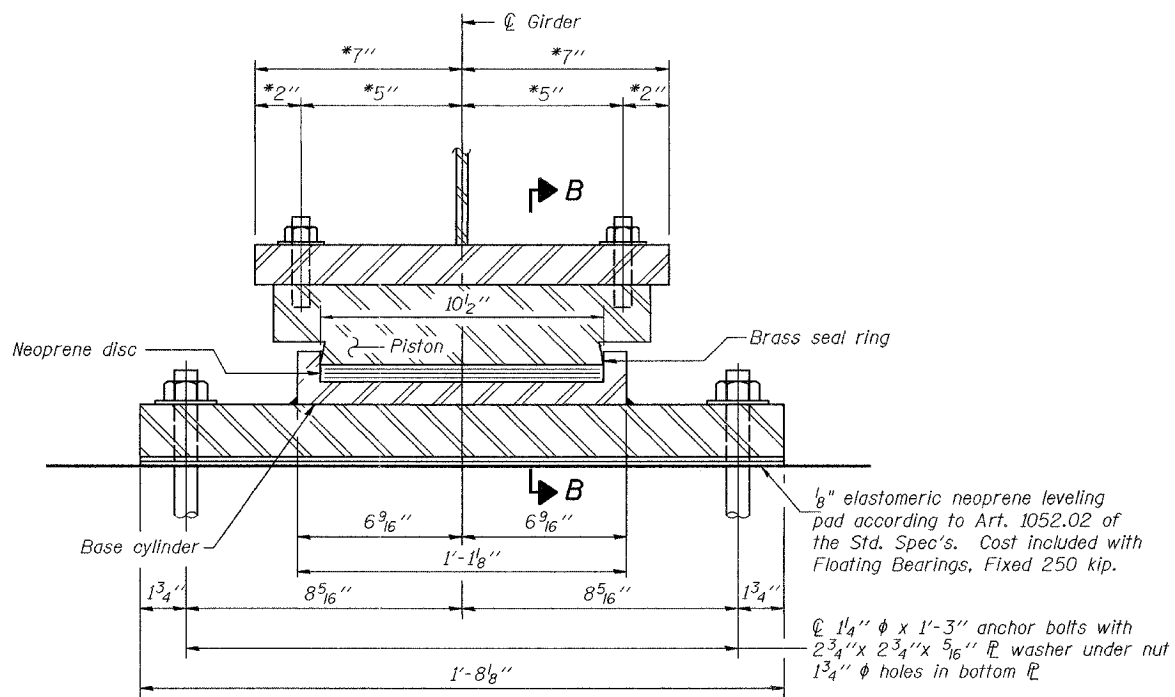
STATE OF ILLINOIS
DEPARTMENT OF TRANSPORTATION

ROUTE NO.	SECTION	COUNTY	DISTRICT	SHEET	SHEET NO. 22 35 SHEETS
F.A.I. 80	(50-2) HBR	LaSALLE		164	
FED. ROAD DIST. NO. 7		ILLINOIS	FED. AID PROJECT-		

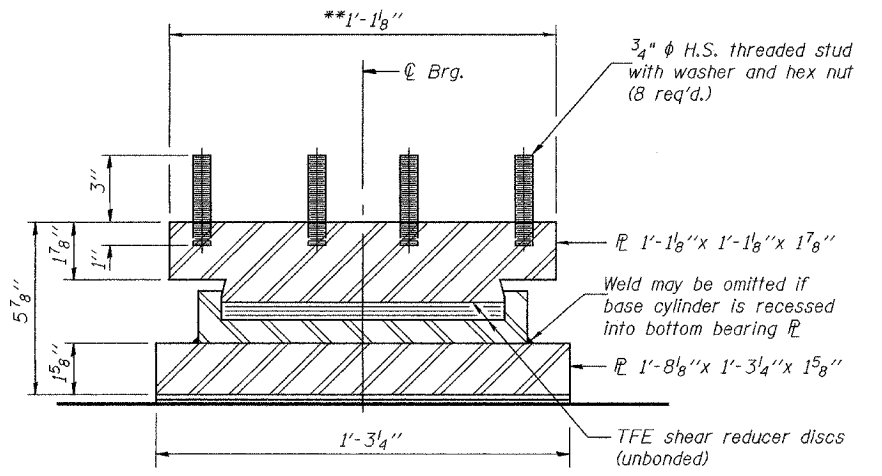
Contract No. 86603



ELEVATION AT PIER



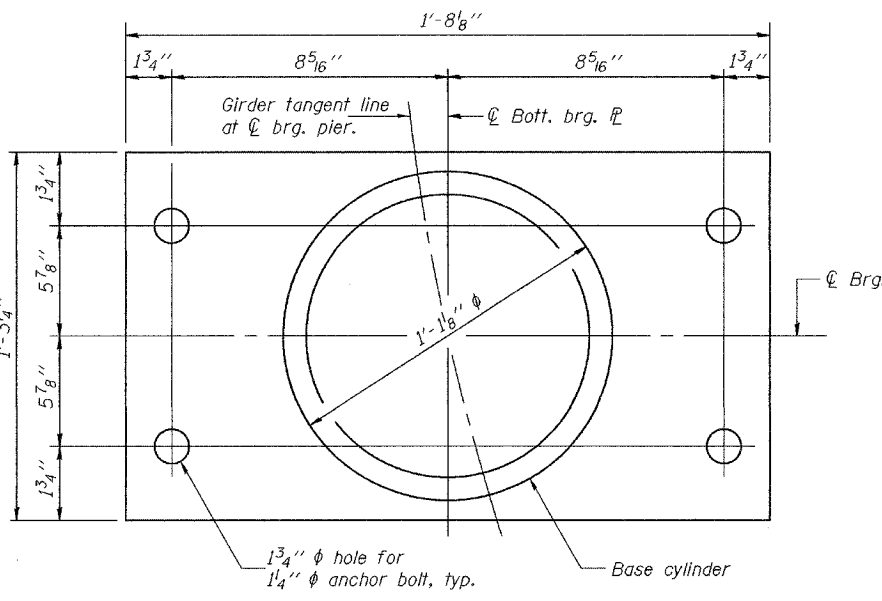
SECTION A-A



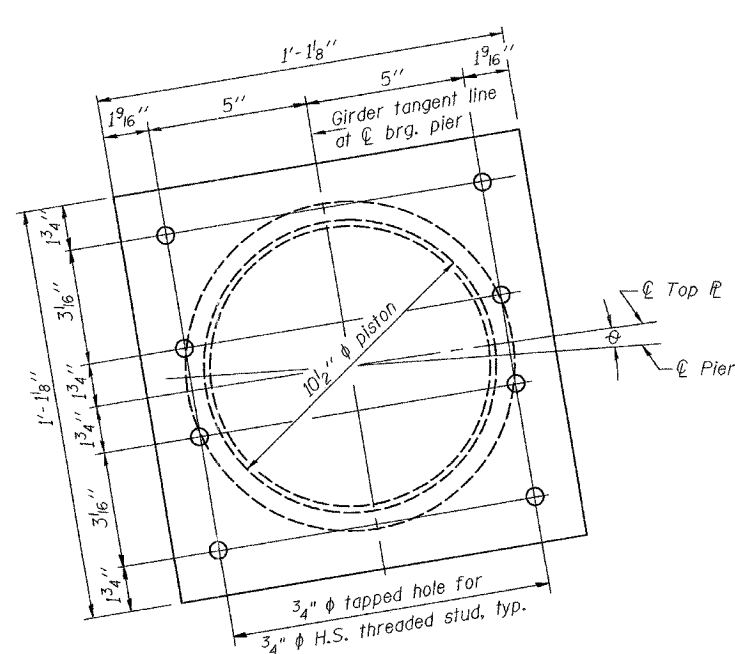
SECTION B-B

* Dimensions perpendicular to girder tangent line at ϕ brg. pier.
** Dimensions along ϕ girder and top brg. ϕ .

FIXED FLOATING BEARING



BOTTOM BEARING P AND
BASE CYLINDER PLAN



TOP BEARING P AND
PISTON PLAN

Notes: The plates of the Bearing Assembly shall be AASHTO M270, Grade 50.
For anchor bolt installation details, see sheet 23 of 35.

BEARING DATA	
Vertical design load	246 kip
Lateral design load	55.2 kip

TOP BEARING P
ANGLES

Girder No.	ϕ
1	2°27'36"
2	2°29'00"
3	2°30'25"
4	2°31'52"
5	2°33'21"
6	2°34'52"
7	2°36'24"
8	2°37'59"

BILL OF MATERIAL

Item	Unit	Total
Erecting Floating Bearings, Fixed 250 kip	Each	8

BEARING DETAILS
F.A.I. RT. 80 - SEC. (50-2)HBR
LaSALLE COUNTY
STATION 62+39.22
STRUCTURE NO. 050-0230

DESIGNED	CME
CHECKED	RLM
DRAWN	h.t. parsons
CHECKED	CME/RLM

Nov. 29, 2004
EXAMINED *Thomas J. Demagala*
ENGINEER OF BRIDGE DESIGN
PASSED *Ralph E. Anderson*
ENGINEER OF BRIDGES AND STRUCTURES