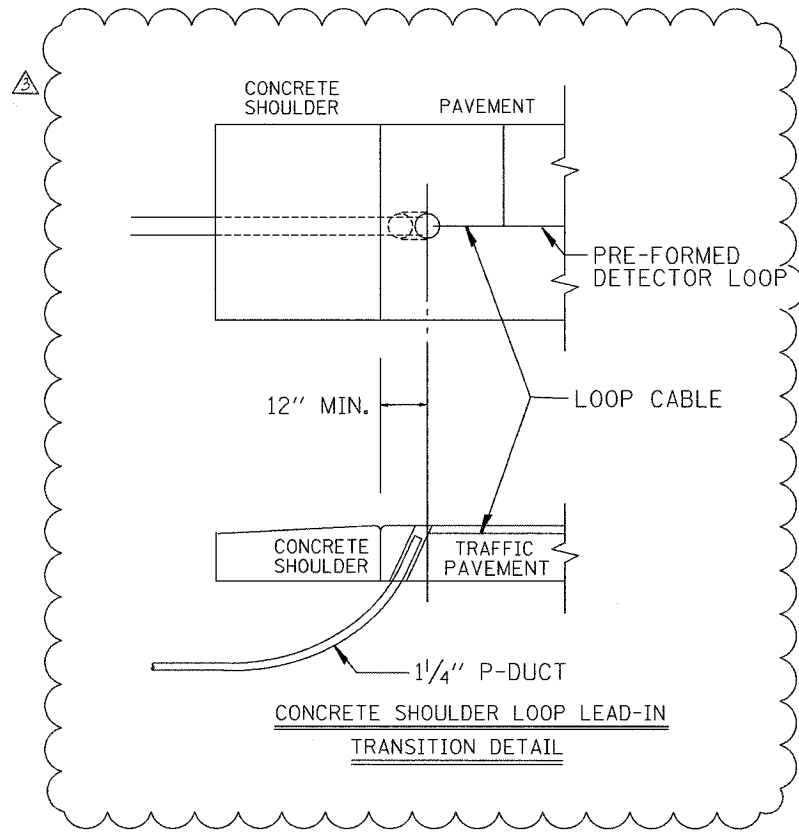
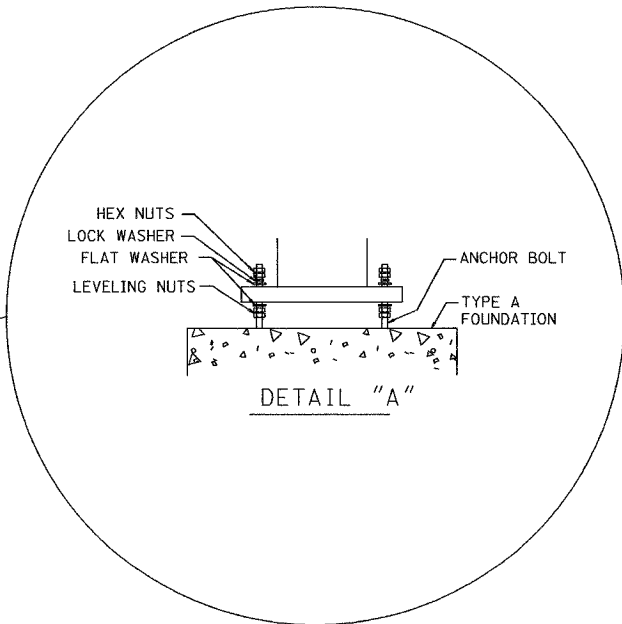
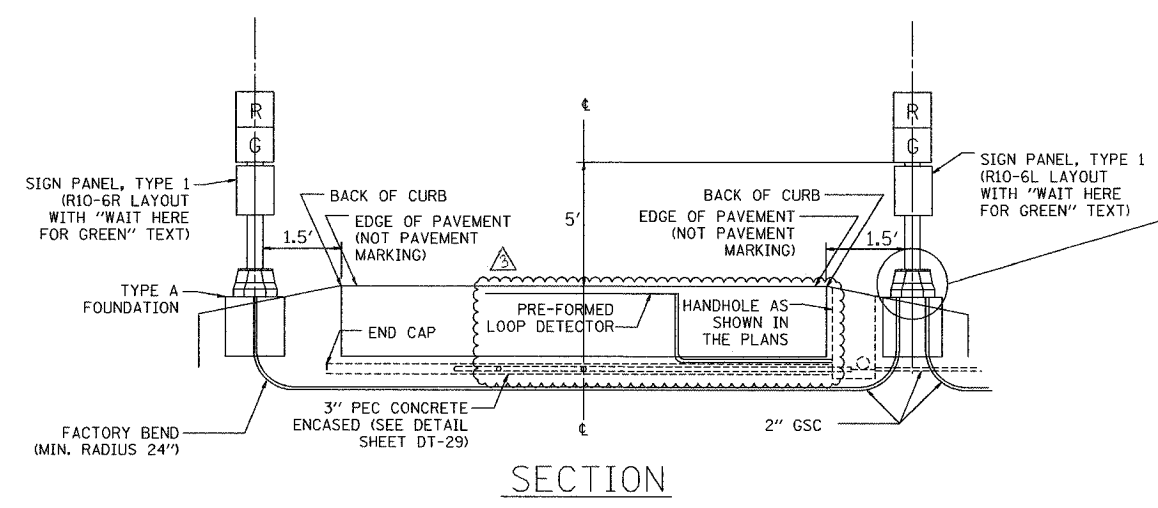


TABLE 1

WIDTH (W)	WIDTH (S)
12'	8'
13'	9'
14'	10'
15'	11'
16'	12'
17'	13'
18'	14'
19'	15'
20'	16'
21'	17'
22'	18'
23'	19'
24'	20'
25'	21'



TYPICAL SIGNAL AND LOOP LAYOUT (TYPE I)



TYPICAL BREAKWAY POLE BASE

Edwards AND Kelcey
 ONE NORTH FRANKLIN
 CHICAGO, IL 60606
 PHONE: (312) 251-3000
 FAX: (312) 251-3015
 WEB: WWW.EDKCORP.COM

REVISIONS	
NAME	DATE
REVISION	2/11/05

ILLINOIS DEPARTMENT OF TRANSPORTATION
 F.A.I. 94/90 (DAN RYAN EXPRESSWAY)
 31st STREET to I-57
 TYPICAL RAMP METERING INSTALLATION
 TYPE I (FOR RAMPS WITHOUT CURBS
 AND GUTTERS)
 SCALE: NTS
 DATE: October 29, 2004
 DRAWN BY: NB
 CHECKED BY: CTC

DT-33

02/09/2005 09:16:00 AM