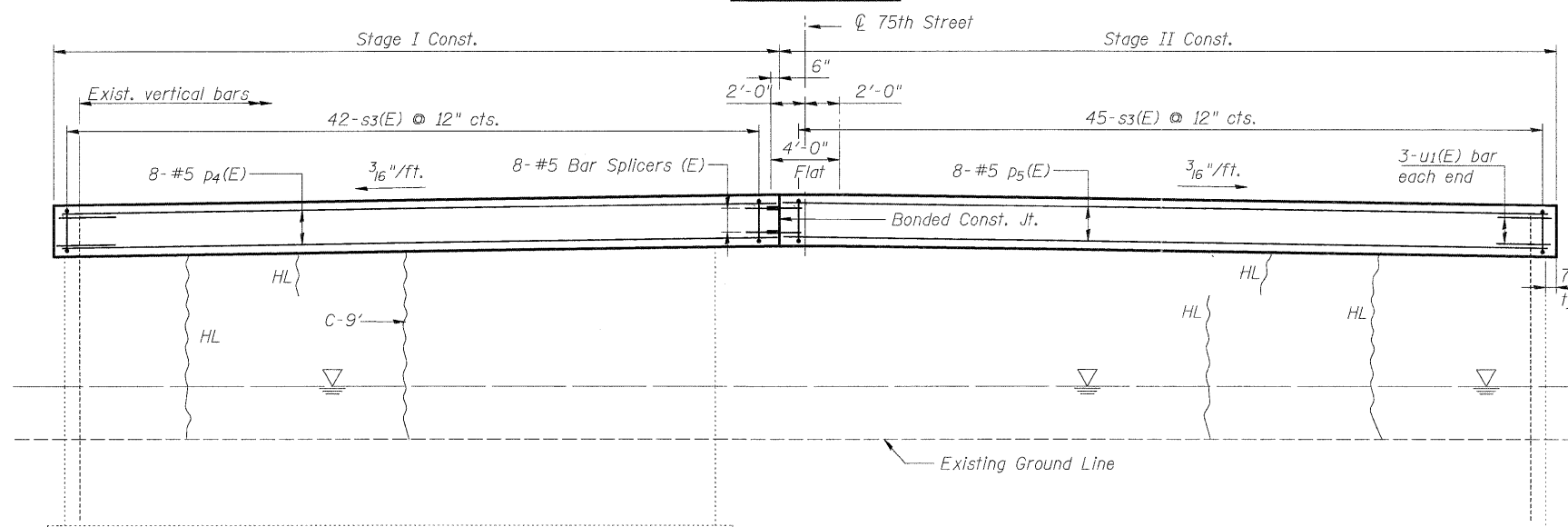
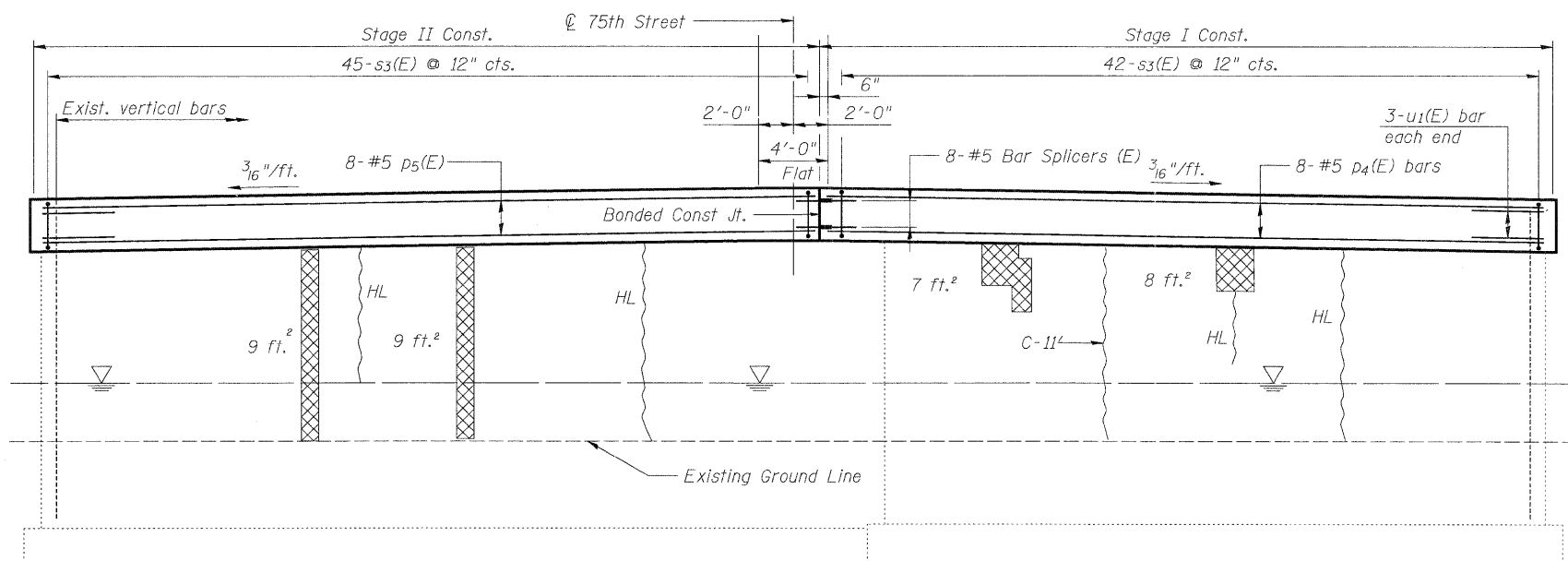


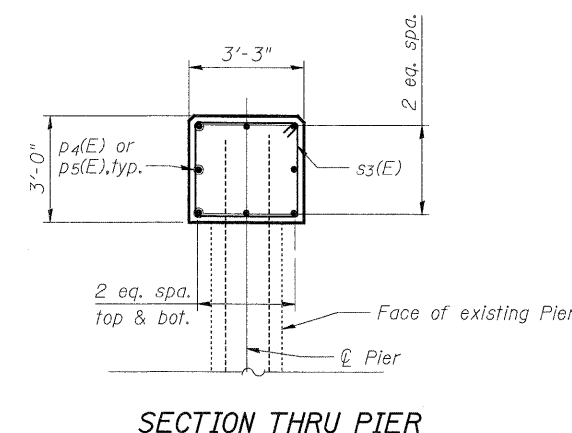
**PIER 2 PLAN**



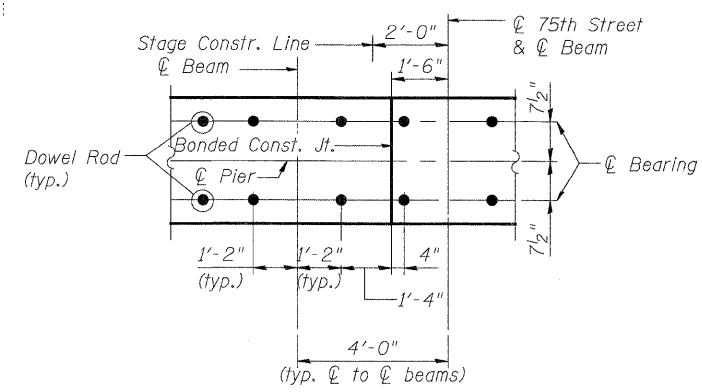
**PIER 2 ELEVATION**  
(Looking West)



**PIER 2 ELEVATION**  
(Looking East)



**SECTION THRU PIER**



**DETAIL "D"**

**PIER 2  
BILL OF MATERIAL**

Bar	No.	Size	Length	Shape	
p4(E)	8	#5	40'-7"	—	
p5(E)	8	#5	43'-7"	—	
s3(E)	87	#4	11'-11"	□	
u1(E)	6	#4	8'-9"	⌋	
Concrete Structures				Cu. Yd.	31.7
Reinforcement Bars, Epoxy Coated				Pound	1430
Structural Repair of Concrete (Depth Equal to or Less Than 5")				Sq. Ft.	33
Bar Splicers				Each	8
Epoxy Crack Injection				Foot	20

**REPAIR LEGEND**

- Inspection Date 12-2009:
- C-4' } Epoxy Crack Injection (Crack Length)
- ⊗ Structural Repair of Concrete (Depth Equal to or Less than 5")
- HL } Hairline Crack, For Information Only

Notes:  
Structural Repair of Concrete and Epoxy Crack Injection locations and dimensions are estimated from inspection work. Actual locations and dimensions shall be shown by the Engineer on the as-built plans for this section.