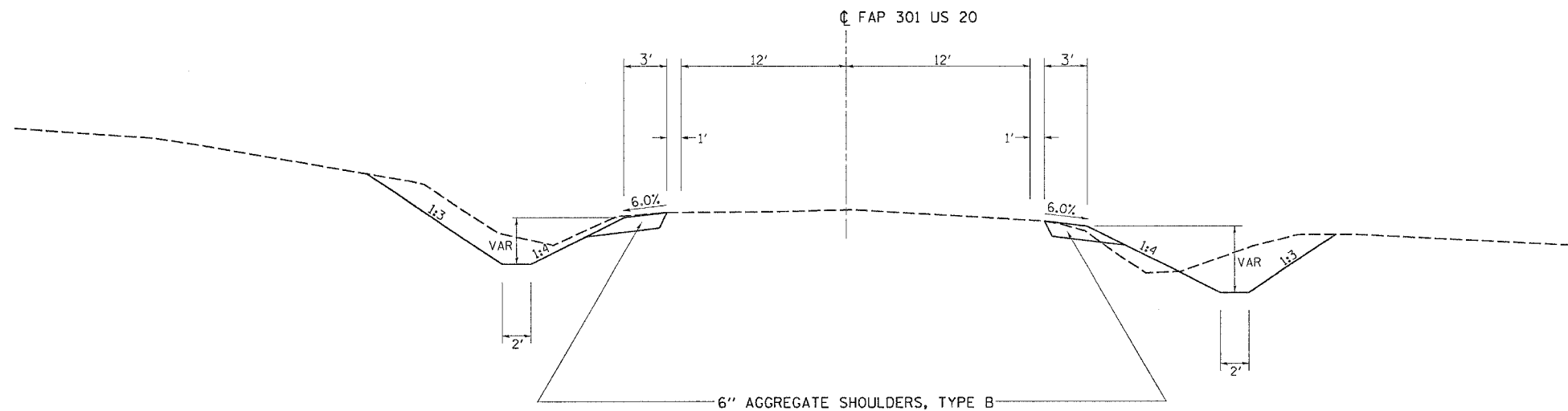


F.A. RTE.	SECTION	COUNTY	TOTAL SHEETS	SHEET NO.
301	21T-1	STEPHENSON	64	8
STA.		TO STA.		
FED. ROAD DIST. NO.		ILLINOIS FED. AID PROJECT		

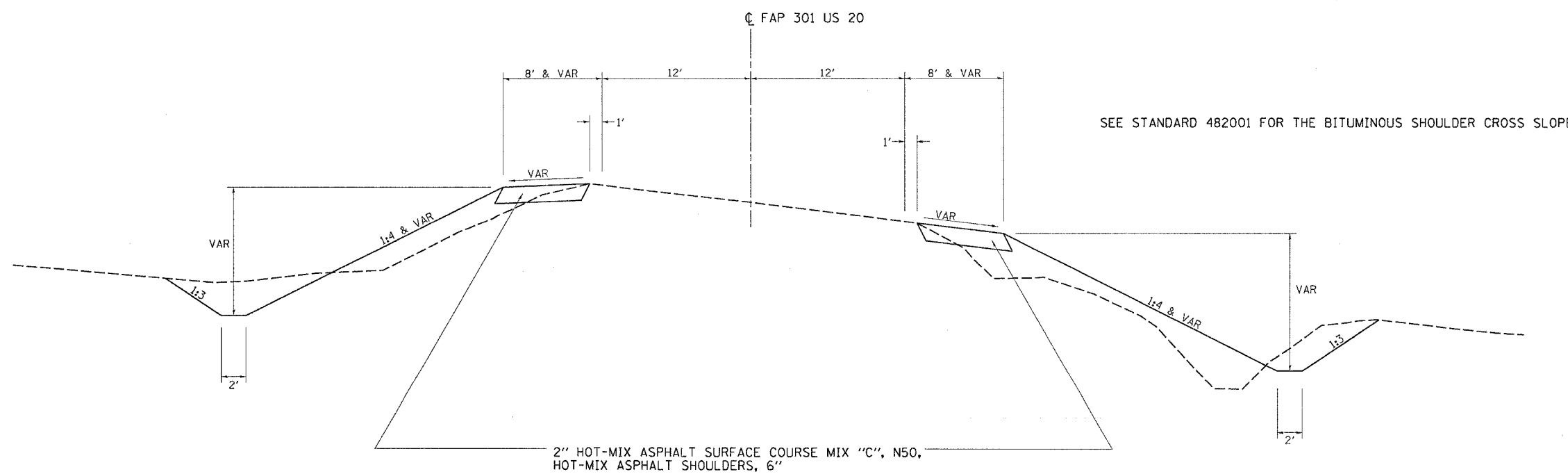
# TYPICAL SECTION

SECTION 21T-1, STEPHENSON COUNTY, P92-111-05

STA 370+50 - STA 373+00 LT  
 STA 371+50 - STA 373+00 RT



STA 373+00 - STA 374+67.12  
 STA 375+02.12 - STA 389+37  
 STA 385+62 - STA 389+50



PLT DATE = Mon, Dec 11 09:51:48 2006  
 PLOT SCALE = 50.0000 / IN.  
 REFERENCE = REF#