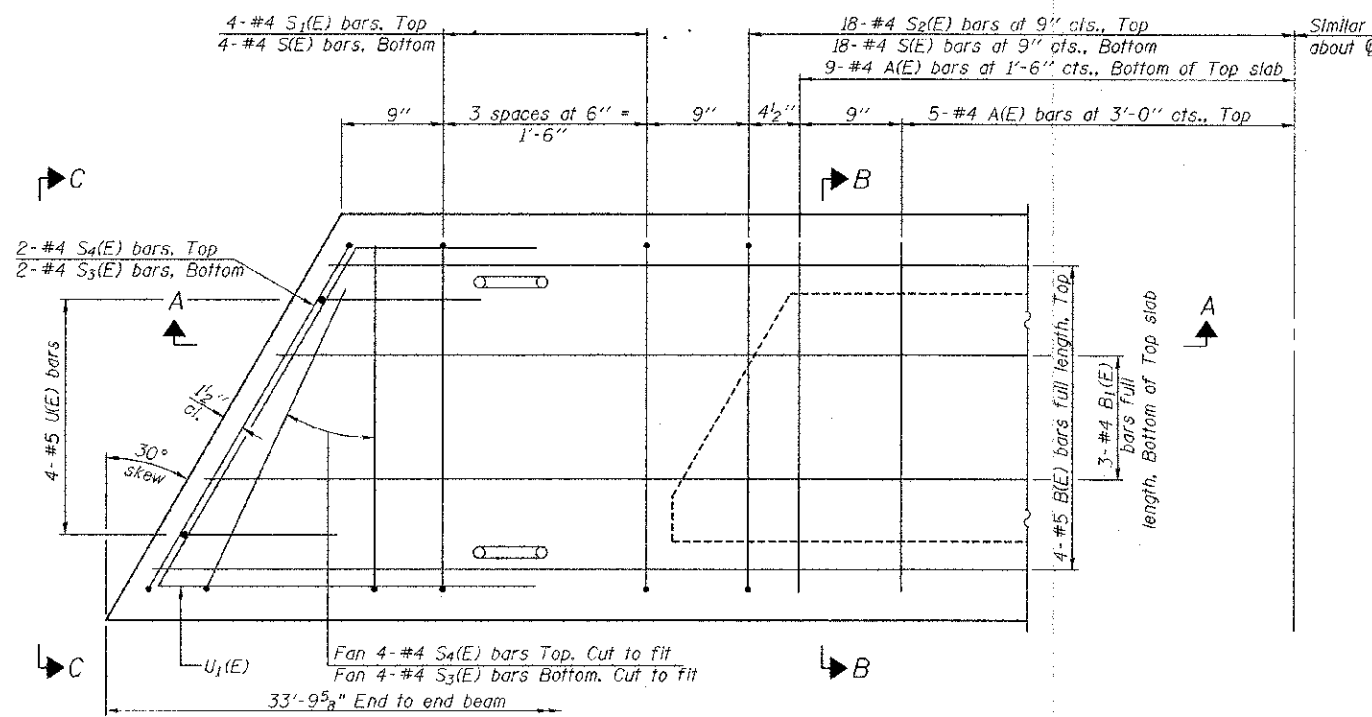
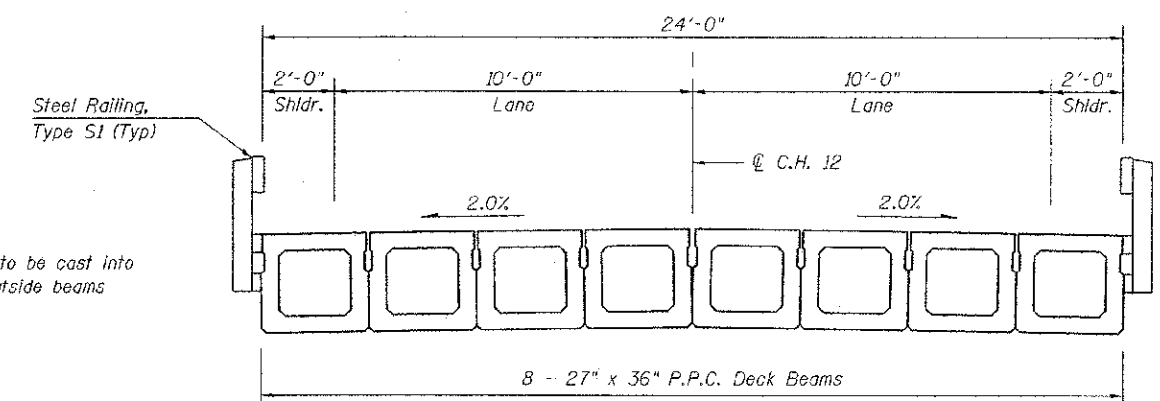


SECTION A-A



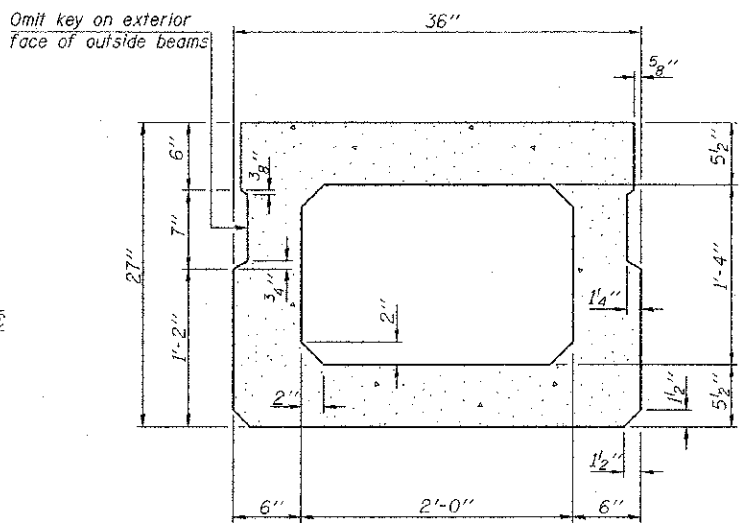
PLAN VIEW

Note: Spacing of S(E) and S2(E) bars may be adjusted up to 4" in the immediate area of the transverse tie diaphragms to miss the block outs for the transverse ties.

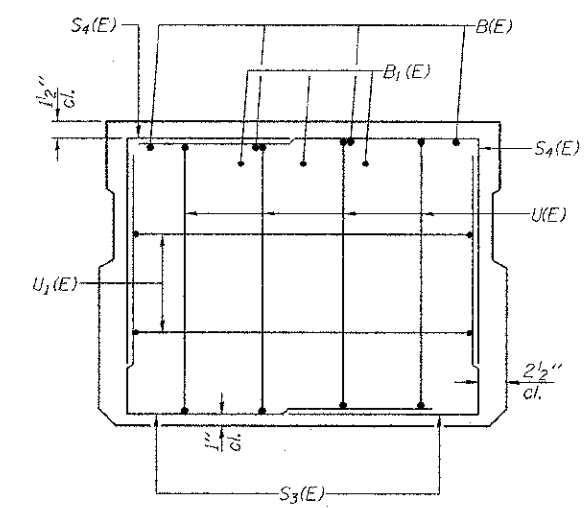


CROSS SECTION

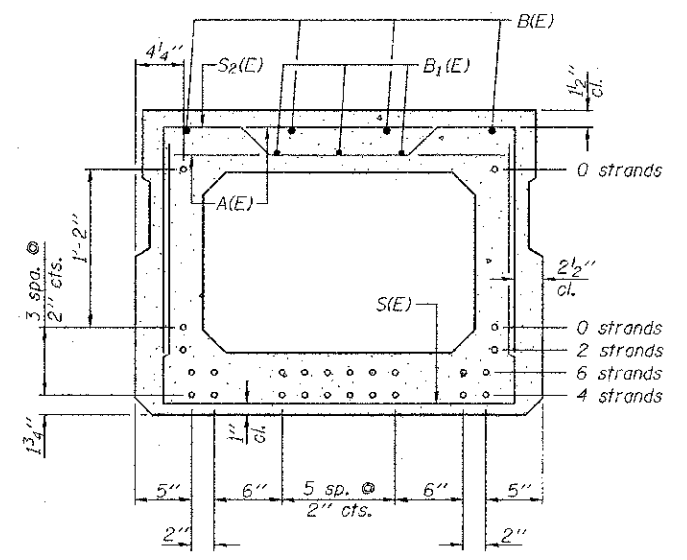
\* Rail Post Anchors to be cast into exterior face of outside beams



SECTION B-B (Showing dimensions)



VIEW C-C



SECTION B-B

(Showing reinforcement and permissible strand locations)  
Note: Place the number of strands specified in each row symmetrically about the centerline of beam in the permissible strand locations shown.

MINIMUM BAR LAP  
#4 bar = 2'-0"  
#5 bar = 2'-6"

BAR LIST  
ONE BEAM ONLY  
(For information only)

Bar	No.	Size	Length	Shape
A(E)	28	#4	2'-7"	—
B(E)	4	#5	33'-3"	—
B1(E)	3	#4	33'-3"	—
S(E)	44	#4	6'-5"	⌊
S1(F)	8	#4	5'-11"	⌊
S2(E)	36	#4	6'-2"	⌊
S3(E)	12	#4	4'-7"	⌊
S4(E)	12	#4	4'-4"	⌊
U(E)	8	#5	4'-6"	⌊
U1(E)	4	#4	6'-10"	⌊

Note: See sheet 4 of 11 for additional details and Bill of Material.

PD-2736-L

7-1-10

STATE OF ILLINOIS  
DEPARTMENT OF TRANSPORTATION

27" x 36" PPC DECK BEAM  
SPAN 1 & 3 - STRUCTURE NO. 087-3574

SHEET NO. 3 OF 11 SHEETS

C.H. RTE.	SECTION	COUNTY	TOTAL SHEETS	SHEET NO.
12	09-00267-00-BR	SHELBY	24	16

CONTRACT NO. 95700  
ILLINOIS FED. AID PROJECT