

**EMERGENCY VEHICLE PREEMPTION SEQUENCE**

EMERGENCY VEHICLE PREEMPTORS		
EMERGENCY VEHICLE PREEMPTOR	3	4
MOVEMENT	← →	↑ ↓

I. D. O. T. TRAFFIC SIGNAL INSTALLATION ELECTRICAL SERVICE REQUIREMENTS					
TYPE	NO. LAMPS	WATTAGE		% OPERATIONS	TOTAL WATTAGE
		INCAND.	LED		
SIGNAL ( RED )	12	135	17	0.50	102
( YELLOW )	12	135	25	0.25	75
( GREEN )	12	135	15	0.25	45
ARROW	8	135	12	0.10	10
PED. SIGNAL	8	90	25	1.00	200
CONTROLLER	1	100	100	1.00	100
ILLUM. SIGN		252	25	0.05	
VIDEO SYSTEM		150	-	1.00	
TOTAL =					532
ENERGY COSTS- BILLED TO: VILLAGE OF LAKE VILLA 65 CEDAR AVENUE LAKE VILLA, IL 60046					
ENERGY SUPPLY - CONTACT TERRI BLECK PHONE 847-816-5239 COMMONWEALTH EDISON					

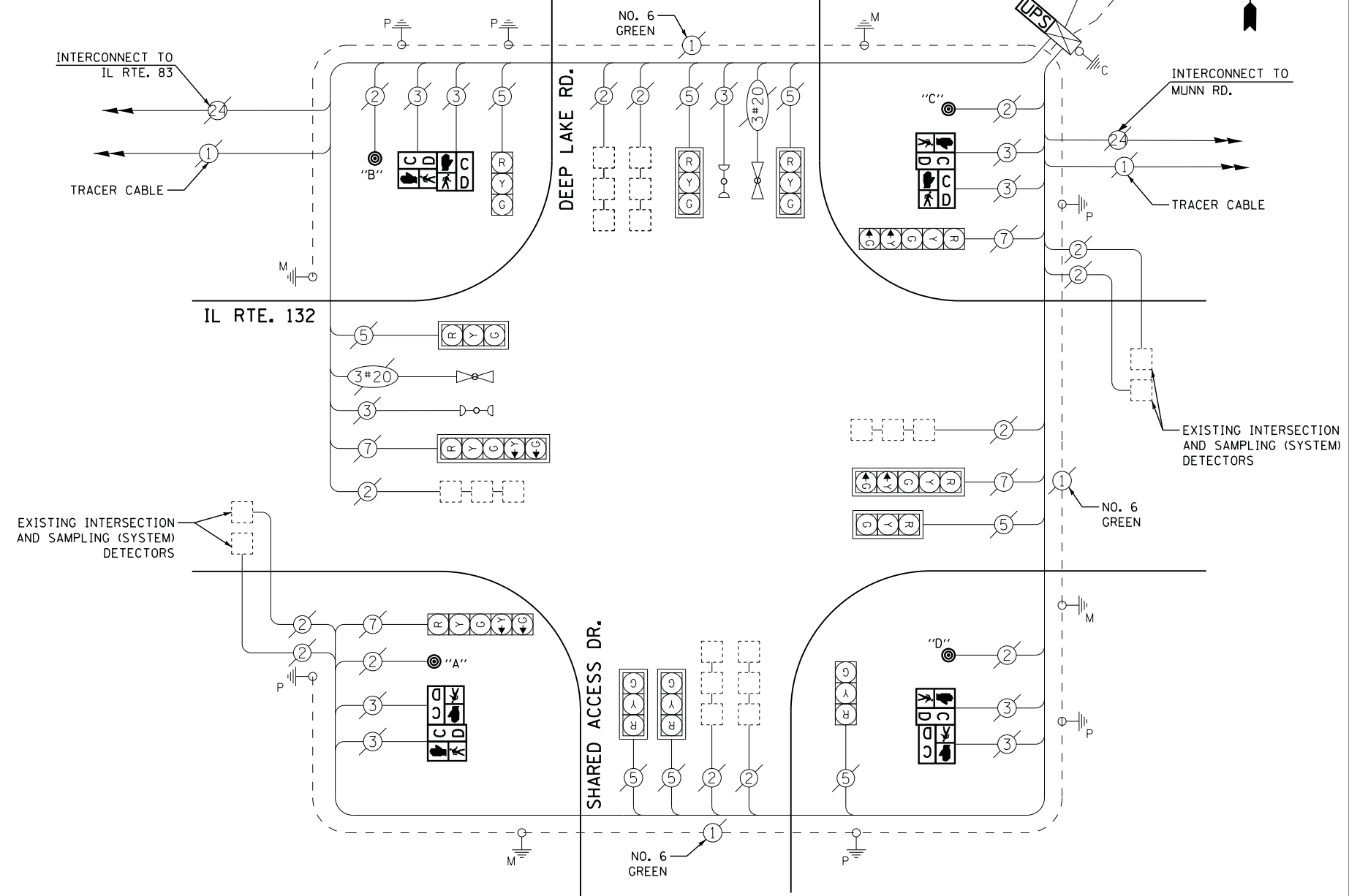
**SCHEDULE OF QUANTITIES**

QUANTITY	UNIT	ITEM
1	EACH	MAINTENANCE OF EXISTING TRAFFIC SIGNAL INSTALLATION
4	EACH	PEDESTRIAN SIGNAL HEAD, LED, 2-FACE, BRACKET MOUNTED WITH COUNTDOWN TIMER
1	EACH	MODIFY EXISTING CONTROLLER CABINET
1	EACH	REMOVE EXISTING TRAFFIC SIGNAL EQUIPMENT
1	EACH	UNINTERRUPTABLE POWER SUPPLY, SPECIAL
4	EACH	PEDESTRIAN PUSH-BUTTON, NON-LATCHING

**REMOVAL OF EXISTING TRAFFIC SIGNAL EQUIPMENT**

THE FOLLOWING ITEMS SHALL BE REMOVED BY THE CONTRACTOR AND SHALL BE DISPOSED OF BY THEM OUTSIDE THE RIGHT-OF-WAY AT THEIR EXPENSE. THE SALVAGE VALUE OF THE REMOVED EQUIPMENT SHALL BE REFLECTED IN THE CONTRACT BID PRICE.

8	EACH	PEDESTRIAN SIGNAL HEAD
4	EACH	PEDESTRIAN PUSH-BUTTON



**CABLE PLAN**

NOTES:  
 PUSH BUTTON "A" SHALL PLACE A CALL IN PHASED 2 AND 4  
 PUSH BUTTON "B" SHALL PLACE A CALL IN PHASED 4 AND 6  
 PUSH BUTTON "C" SHALL PLACE A CALL IN PHASED 6 AND 8  
 PUSH BUTTON "D" SHALL PLACE A CALL IN PHASED 2 AND 8

STATE OF ILLINOIS  
 DEPARTMENT OF TRANSPORTATION

IL ROUTE 132 (GRAND AVENUE) AT DEEP LAKE ROAD  
 SCHEDULE OF QUANTITIES, CABLE PLAN, PHASE DESIGNATION DIAGRAM  
 AND EMERGENCY VEHICLE PREEMPTION SEQUENCE

F.A. RTE.	SECTION	COUNTY	TOTAL SHEETS	SHEET NO.
	2012-040TS	LAKE	60	38
CONTRACT NO. 60T85				
ILLINOIS FED. AID PROJECT				

FILE NAME	USER NAME	DESIGNED	REVISED
N:\Projects\312004\Design\CAD\Sheet Files\12-004 Sheets NW Lake Co\7080_CAB.LAKE.dgn	*USER*	DW	-
		DRAWN	JDH
		CHECKED	KMM
		DATE	-

TS# 7080  
 LAKE VILLA