

**THOUVENOT, WADE & MOERCHEN, INC.**  
ENGINEERS • SURVEYORS • PLANNERS



- CORPORATE OFFICE  
4940 OLD COLLINSVILLE RD.  
SWANSEA, ILLINOIS 62226  
TEL (618) 624-4488  
FAX (618) 624-6688  
corp@twm-inc.com
- WATERLOO OFFICE  
113 SOUTH MAIN STREET  
WATERLOO, ILLINOIS 62298  
TEL (618) 939-5050  
FAX (618) 939-3938  
waterloo@twm-inc.com
- EDWARDSVILLE OFFICE  
1015B CENTURY DRIVE  
EDWARDSVILLE, ILLINOIS 62025  
TEL (618) 656-4040  
FAX (618) 656-4343  
edwardsville@twm-inc.com
- ST. LOUIS OFFICE  
1001 CRAIG ROAD, SUITE 260  
ST. LOUIS, MISSOURI 63146  
TEL (314) 236-5052  
FAX (314) 872-2194  
stlouis@twm-inc.com

PROFESSIONAL REGISTRATIONS/LICENSE NO.  
ILLINOIS PROFESSIONAL DESIGN FIRM 164-001220  
PROFESSIONAL ENGINEERING CORP. 02-03370  
PROFESSIONAL STRUCTURAL ENGR. CORP. 01-05202  
ILLINOIS PROF. LAND SURVEYING CORP. 048-000229  
MISSOURI PROFESSIONAL ENGR. CORP. NC 001528  
MISSOURI LAND SURVEYING CORP. NC 000346

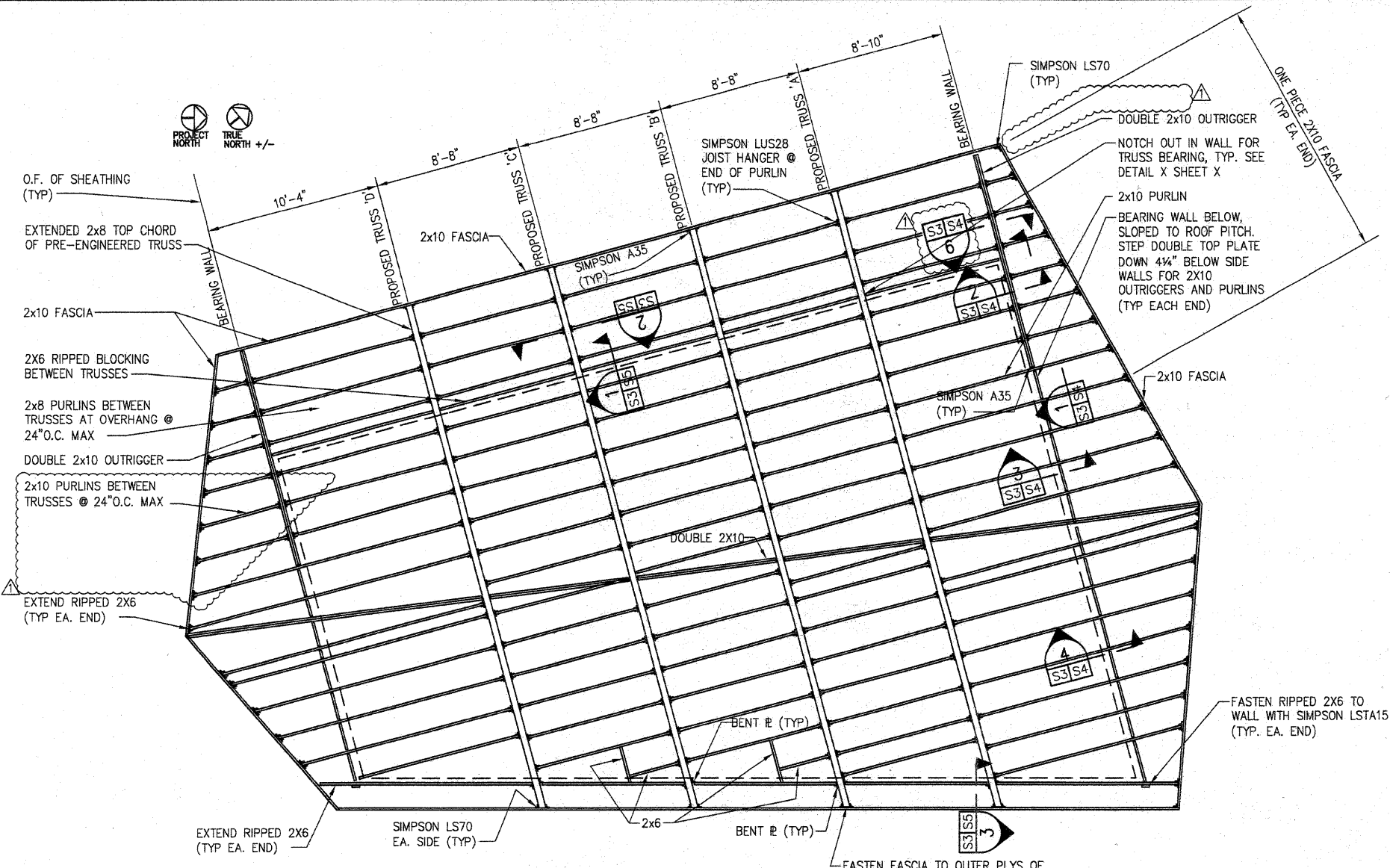
SEAL  
Signature: \_\_\_\_\_  
Expiration Date: \_\_\_\_\_  
STATEMENT OF RESPONSIBILITY  
I hereby confirm that the document herein to be authorized by my seal is restricted to this sheet, and I hereby disclaim any responsibility for all other drawings, specifications, estimates, reports or other documents or instruments relating to or intended to be utilized for any other part of the architectural, engineering or survey project.

TITLE: **ROOF FRAMING PLAN AND SHEAR WALL PLAN**  
PROJECT: **CHESTER WELCOME CENTER**

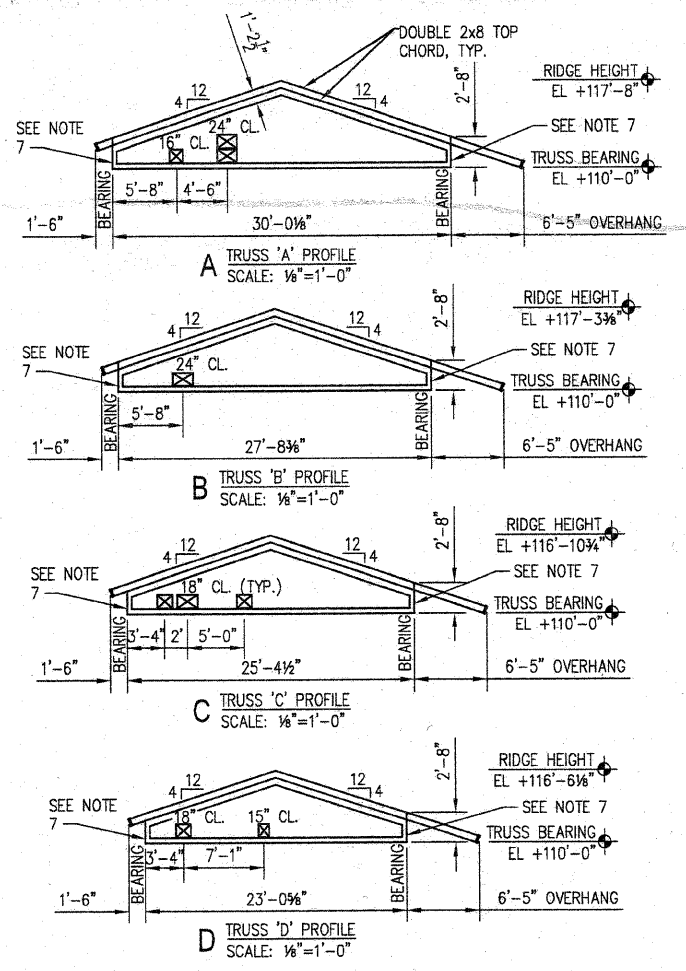
REV	DATE	DESCRIPTION
1	2/23/08	FRAMING REVISIONS

DRAWN BY: DJH SHEET  
DESIGNED BY: DJH **S3**  
CHECKED BY: KPC OF 9 SHEETS  
APPROVED BY: KPC PROJECT DESCRIPTION

PROJECT NUMBER: T33050421  
 ISSUED FOR REVIEW  ISSUED FOR BIDDING  
 ISSUED FOR CONSTR.  RECORD DRAWING



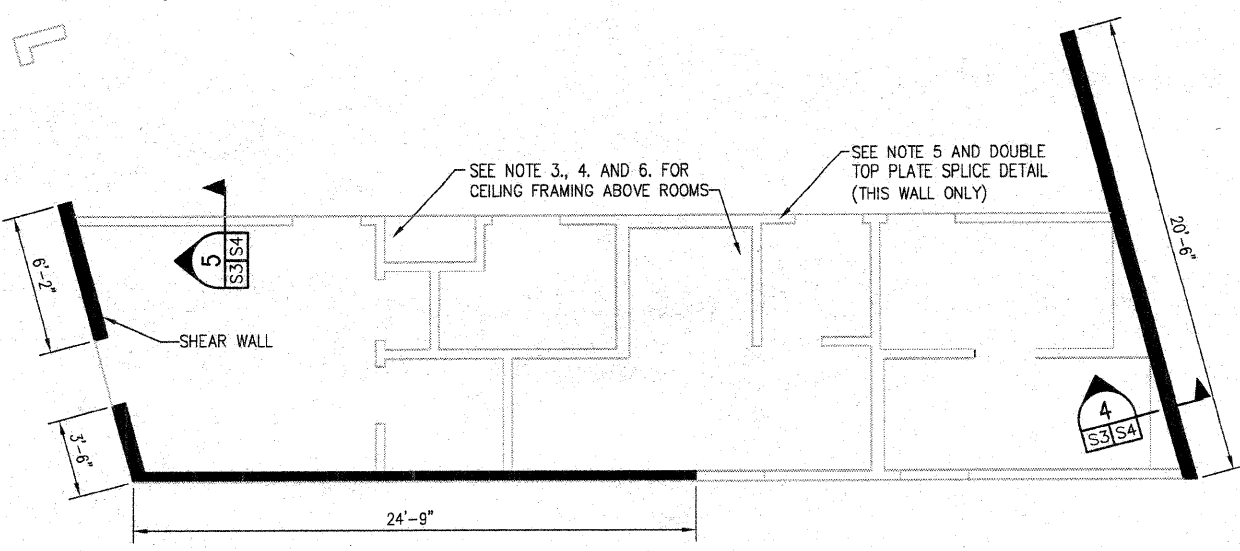
**ROOF FRAMING PLAN**



**TRUSS 'A' PROFILE**  
**TRUSS 'B' PROFILE**  
**TRUSS 'C' PROFILE**  
**TRUSS 'D' PROFILE**

- NOTES:**
1. SEE SHEET A2.3 FOR PROPOSED TRUSS TYPES A,B,C&D.
  2. TRUSSES TO BE 3 PLY.
  3. CEILING JOIST SIZE SHALL MATCH SIZE OF TRUSS BOTTOM CHORDS. SEE CEILING FRAMING SCHEDULE.
  4. INSTALL ALL WOOD STRUCTURAL PANEL SHEATHING BEFORE FRAMING WALLS EXCEPT AS STIPULATED IN NOTE 5.
  5. FRAME THIS WALL BEFORE INSTALLING WOOD STRUCTURAL PANEL SHEATHING ON CEILING.
  6. ALL CEILING STRUCTURAL WOOD PANEL EDGES THAT ARE NOT ATTACHED TO FRAMING OR NAILERS SHALL BE BACKED WITH 2X4 WOOD BLOCKING AND FASTENED WITH .131X2 1/2" NAILS.
  7. END POSTS OF TRUSSES SHALL BE 2X6 MIN.
  8. 2X6, 2X8 AND 2X10 ROOF AND CEILING FRAMING LUMBER SHALL BE NO. 2 S.P. OR BETTER. SEE WALL SCHEDULES AND STRUCTURAL WOOD SPECIFICATIONS IN THE SPECIAL PROVISIONS FOR OTHER FRAMING LUMBER TYPES AND GRADES.

LUMBER SIZE	SPACING UNDER HVAC UNITS	SPACING ELSEWHERE	TRUSS FRAMING CONNECTION
2X6	12"	16"	LUS26
2X8	16"	24"	LUS28



**SHEAR WALL PLAN**