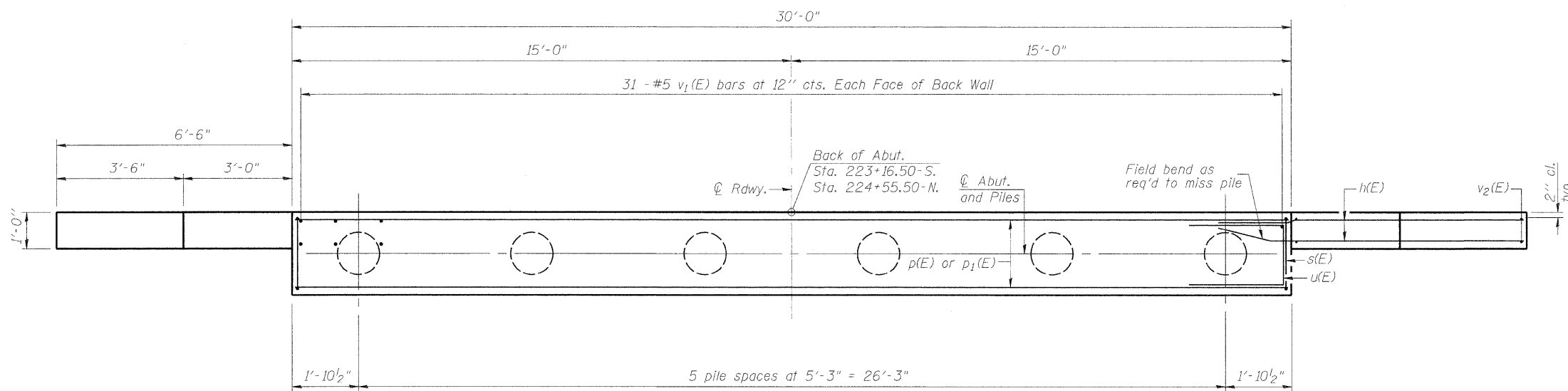


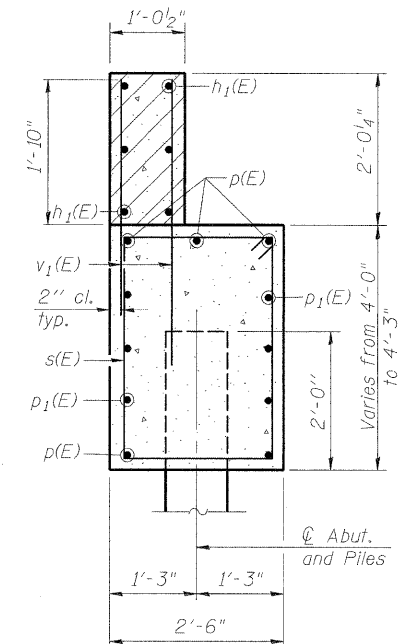
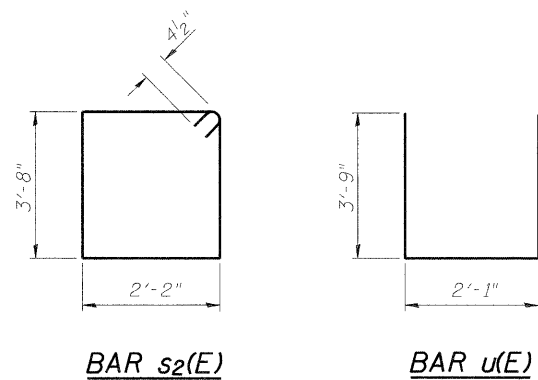
**ELEVATION**



**PLAN**

**PILE DATA**

Type: Metal Shell - 14" dia. x 0.25" wall  
 Nominal Required Bearing: 276 kips  
 Factored Resistance Available: 138 kips  
 Est. Length: 42 ft.  
 No. Production Piles: 8 (4 at each abut.)  
 No. Test Piles: 2 (1 at each abut.)



**SEC. THRU ABUT.**

**BILL OF MATERIAL FOR TWO ABUTMENTS**

Bar	No.	Size	Length	Shape
h(E)	64	#5	9'-0"	—
h1(E)	12	#4	29'-8"	—
p(E)	10	#7	29'-8"	—
p1(E)	12	#5	29'-8"	—
s(E)	62	#4	12'-5"	□
u(E)	20	#6	9'-7"	U
v1(E)	124	#5	3'-0"	—
v2(E)	56	#5	5'-8"	—
Structure Excavation		Cu. Yd.	93	
Concrete Structures		Cu. Yd.	31.8	
Reinforcement Bars, Epoxy Coated		Pound	3340	
Furnishing Metal Shells		Foot	420	
Driving Piles		Foot	420	
Test Pile, Metal Shell		Each	2	

For details of piles and Metal Shell Reinforcement, see sheet 10 of 11.  
 Space cap reinforcement to miss Dowel Rods.  
 Hatched area to be poured after deck beams are in place.

**PILE BENT ABUTMENT DETAILS**

**LYNDON ROAD BRIDGE  
 OVER ROCK CREEK  
 F.A.S. ROUTE 76  
 SECTION 06-00183-00-BR  
 WHITESIDE COUNTY, ILLINOIS  
 STRUCTURE NUMBER 098-3077  
 STATION 223+86.00**

LAYOUT: SMK 09/11/09  
 DRAWN: JDM 12/11/09  
 REVIEWED: SMK 12/11/09  
 12-V0-2009  
 I:\08\065\08\056\CADD\Struct\Sheet\08-Abut Detail.dwg

Corporate License Number 084-001-084  
 © Copyright Hanson Professional Services Inc. 2009  
 SHEET NO. 8 OF 11 SHEETS  
 F.A.S. ROUTE 76 SECTION 06-00183-00-BR COUNTY Whiteside TOTAL SHEETS 21 SHEET NO. 15  
 CONTRACT NO. 85506  
 FED. ROAD DIST. NO. 2 ILLINOIS FED. AID PROJECT  
**HANSON**