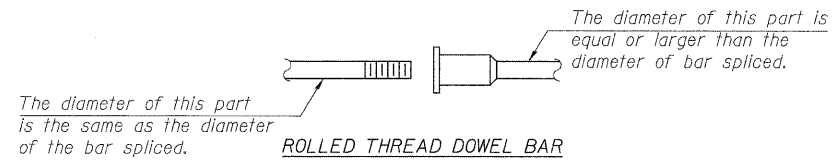
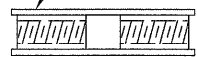


STATE OF ILLINOIS  
DEPARTMENT OF TRANSPORTATION



\*\* ONE PIECE

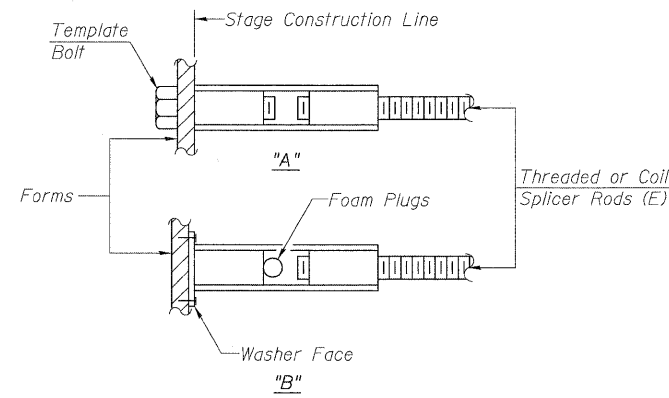
Wire Connector



WELDED SECTIONS

BAR SPLICER ASSEMBLY ALTERNATIVES

\*\*Heavy Hex Nuts conforming to ASTM A 563, Grade C, D or DH may be used.



INSTALLATION AND SETTING METHODS

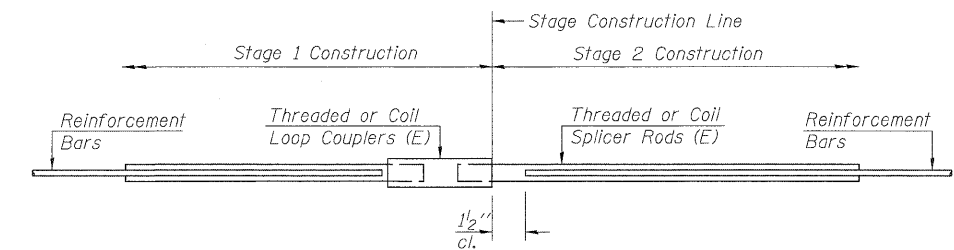
"A" : Set bar splicer assembly by means of a template bolt.  
"B" : Set bar splicer assembly by nailing to wood forms or cementing to steel forms.  
(E) : Indicates epoxy coating.

NOTES

Bar splicer assemblies shall be of an approved type and shall develop in tension at least 125 percent of the yield strength of the lapped reinforcement bars.  
Splicer rods shall be of minimum 60 ksi yield strength, threaded or coiled full length.  
All reinforcement bars shall be lapped and tied to the splicer rods or dowel bars.  
Bar splicer assemblies shall be epoxy coated according to the requirements for reinforcement bars.  
Other systems of similar design may be submitted to the Engineer for approval. Approval shall be based on certified test results from an approved testing laboratory that the proposed bar splicer assembly satisfies the following requirements:

- ① Minimum Capacity =  $1.25 \times f_y \times A_t$   
(Tension in kips)
  - ② Minimum \*Pull-out Strength =  $0.66 \times f_y \times A_t$   
(Tension in kips)
- Where  $f_y$  = Yield strength of lapped reinforcement bars in ksi.  
 $A_t$  = Tensile stress area of lapped reinforcement bars.  
\* = 28 day concrete

BAR SPLICER ASSEMBLIES			
Bar Size to be Spliced	Splicer Rod or Dowel Bar Length	Strength Requirements	
		Min. Capacity kips - tension	Min. Pull-Out Strength kips - tension
#4	1'-8"	14.7	7.9
#5	2'-2"	23.0	12.3
#6	2'-7"	33.1	17.4
#7	3'-5"	45.1	23.8



STANDARD

Bar Size	No. Assemblies Required	Location
#4	25	Top Slab
#5	58	Top & Bott. Slab
#6	30	Top Slab
#6	27	Side Walls
#7	38	Top & Bott. Slab

BAR SPLICER ASSEMBLY DETAILS  
S.N. 026-2020

DESIGNED	SCD
CHECKED	DRB
DRAWN	THW
CHECKED	



IE CONSULTANTS, INC.  
6420 SOUTH SIXTH STREET  
SPRINGFIELD, ILLINOIS 62712  
TEL. (217) 529-8027  
FAX (217) 529-4543  
IESPRINGFIELD@IE-CONSULTANTS.COM  
WWW.IE-CONSULTANTS.COM

SHEET NO. 7 OF 9 SHEETS	F.A. RTE.	SECTION	COUNTY	TOTAL SHEETS	SHEET NO.
	*	114B-1(1) & 114B-1(2)	FAYETTE	54	25
* F.A.P. RTE. 750, F.A.S. RTE. 719		CONTRACT NO. 74110			
FED. ROAD DIST. NO. -		ILLINOIS	FED. AID PROJECT		