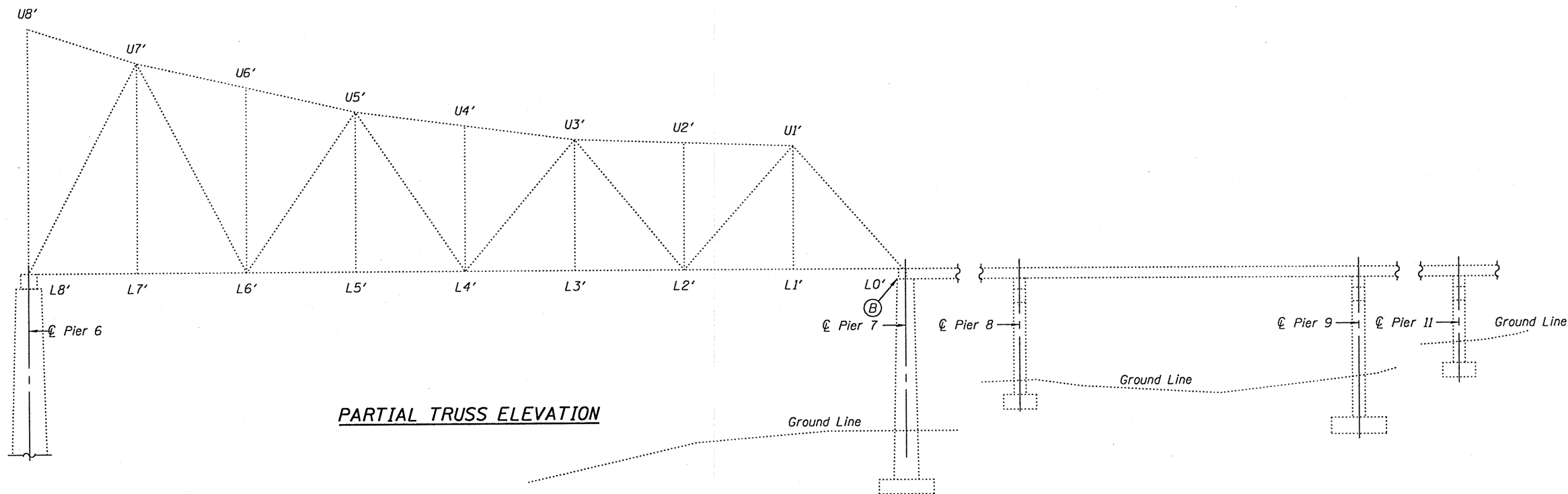
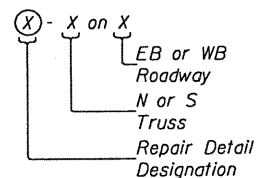
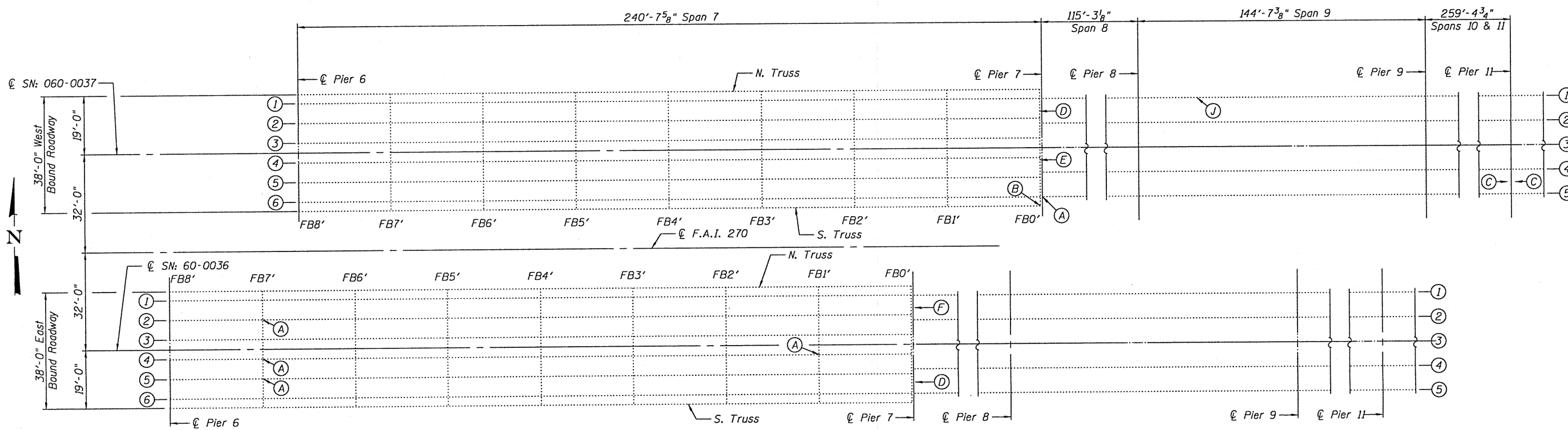


REPAIR LOCATION

LEGEND



PARTIAL TRUSS ELEVATION



PARTIAL PLAN

DESIGNED - A.T.H.	EXAMINED - <i>Carl Kruger</i>
CHECKED - M.K.C.	ENGINEER OF STRUCTURAL SERVICES
DRAWN - Drew Christopher	PASSED - <i>Ralph E. Anderson</i>
CHECKED - A.T.H. M.K.C.	ENGINEER OF BRIDGES AND STRUCTURES

DATE - NOVEMBER 22, 2010

**STATE OF ILLINOIS
DEPARTMENT OF TRANSPORTATION**

**DETAILS
SN 060-0036 & 0037**
SHEET NO. 3 OF 6 SHEETS

F.A.I. RTE. 270	SECTION 60-1B-I-4	COUNTY Madison	TOTAL SHEETS 9	SHEET NO. 6
			CONTRACT NO. 76E58	
ILLINOIS FED. AID PROJECT				