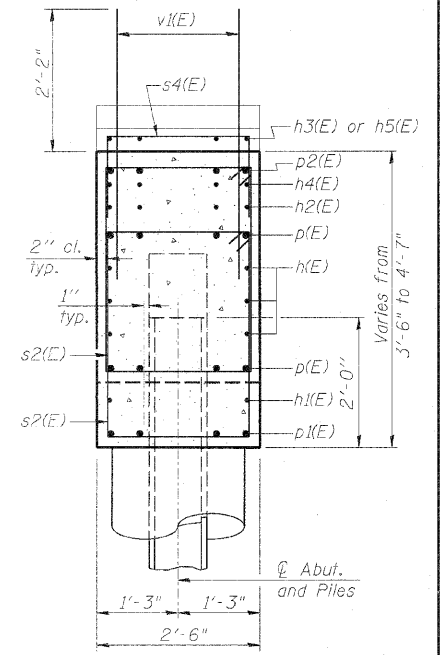
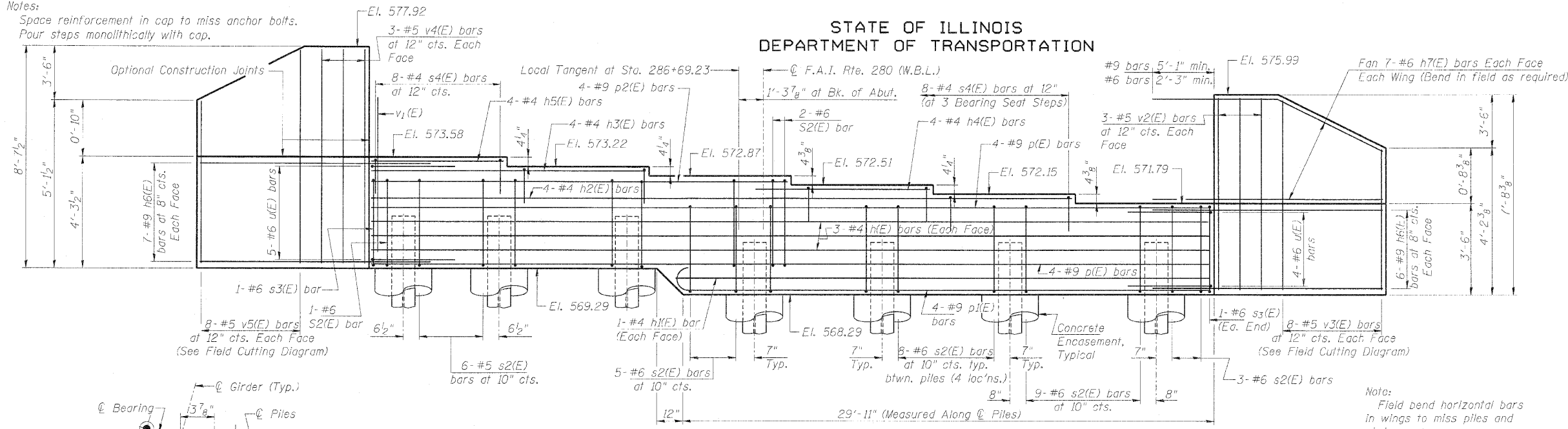


STATE OF ILLINOIS
DEPARTMENT OF TRANSPORTATION

Notes:
Space reinforcement in cap to miss anchor bolts.
Pour steps monolithically with cap.



ELEVATION
(Elevation Section - Cut Along @ Piles - Looking West)

Note:
Field bend horizontal bars in wings to miss piles and girders.
Field cut h2(E), p2(E), h3(E) & h5(E) bars to fit skewed end.

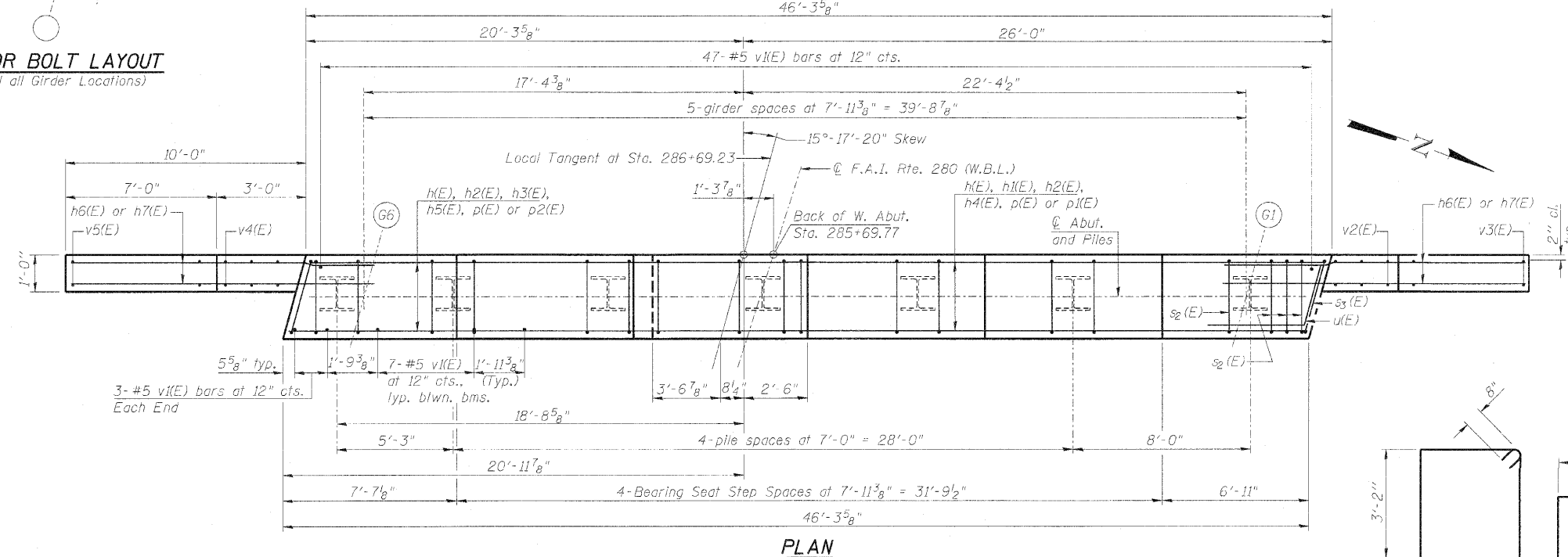
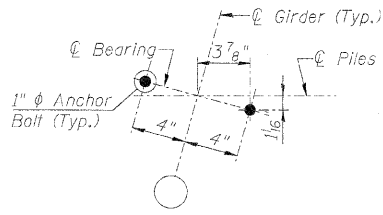
BILL OF MATERIAL - W. Abut. - W.B.L.

Bar	No.	Size	Length	Shape
h(E)	6	#4	45'-11"	
h1(E)	2	#4	30'-0"	
h2(E)	4	#4	39'-0"	
h3(E)	4	#4	15'-2"	
h4(E)	4	#4	9'-5"	
h5(E)	4	#4	7'-3"	
h6(E)	26	#9	14'-11"	
h7(E)	28	#6	12'-6"	
p(E)	8	#9	45'-11"	
p1(E)	4	#9	31'-4"	
p2(E)	4	#9	23'-2"	
s2(E)	58	#6	12'-0"	
s3(E)	2	#6	12'-2"	
s4(E)	32	#4	4'-8"	
u(E)	9	#6	9'-9"	
v1(E)	88	#5	4'-4"	
v2(E)	6	#5	7'-4"	
v3(E)	8	#5	11'-2"	
v4(E)	6	#5	8'-3"	
v5(E)	8	#5	13'-0"	
Structure Excavation			Cu. Yd.	116
Concrete Structures			Cu. Yd.	22.5
Reinforcement Bars, Epoxy Coated			Pound	6260
Furnishing Steel Piles, HP12x63			Foot	133
Driving Piles			Foot	133
Concrete Encasement			Cu. Yd.	2.4
Pile Shoes			Each	7

For details of Bar Splicers, see sheet 34 of 40.
For details of piles and Concrete Encasement, see sheet 35 of 40.

WEST ABUTMENT - W.B.L.
STRUCTURE NUMBERS 081-0026 (E.B.) & 081-0027 (W.B.)

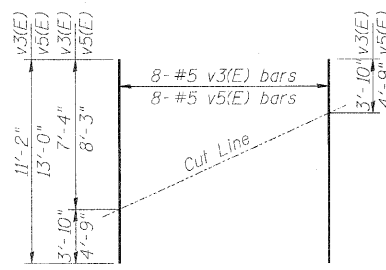
ANCHOR BOLT LAYOUT
(Typical all Girder Locations)



PLAN

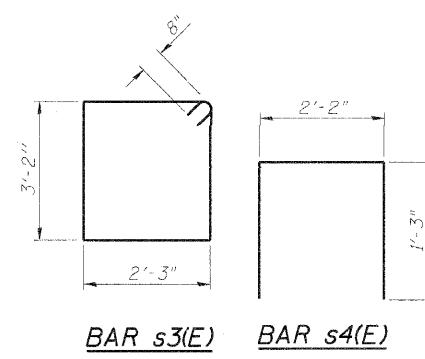
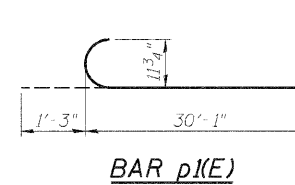
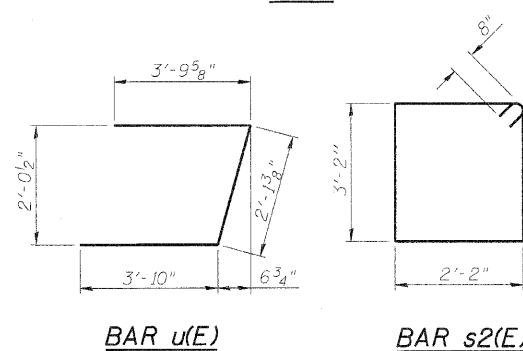
PILE DATA

Type: HP12x63
Nominal Required Bearing: 497 Kips
Allowable Resistance Available: 166 Kips
Est. Length: 19 Feet
No. Production Piles: 7
No. Test Piles: -



FIELD CUTTING DIAGRAM

Order v3(E) & v5(E) full length. Cut as shown and use remainder of bars in opposite face.



PROFESSIONAL DESIGN FIRM LICENSE #184-001084
© Copyright Hanson Professional Services Inc. 2010

HANSON
Hanson Professional Services Inc.

JOB NO. 05R1532A	SHEET NO. 27	F.A. RTE. 280	SECTION 81-116-11R	COUNTY Rock Island	TOTAL SHEETS 503	SHEET NO. 440
DATE 05/21/10	40 SHEETS	CONTRACT NO. 64815		ILLINOIS FED. AID PROJECT		