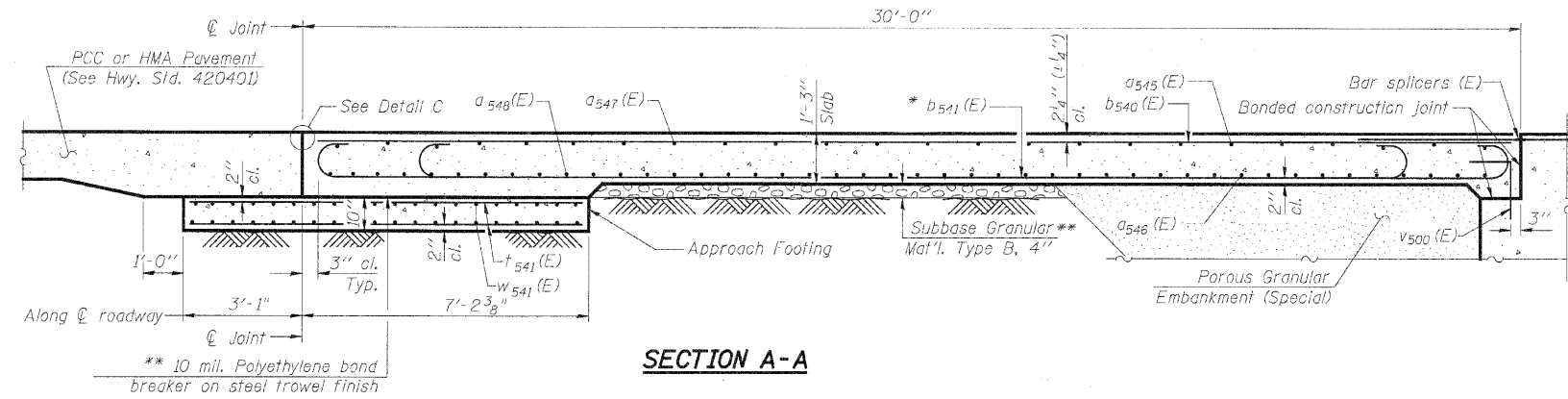


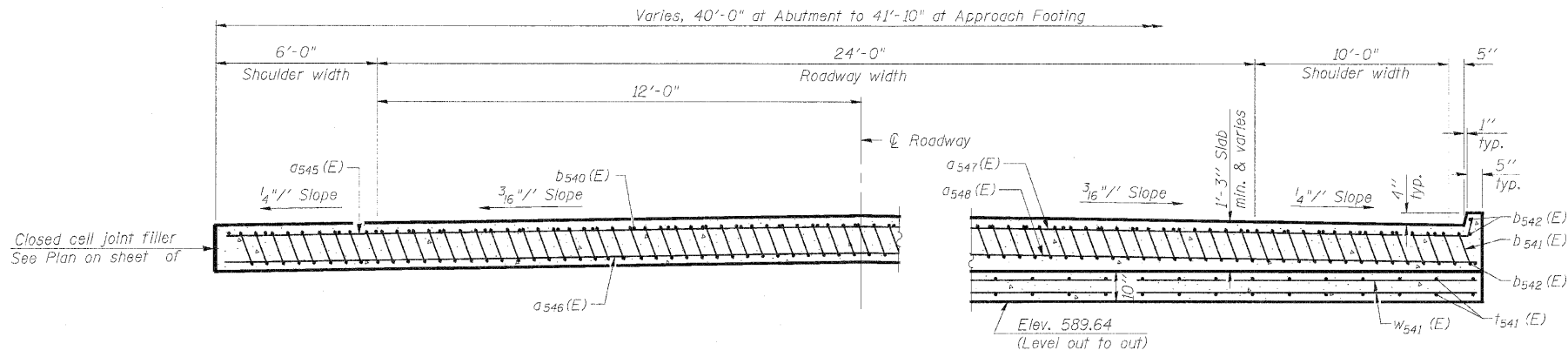
STATE OF ILLINOIS  
DEPARTMENT OF TRANSPORTATION

Notes:  
See sheet 25 of 77 for Detail C.  
Approach slab shall be paid for as Concrete Superstructure.  
Approach footing concrete shall be paid for as Concrete Structures.  
Reinforcement shall be paid for as Reinforcement Bars, Epoxy Coated.  
For  $v_{500}(E)$  bar details, see sheet 51 of 77.  
The approach footing maximum applied service bearing pressure ( $Q_{max}$ ) = 2.0 ksf.  
For bar splicer details, see sheet 71 of 77.  
Cost of excavation for approach footing included with Concrete Structures.  
For Porous Granular Embankment (Special) and drainage treatment details, see sheet 56 of 77.



SECTION A-A

\*\* 10 mil. Polyethylene bond breaker on steel trowel finish



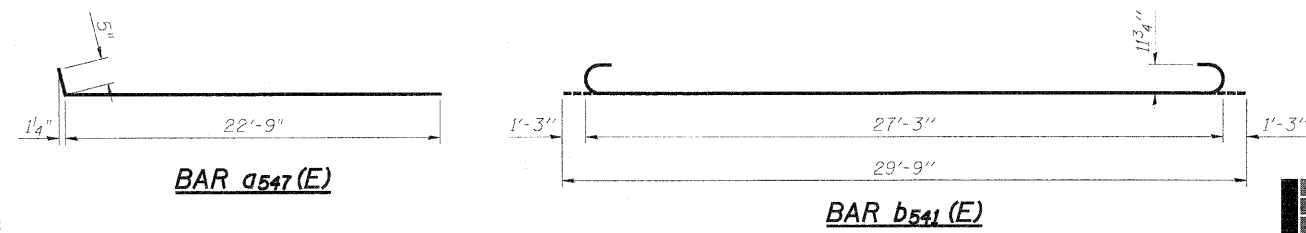
SECTION B-B

(See Plan for dimensions not shown)

\* Tilt #9 b541(E) bars as required to maintain clearance.  
\*\* Cost included with Concrete Superstructure.

ONE APPROACH  
BILL OF MATERIAL

Bar	No.	Size	Length	Shape
a545(E)	16	#4	21'-11"	—
a546(E)	15	#5	40'-10"	—
a547(E)	34	#4	23'-2"	—
a548(E)	31	#5	42'-8"	—
b540(E)	33	#4	29'-8"	—
b541(E)	97	#9	29'-9"	—
b542(E)	6	#4	18'-2"	—
t541(E)	86	#4	10'-0"	—
w541(E)	40	#5	42'-8"	—
Concrete Superstructure			Cu. Yd.	61.2
Concrete Structures			Cu. Yd.	12.9
Bridge Deck Grooving			Sq. Yd.	127
Protective Coat			Cu. Yd.	150
Reinforcement Bars, Epoxy Coated			Pound	15,670



DESIGNED	ASJ
CHECKED	SPK
DRAWN	ASJ
CHECKED	SPK

**INFRASTRUCTURE ENGINEERING** | INCORPORATED  
33 West Monroe | Suite 1540 | Chicago, IL 60603  
P 312.425.9560 | F 312.425.9564 | www.infrastructure-eng.com

(Sheet 2 of 2)  
**E.B. ROADWAY WEST APPROACH SLAB DETAILS**  
**STRUCTURE NO. 081-0024 (W.B.)**  
**STRUCTURE NO. 081-0025 (E.B.)**

SHEET NO. 26 77 SHEETS	F.A.I. RTE.	SECTION	COUNTY	TOTAL SHEETS	SHEET NO.
	280	81-1(VB-1)R	ROCK ISLAND	503	362
CONTRACT NO. 64815					
FED. ROAD DIST. NO. ILLINOIS FED. AID PROJECT					

P:\P-081-0024\081-0024-64815-026-EB.W Appr - Draft\1-179-7/22/2010 12:53:02 PM