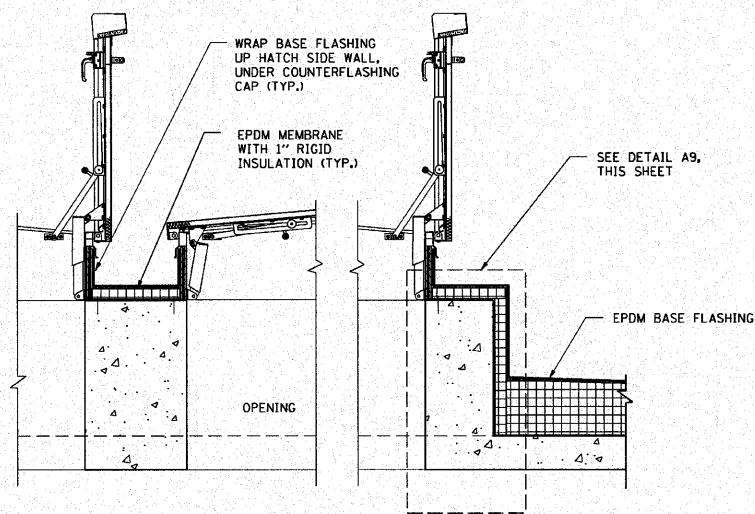
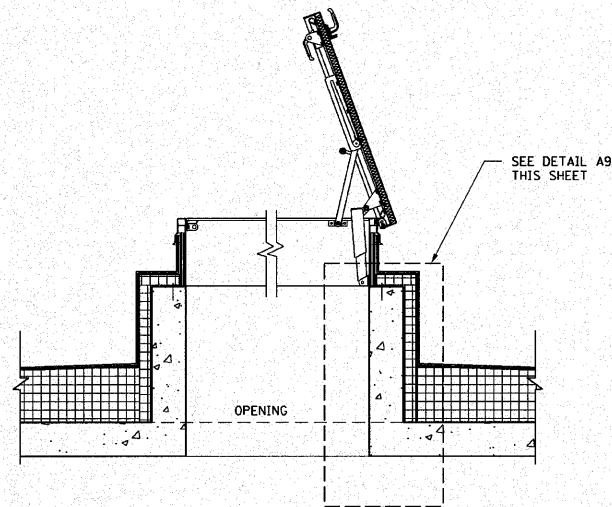


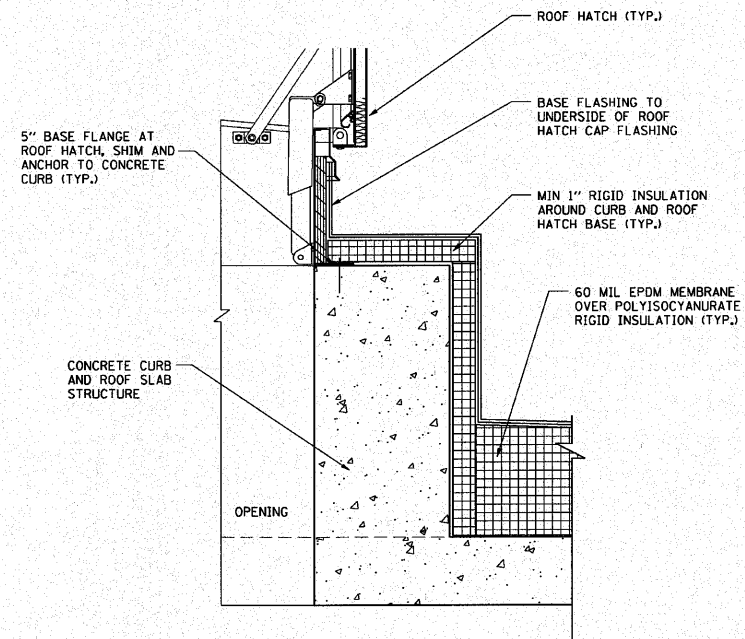
F.A.I. RTE.	SECTION	COUNTY	TOTAL SHEETS	SHEET NO.
190	0102.1 S	COOK	107	48
FED. ROAD DIST. NO.		ILLINOIS	FED. AID PROJECT	



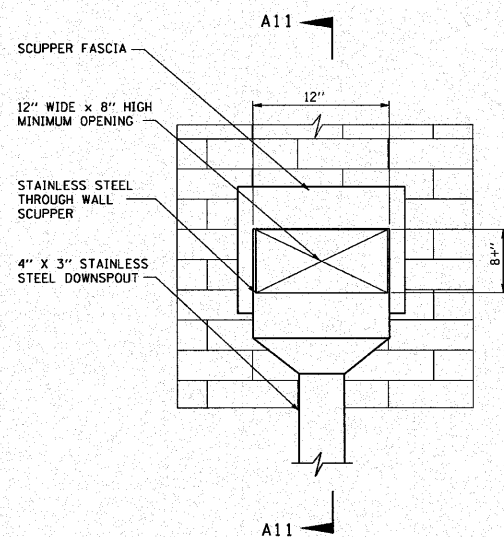
**DOUBLE LEAF
ROOF ACCESS HATCH
DETAIL A7**



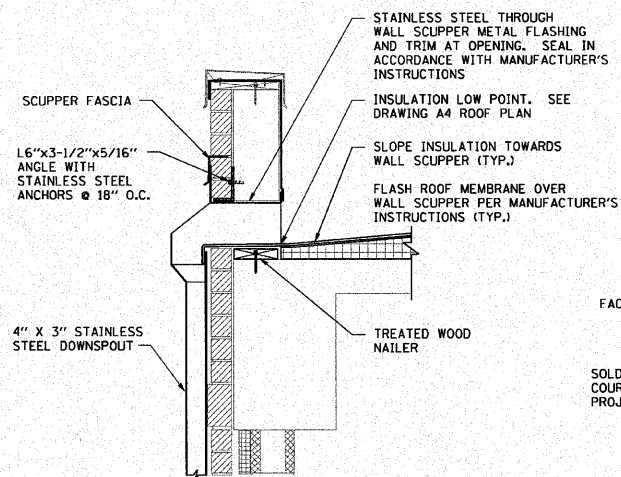
**SINGLE LEAF
ROOF ACCESS HATCH
DETAIL A8**



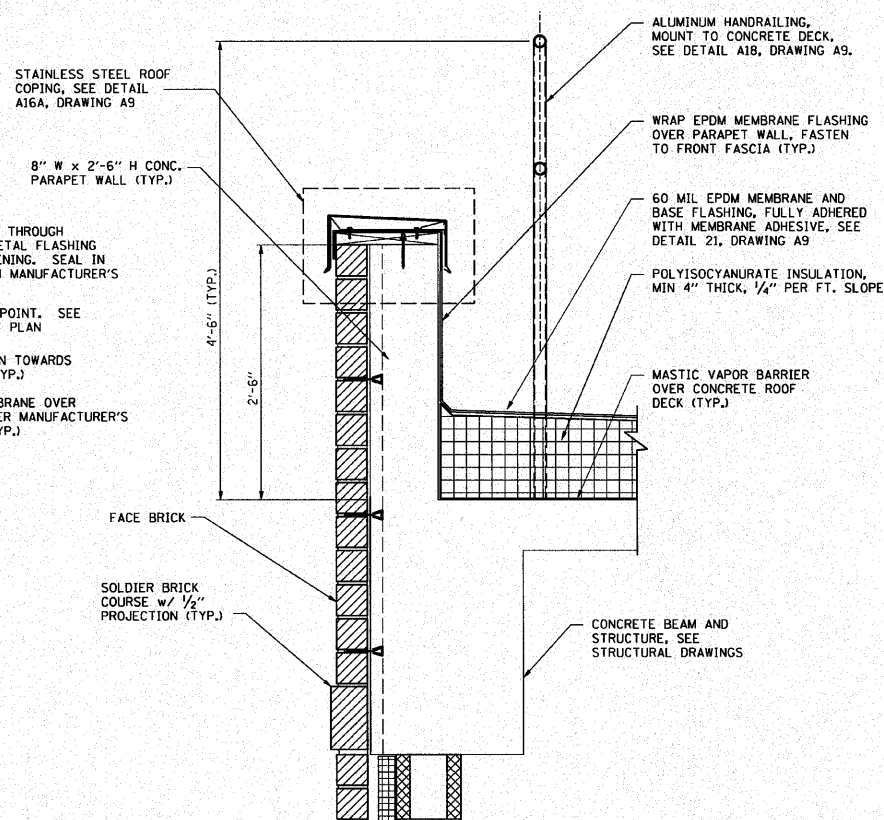
**ROOF HATCH CURB
DETAIL A9**



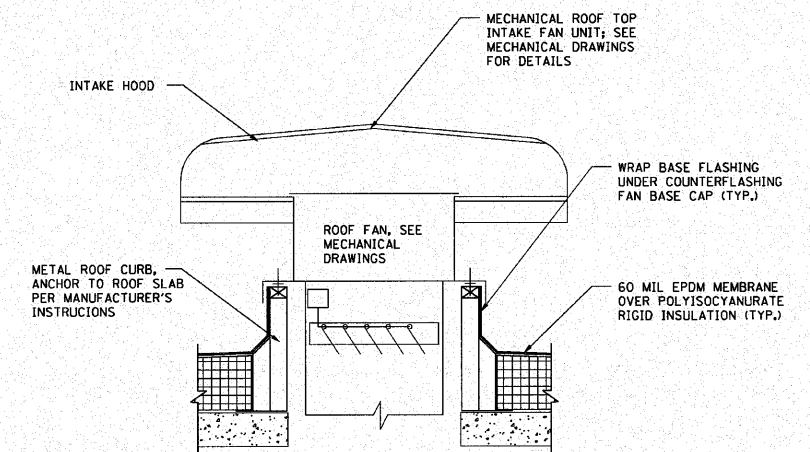
SCUPPER DETAIL A10



ROOF SCUPPER DETAIL A11



**GENERAL ROOF EDGE
DETAIL A12**



**METAL ROOF FAN CURB
DETAIL A13**

A8

REVISIONS	
NAME	DATE

ILLINOIS DEPARTMENT OF TRANSPORTATION
PUMP STATION NO. 24
RELOCATION
ARCHITECTURAL DETAILS

SCALE: AS SHOWN
DATE: 11-22-10

DRAWN BY: MW
CHECKED BY: KHC