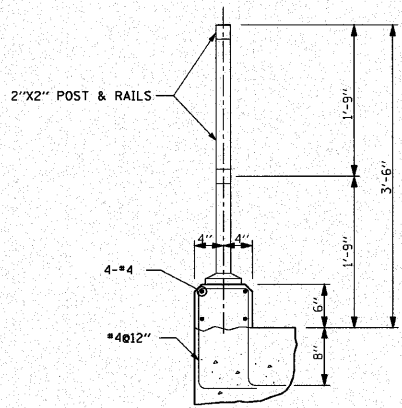


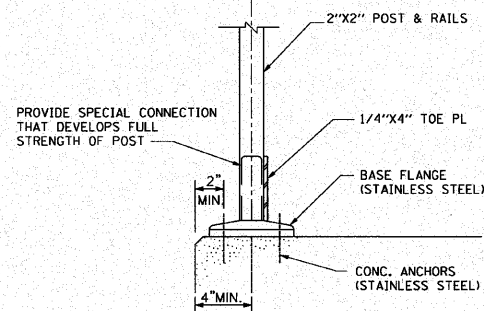
F.A.I. RTE.	SECTION	COUNTY	TOTAL SHEETS	SHEET NO.
190	0102.1 S	COOK	107	40
FED. ROAD DIST. NO.		ILLINOIS	FED. AID PROJECT	



HANDRAIL WITH CURB

**FIBERGLASS HANDRAIL DETAIL-S15**

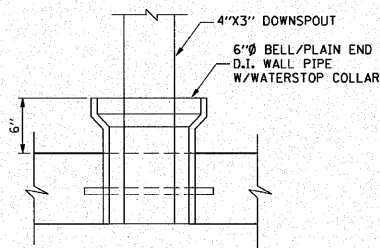
N.T.S.



SURFACE MOUNTED

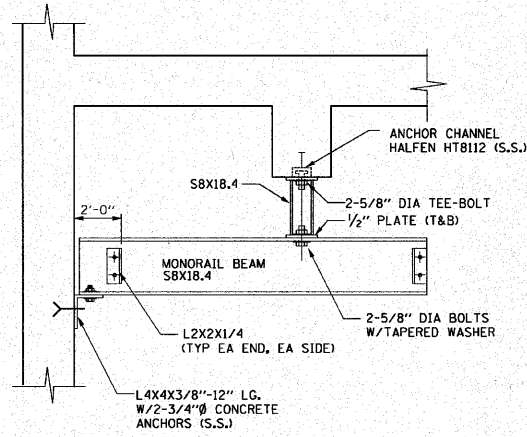
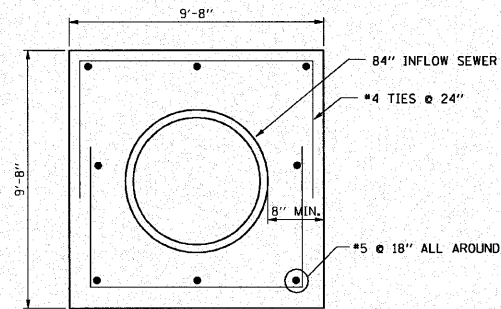
**DOWNSPOUT HUB DETAIL-S18**

N.T.S.

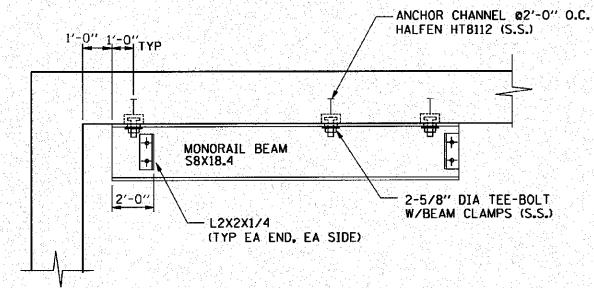


**PIPE CONCRETE ENCASEMENT DETAIL-S19**

N.T.S.

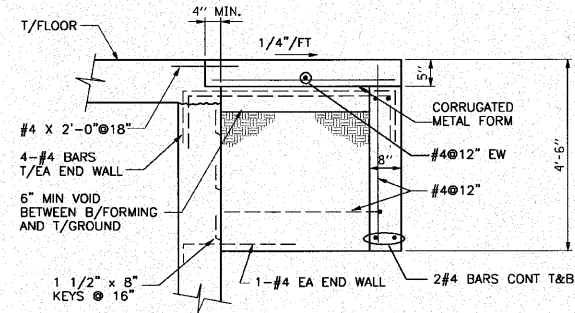


**TYPE 1 MONORAIL DETAIL-S16**



**TYPE 2 MONORAIL DETAIL-S17**

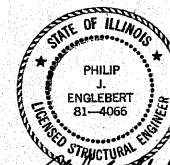
N.T.S.



NOTE:  
WHERE STOOP LENGTH NOTED IS GREATER THAN 6'-0", PROVIDE ADDITIONAL VERTICAL WALL.

**DOOR STOOP DETAIL-S20**

N.T.S.



*Philip J. Englebert*  
10/28/10

S29

REVISIONS	
NAME	DATE

ILLINOIS DEPARTMENT OF TRANSPORTATION

PUMP STATION NO. 24  
RELOCATION

STRUCTURAL DETAILS

SCALE: AS SHOWN

DRAWN BY: FL

DATE: 11-22-10

CHECKED BY: PJE