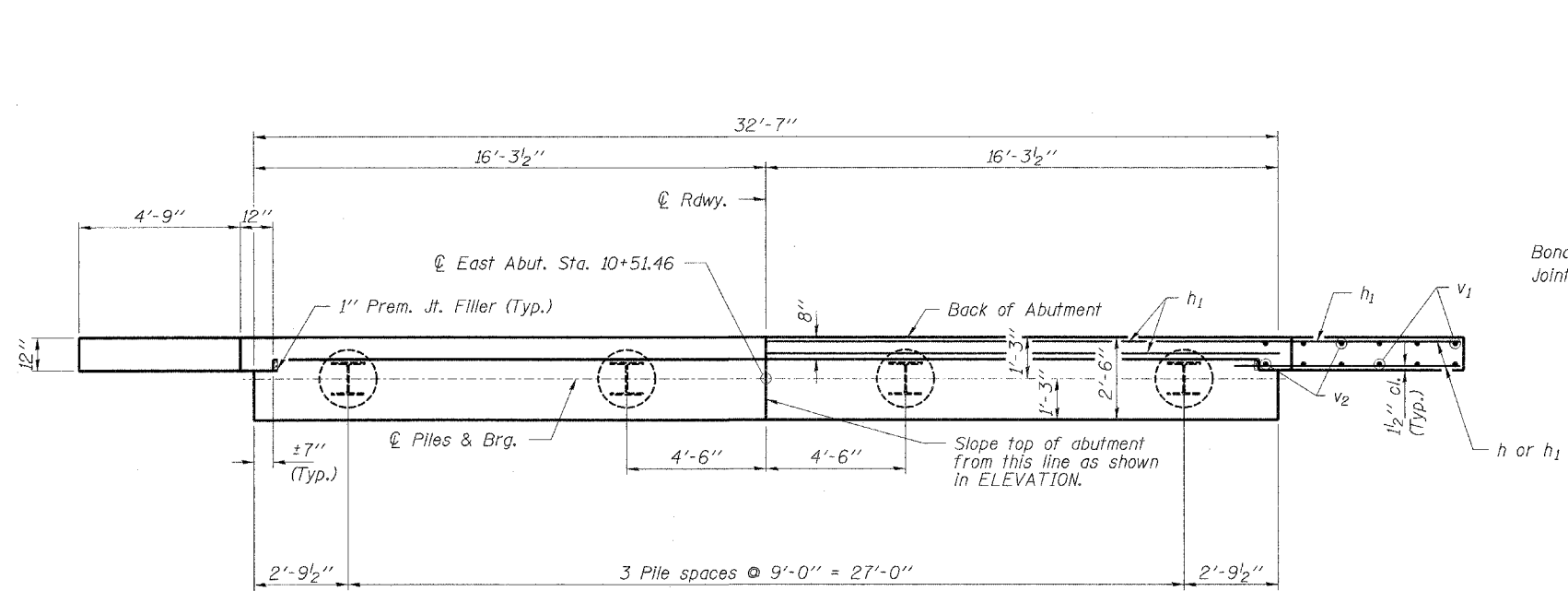
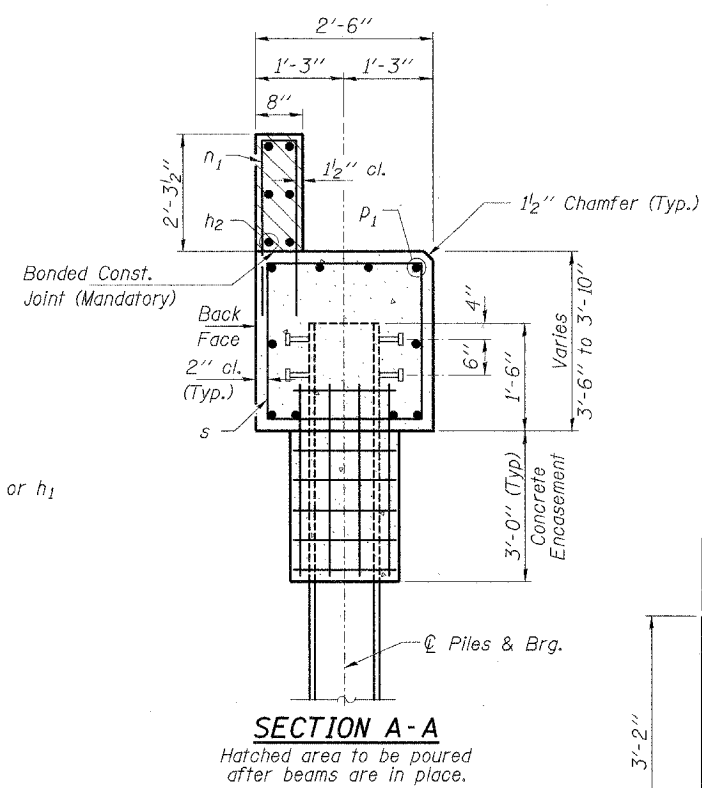


CONTRACT NO. 99203

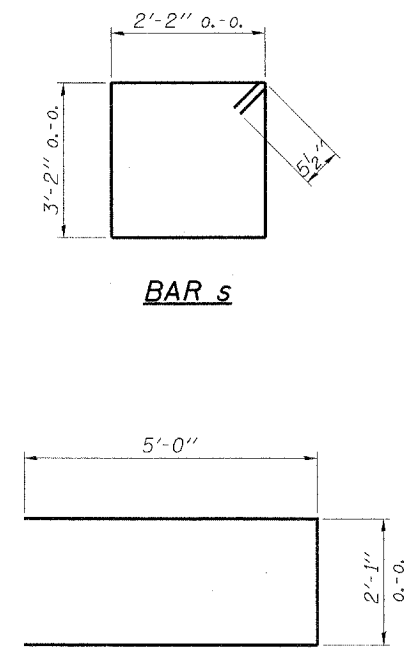


PLAN



SECTION A-A

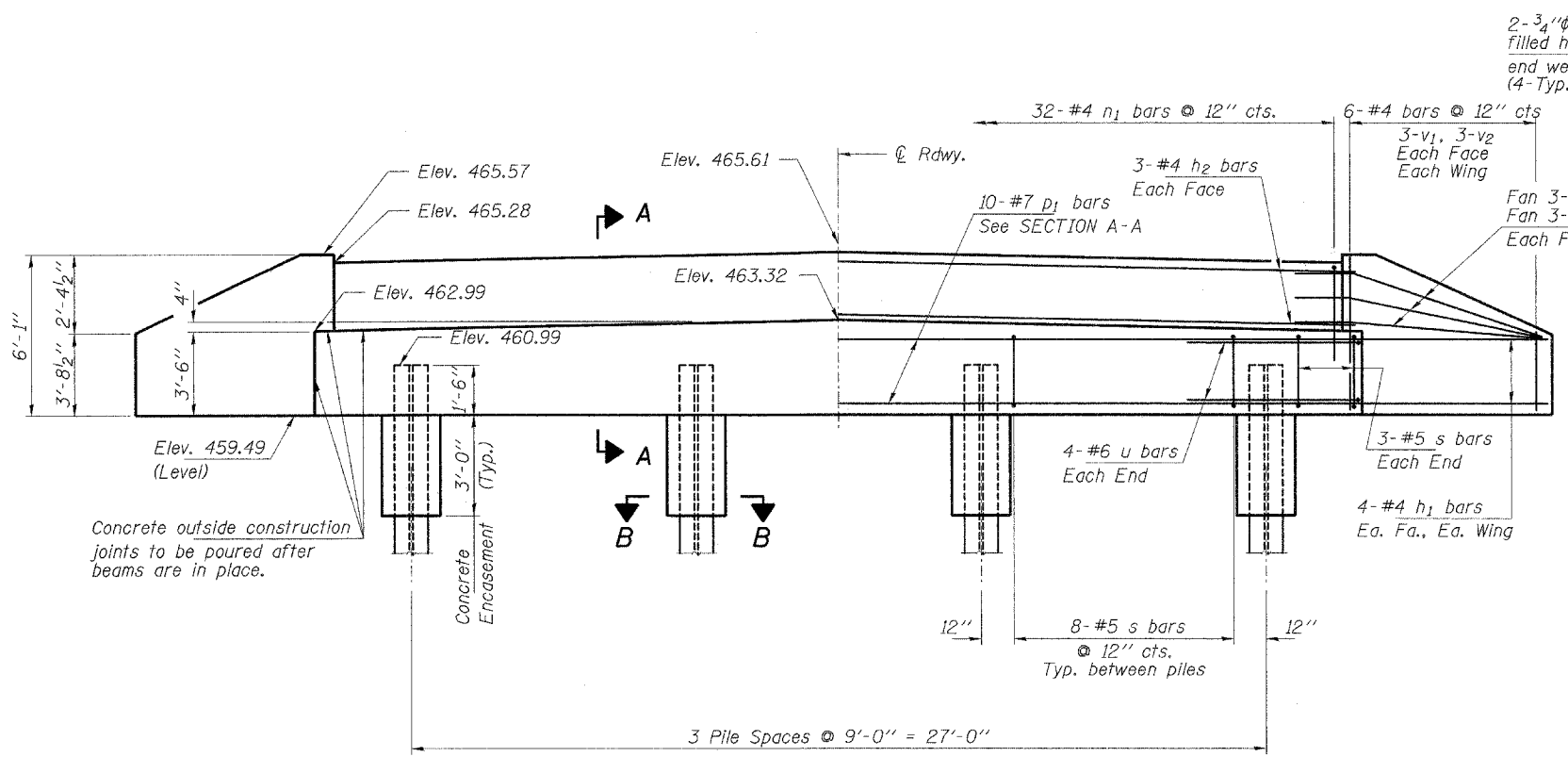
Hatched area to be poured after beams are in place.



BAR s

BAR u

BAR n1



ELEVATION
(Looking East)

PILE DATA

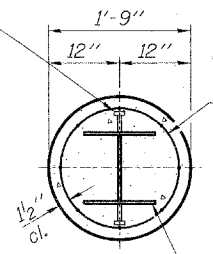
Type _____ Steel HP 10x42
 No. Req'd. _____ 4
 Capacity _____ Drive to Refusal
 Est. Length _____ 68 Feet/Pile

2-3/4" ϕ Granular or solid flux filled headed studs, automatically end welded to each flange. (4-Typ. each pile)

Note: Extend h bars into abut. cap and backwall.

Fan 3-#4 h bars (F.F.)
 Fan 3-#4 h1 bars (B.F.)
 Each Face, Each Wing

Welded Wire Fabric
 6 x 6-W4.0 x W4.0
 weighing 58#/100 sq. ft.
 The cost of Excavation and Reinforcement is incidental to the cost of Concrete Encasement. Forms for Encasement may be omitted when soil conditions will permit.



SECTION B-B

Steel Pile HP10x42

BILL OF MATERIAL - E. ABUT.

BAR	NO.	SIZE	LENGTH	SHAPE
h	6	#4	5'-6"	—
h1	22	#4	6'-6"	—
h2	6	#4	32'-7"	—
n1	32	#4	6'-9"	□
p1	10	#7	32'-4"	—
s	30	#5	11'-7"	□
u	8	#6	12'-1"	—
v1	12	#4	3'-5"	—
v2	12	#4	4'-11"	—
Concrete Structures			Cu. Yd.	14.2
Reinforcement Bars			Pound	1,630
Steel Piles HP 10x42			Foot	272
Concrete Encasement			Cu. Yd.	1.0
Stud Shear Connectors			Each	16

HLR
 Rice, Berry and Associates
 A Division of Hampton, Lenzini and Renwick, Inc.
 Civil & Structural Engineers
 801 S. Durkin Drive
 Springfield, Illinois 62704
 217-546-3400
 Account Number 12-47-0016-1
 Date: 10-28-04
 P.O. Box 1036
 DuQuoin, Illinois 62832
 618-790-4637
 DESIGNED: S.W.M. CHECKED: T.P.L. DRAWN: D.B.

EAST ABUTMENT
 F.A.S. 1870 / C.H. 7
 SECTION 03-00136-00-BR
 JACKSON COUNTY
 STR. NO. 039-3249 / STATION 10+04