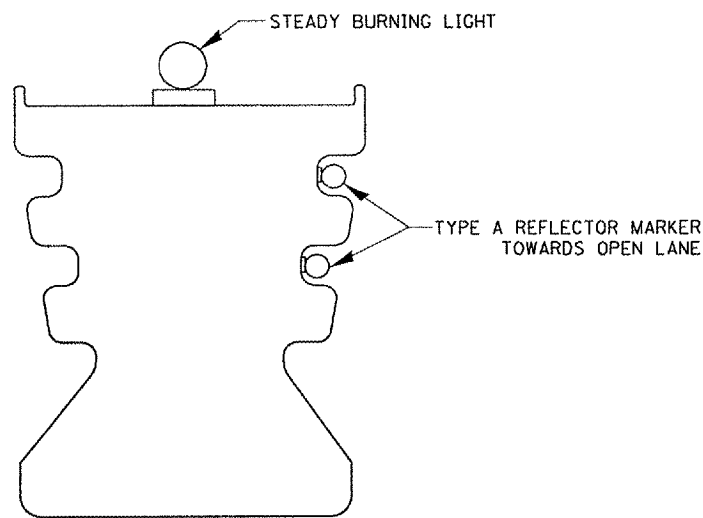
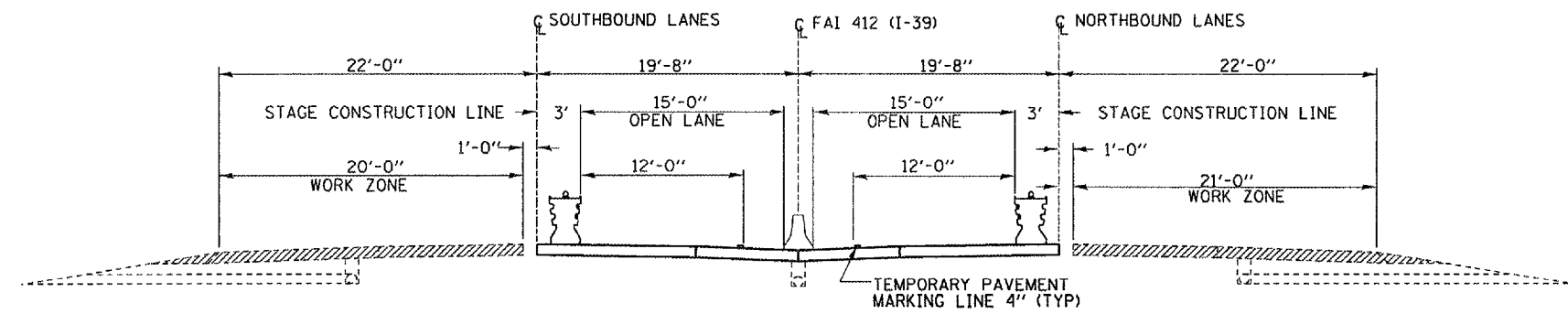


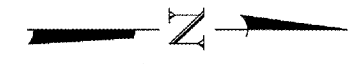
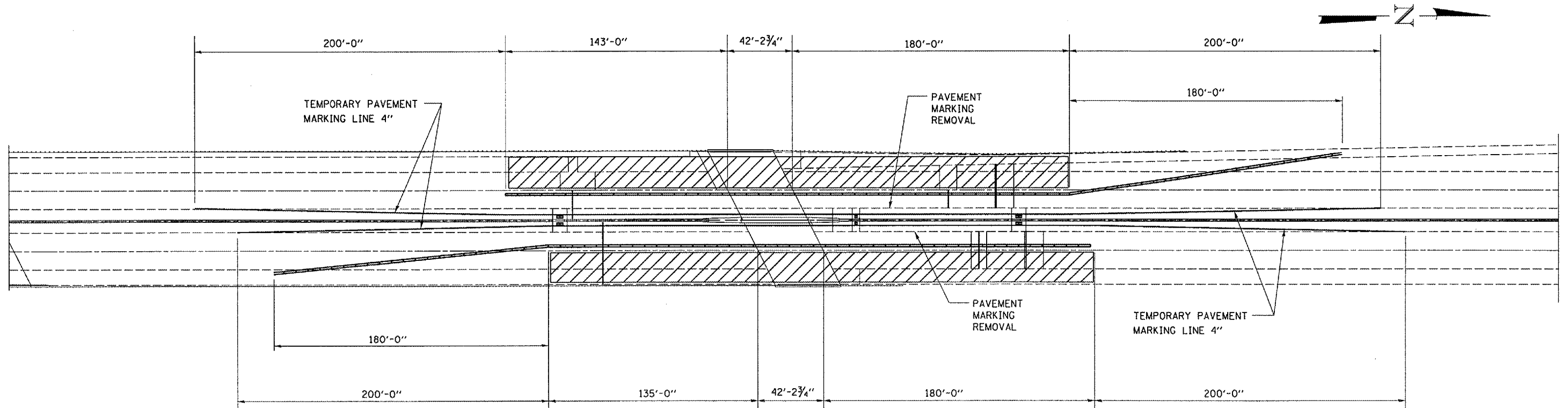
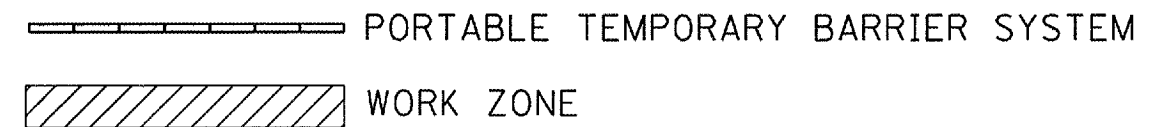
F.A. RTE.	SECTION	COUNTY	TOTAL SHEETS	SHEET NO.
412	(50-4B-1)I	LASALLE	20	18



PORTABLE TEMPORARY BARRIER SYSTEM



TYPICAL SECTION STAGE I CONSTRUCTION & STAGE II REMOVAL
(LOOKING NORTH)



cm30105/cm301/details.dgn

REVISIONS	
NAME	DATE

ILLINOIS DEPARTMENT OF TRANSPORTATION

STAGING AND TRAFFIC CONTROL DETAILS

STAGE II

SCALE: VERT. DRAWN BY: RLW
 HORIZ. CHECKED BY:
 DATE: 08/16/04