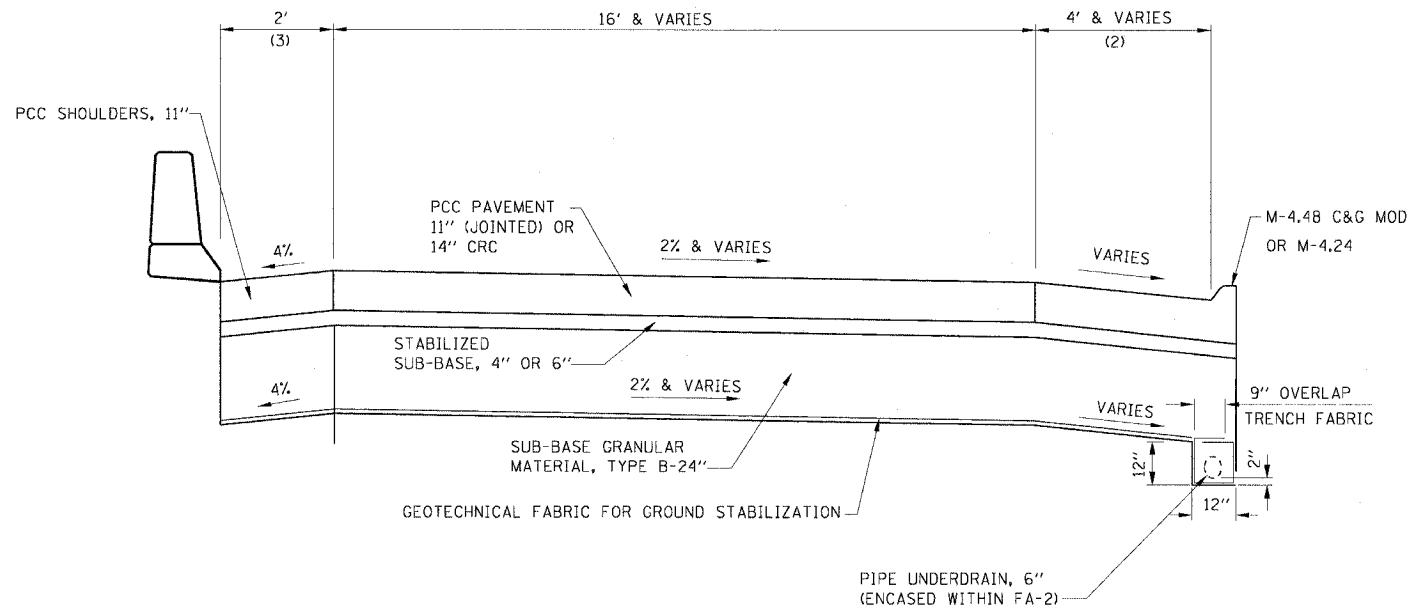


F.A.I. RTE.	SECTION	COUNTY	TOTAL SHEETS	SHEET NO.
90/94	2021-922PT.1-AC	COOK	460	96
STA.	TO STA.			
FED. ROAD DIST. NO. 1	ILLINOIS	FED. AID PROJECT		

62693

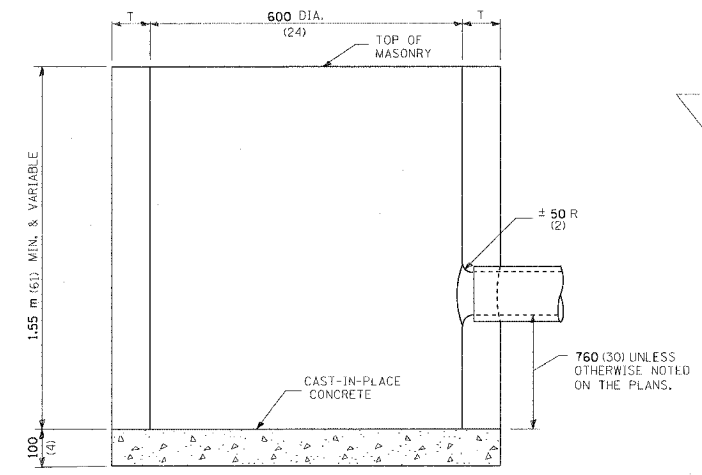
ALTERNATE MATERIALS FOR WALLS	T (MIN)
PRECAST REINFORCED CONCRETE SECTION	75 (3)
CONCRETE MASONRY UNIT	125 (5)
CAST-IN-PLACE CONCRETE	150 (6)
BRICK MASONRY	200 (8)



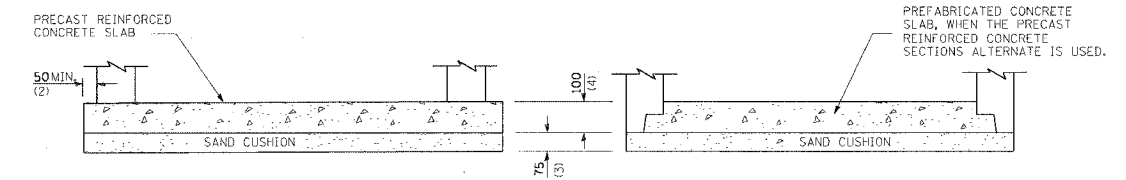
PIPE UNDERDRAINS ALONG RAMPS

NOTES:

- (1) GEOTECHNICAL FABRIC FOR GROUND STABILIZATION SHALL BE PLACED THE ENTIRE WIDTH FROM INSIDE EDGE OF PIPE UNDERDRAIN TRENCH TO INSIDE EDGE OF PIPE UNDERDRAIN TRENCH AND SUB-BASE GRANULAR MATERIAL TYPE B-24" SHALL BE PLACED THE ENTIRE WIDTH FROM BACK-OF-CURB TO BACK-OF-CURB PRIOR TO UNDERDRAIN INSTALLATION. REPLACEMENT OF THE SACRIFICIAL SUB-BASE GRANULAR MATERIAL TYPE B-24" ABOVE THE NEWLY PLACED PIPE UNDERDRAIN TRENCHES SHALL BE INCLUDED IN THE UNIT PRICE OF THE PIPE UNDERDRAIN, 6".
- (2) RIGHT SHOULDER IN DIRECTION OF TRAFFIC
- (3) LEFT SHOULDER IN DIRECTION OF TRAFFIC



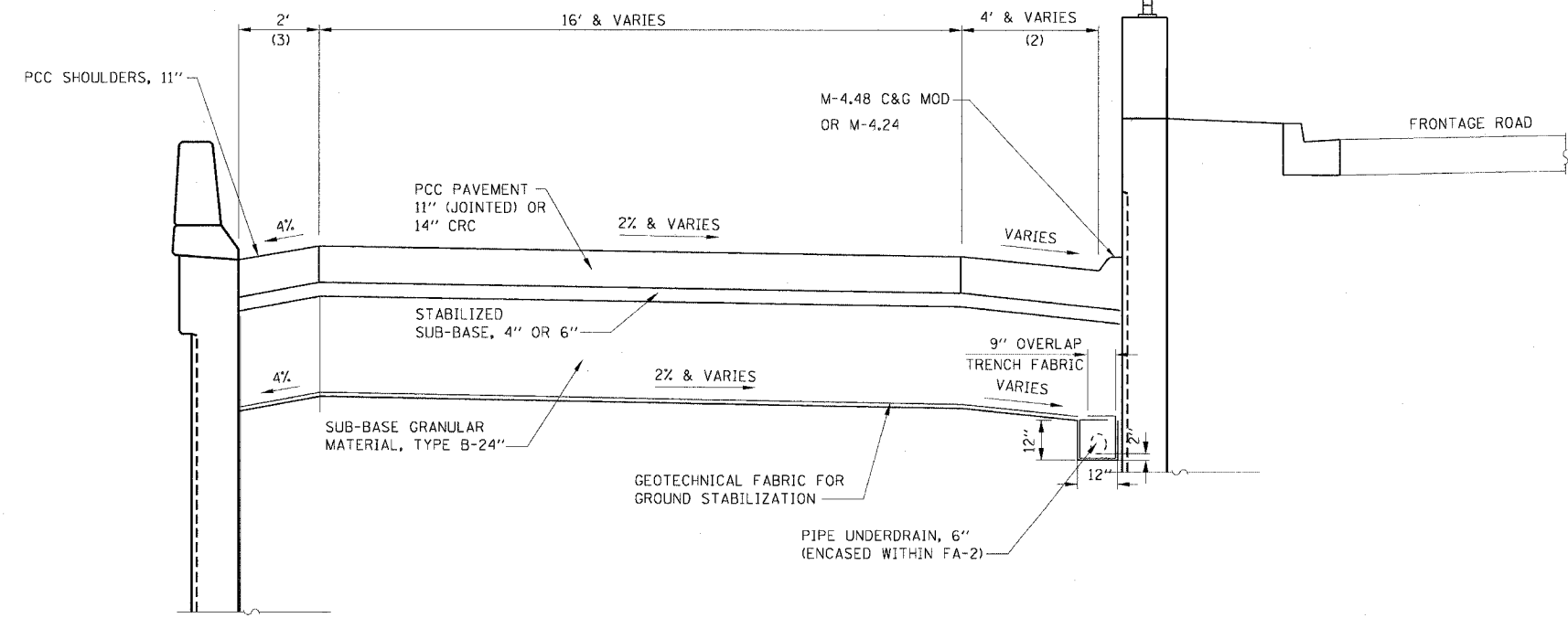
ELEVATION



ALTERNATE BOTTOM SLAB

ALL DIMENSIONS ARE IN MILLIMETERS (INCHES) UNLESS OTHERWISE SHOWN.

CITY OF CHICAGO DETAIL FOR TYPE C CATCH BASIN



PIPE UNDERDRAINS ALONG RAMPS WITH RETAINING WALLS



REVISIONS	
NAME	DATE

ILLINOIS DEPARTMENT OF TRANSPORTATION
 F.A.I. 90/94 (DAN RYAN EXPRESSWAY)
 63rd ST TO 59th ST (FRONTAGE ROAD & RAMPS)

DRAINAGE DETAILS
 PIPE UNDERDRAIN
 TYPE C CATCH BASIN

SCALE: NONE
 DATE: October 29, 2004

DRAWN BY: JB
 CHECKED BY: EY

10/22/2004 02:28:41 PM