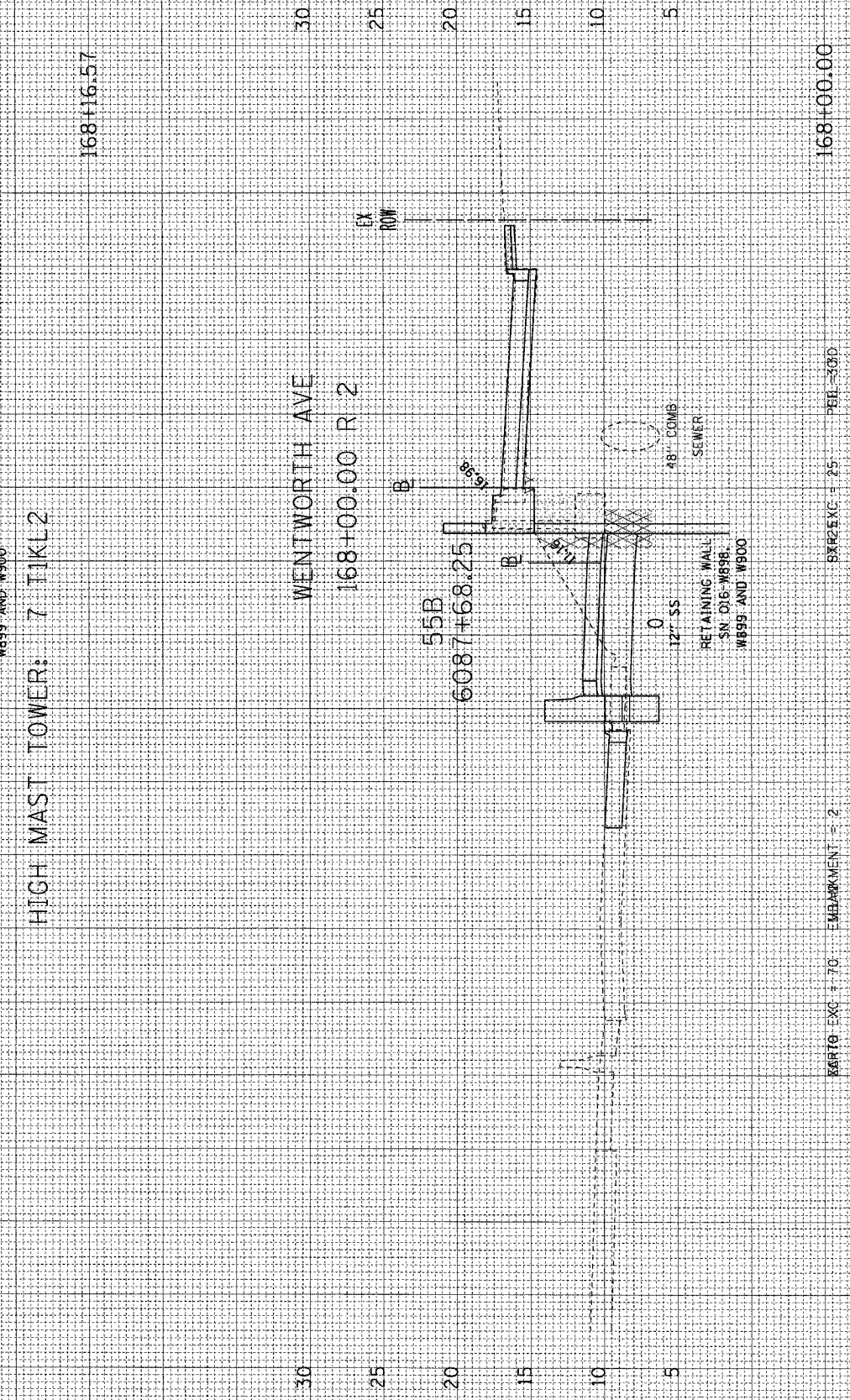
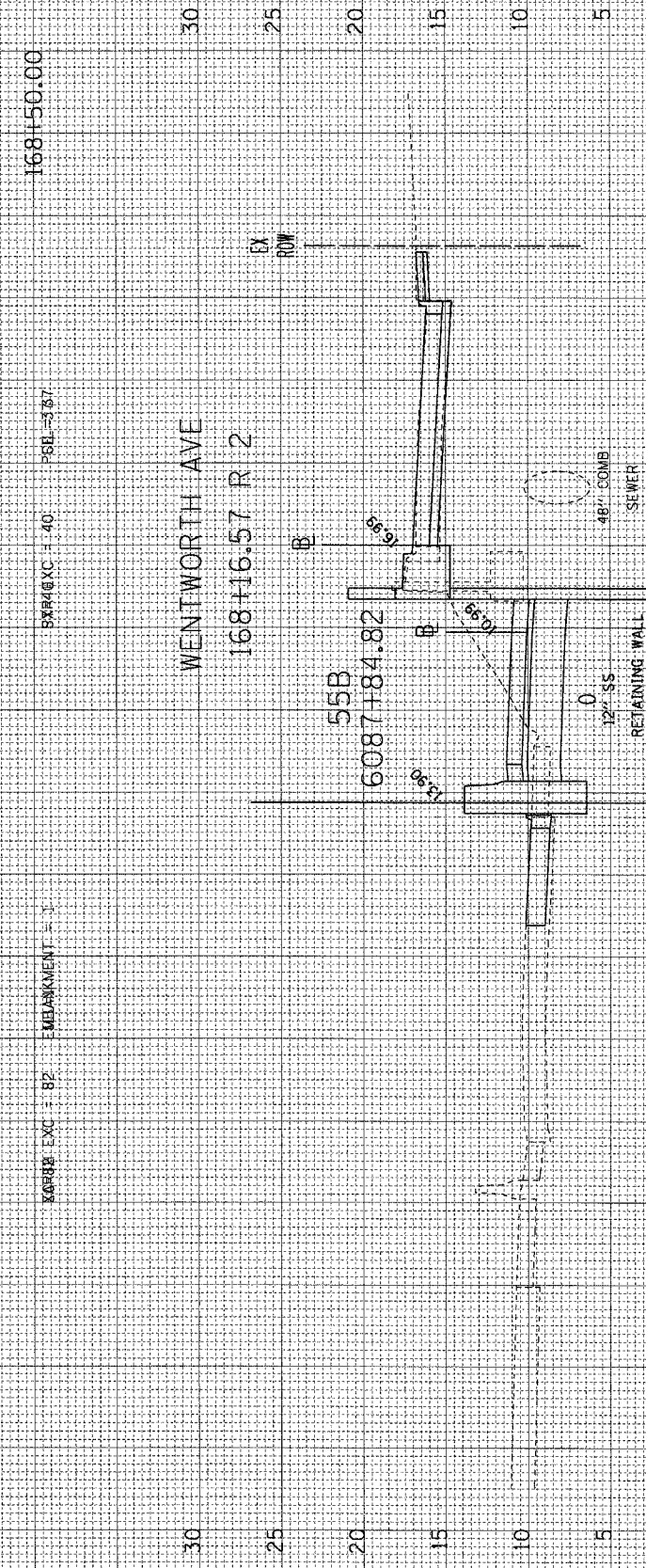
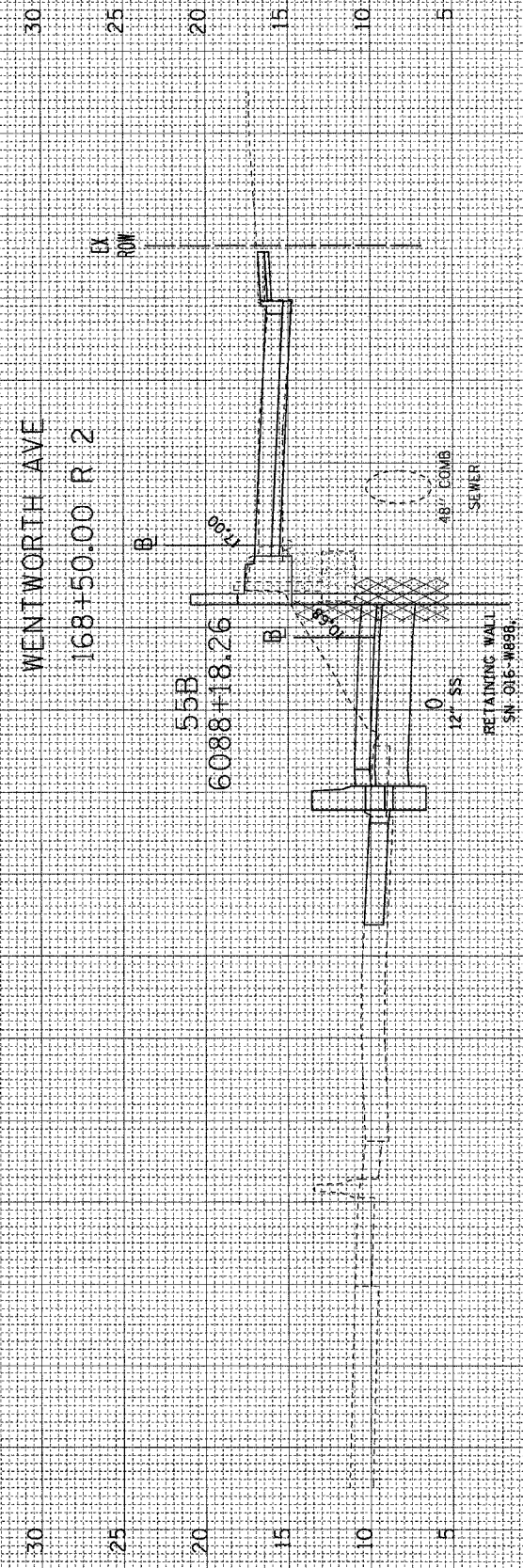


FINAL SURVEY	BY	DATE
SURVEYED		
TEMPERATURE		
NOTE BOOK		
AREAS CHECKED		
NO.		

ORIGINAL SURVEY	BY	DATE
SURVEYED		
TEMPERATURE		
NOTE BOOK		
AREAS CHECKED		
NO.		

F.A.I. RTE.	SECTION	COUNTY	TOTAL SHEETS	SHEET NO.
90/94	2003-0311	COOK	976	572
62583				
FED. ROAD DIST. NO. 1 ILLINOIS		FED. AID PROJECT		



HIGH MAST TOWER: 7 T1KL2

EXCISE = 82 EMBANKMENT = 1
EXCISE = 40 PBE = 3.67

EXCISE = 70 EMBANKMENT = 2
EXCISE = 25 PBE = 3.00