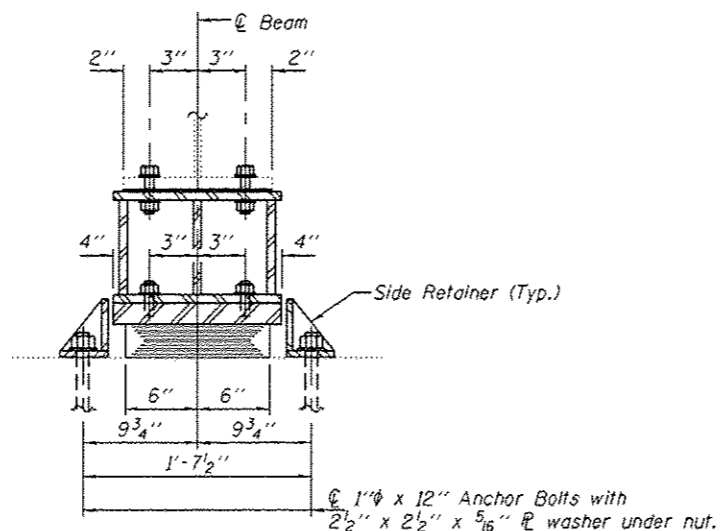


ELEVATION AT EAST ABUTMENT

TYPE I ELASTOMERIC EXP. BRG.



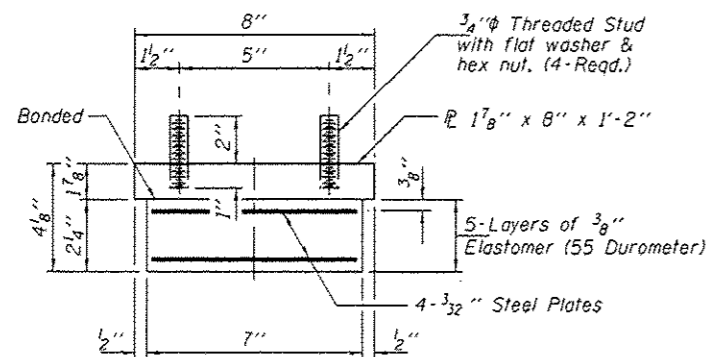
SECTION A-A

1" φ x 12" Anchor Bolts with 2 1/2" x 2 1/2" x 5/16" R washer under nut.

BEAM REACTIONS

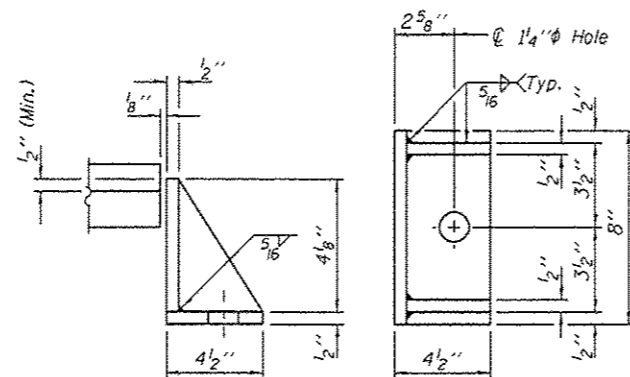
R _E	(K)	18.7
R _L	(K)	32.3
Imp.	(K)	8.1
R (Total)	(K)	59.1

Notes:
 Diaphragm removal and reinstallation may be required to facilitate drilling holes. Cost included with Furnishing and Erecting Structural Steel.
 New steel extensions, shim plates and connection bolts are included with Furnishing and Erecting Structural Steel. Prior to ordering any material, the Contractor shall verify in the field all bearing height and shim thickness dimensions. Min. jack capacity = 30 Tons.
 Anchor bolts shall be ASTM F1554 all-thread (or an Engineer-approved alternate material) of the grade(s) and diameter(s) specified. ASTM A307 Grade C anchor bolts may be used in lieu of ASTM F1554 Grade 36 (F_y=36ksi). The corresponding specified grade of AASHTO M314 anchor bolts may be used in lieu of ASTM F1554.
 Anchor bolts at fixed bearings may be either cast in place or installed in holes drilled after the supported member is in place.
 Drilled and set anchor bolts shall be installed according to Article 521.06 of the Standard Specifications.
 Side retainers shall be included in the cost of Elastomeric Bearing Assembly, Type I.



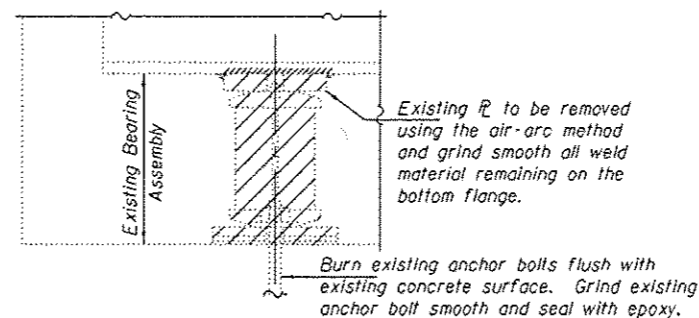
BEARING ASSEMBLY

Note:
 Shim plates shall not be placed under Bearing Assembly.



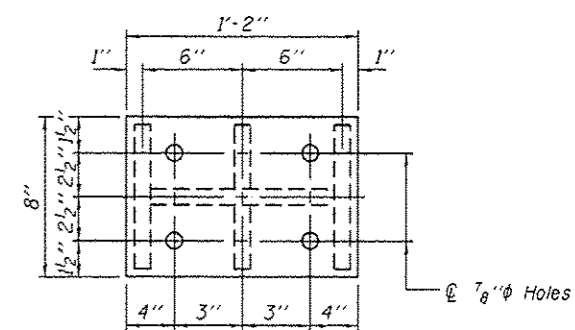
SIDE RETAINER

Equivalent rolled angle with stiffeners will be allowed in lieu of welded plates.

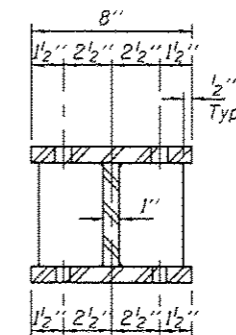


EXISTING BEARING REMOVAL DETAIL

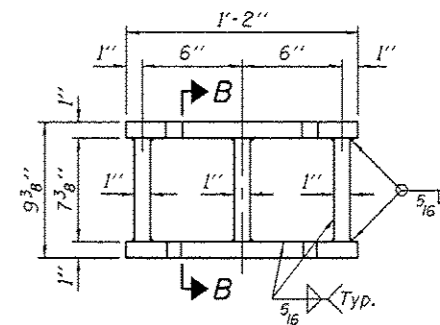
Cost included with Jack and Remove Existing Bearings.



PLAN TOP AND BOTTOM PLATE



SECTION B-B



STEEL EXTENSION DETAIL

BILL OF MATERIAL

Item	Unit	Total
Elastomeric Bearing Assembly, Type I	Each	12
Jack and Remove Existing Bearings	Each	12
Furnishing and Erecting Structural Steel	Pound	1650
Anchor Bolts 1" φ	Each	24

TYI/REPS 12-03-2008

DESIGNED - DAB	EXAMINED - [Signature]
CHECKED - VHV	ACTING ENGINEER OF STRUCTURAL SERVICES
DRAWN - Kyle M. Steffen	PASSED - [Signature]
CHECKED - DAB	ACTING ENGINEER OF BRIDGES AND STRUCTURES

DATE - NOVEMBER 22, 2013	REVISED
	REVISED

STATE OF ILLINOIS
 DEPARTMENT OF TRANSPORTATION

BEARING REPLACEMENT DETAILS AT EAST ABUTMENT
 SN 097-0051 (W.B.) & 0052 (E.B.)

SHEET NO. 23 OF 25 SHEETS

F.A.I. RTE. 64	SECTION	COUNTY	TOTAL SHEETS	SHEET NO.
		WHITE	54	49
* (97-2-1)RS-1:BSMART 2012-1.2.3			CONTRACT NO. 78282	
ILLINOIS FED. AID PROJECT				