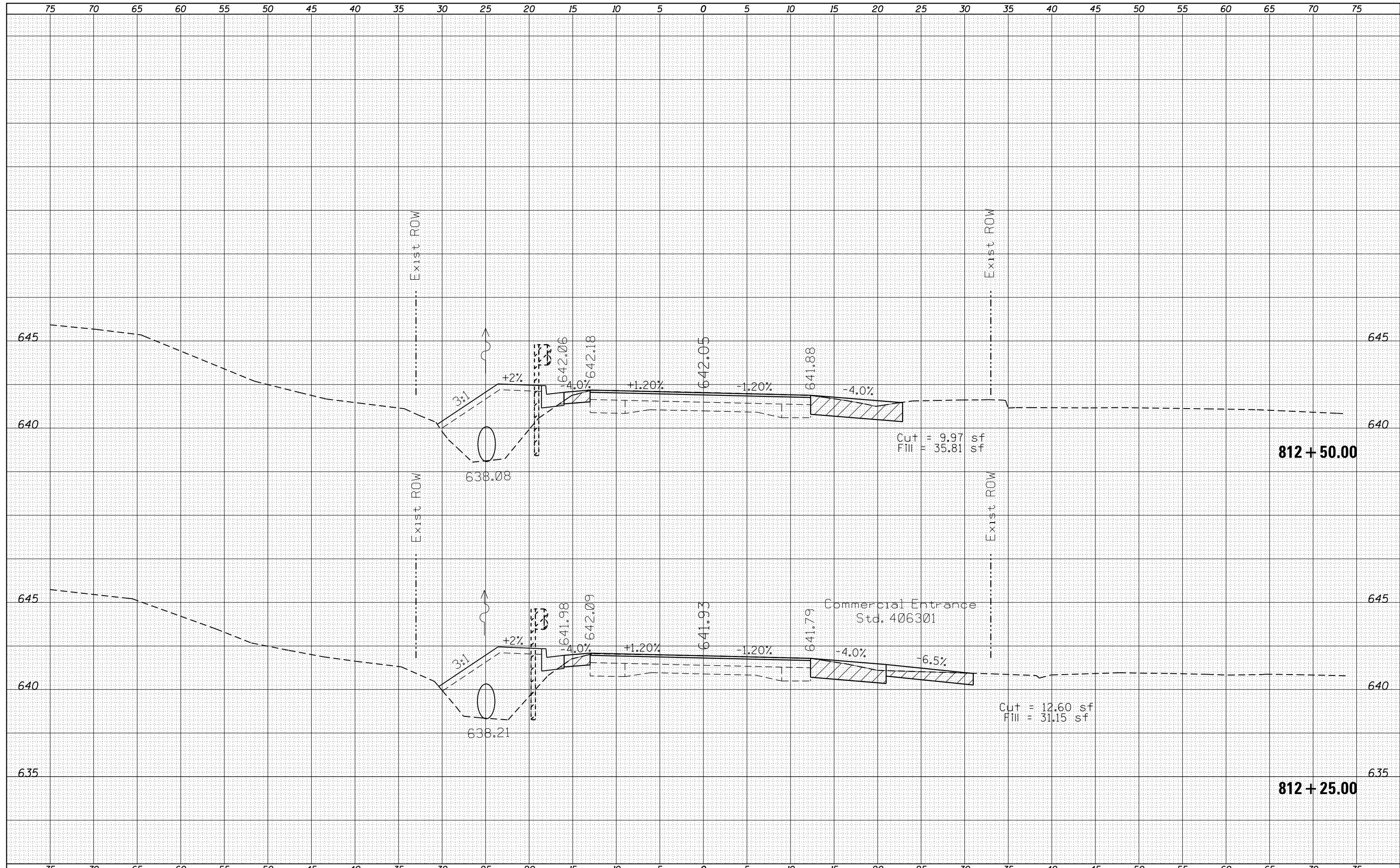


DATE	
BY	
FINAL SURVEY	SURVEYED
NOTE BOOK	PLOTTED
NO.	TEMPLATE
	AREAS CHECKED

DATE	
BY	
ORIGINAL SURVEY	SURVEYED
NOTE BOOK	PLOTTED
NO.	TEMPLATE
	AREAS CHECKED



FILE NAME = c:\temp\68b05\04_68b05-sh1-cover.dgn

USER NAME = keathbr
 PLOT SCALE = 10.0000' / in.
 PLOT DATE = 10/17/2013

DESIGNED -	REVISD -
DRAWN -	REVISD -
CHECKED -	REVISD -
DATE -	REVISD -

**STATE OF ILLINOIS
 DEPARTMENT OF TRANSPORTATION**

SCALE: SHEET OF SHEETS STA. 812+25.00 TO STA. 812+50.00

F.A.P. RTE.	SECTION	COUNTY	TOTAL SHEETS	SHEET NO.
693	.	TAZEWELL	51	27
			CONTRACT NO. 12345	
ILLINOIS FED. AID PROJECT				