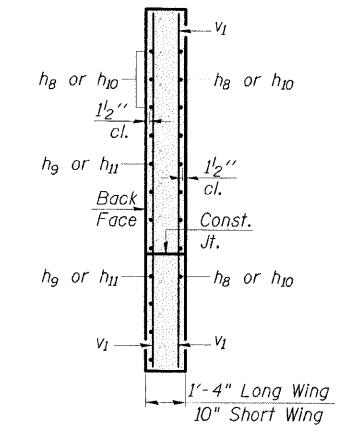
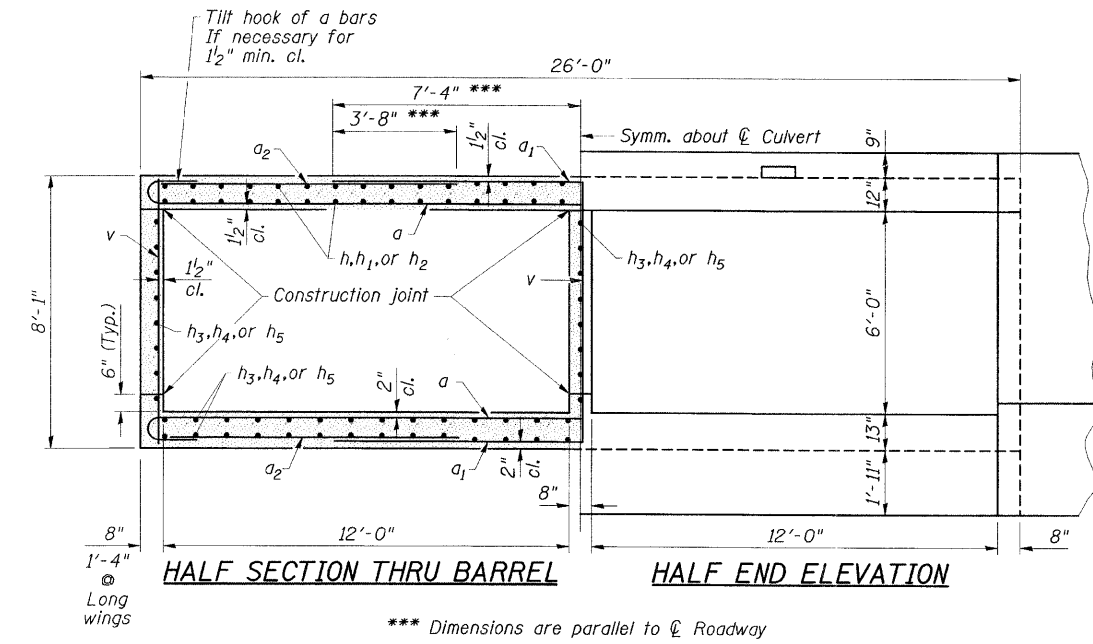


STATE OF ILLINOIS
DEPARTMENT OF TRANSPORTATION

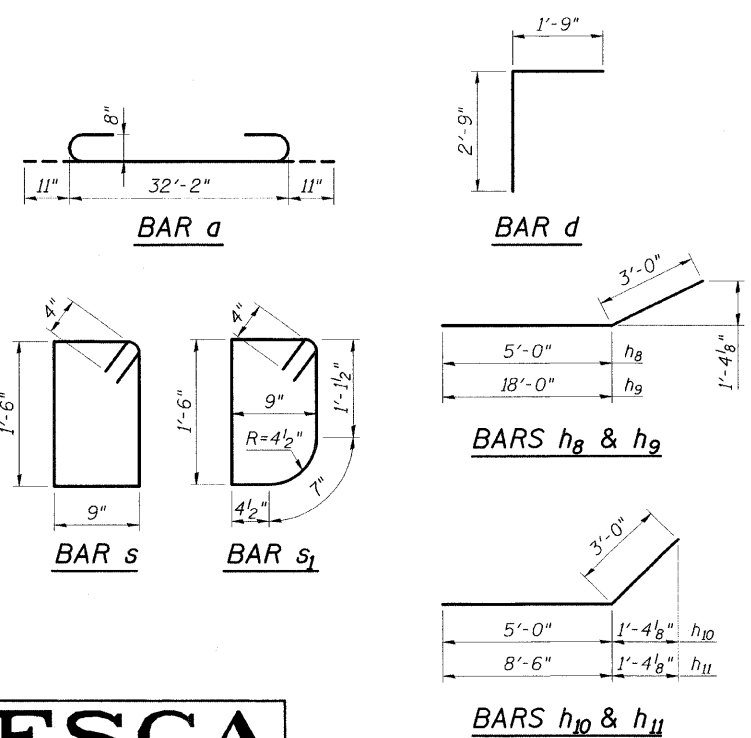
ROUTE NO.	SECTION	COUNTY	SHEET NO.	SHEET NO.
FAP 824	*	COLES	52 40	6
FED. ROAD DIST. NO.	ILLINOIS PROJECT	FED. AID PROJECT	9 SHEETS	
			Contract #74157 *16-2, 19X-21RS-1, 19B, 19BR	



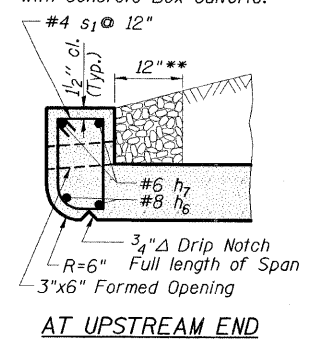
SECTION A-A
(Bars shown are in long wing)

BILL OF MATERIAL

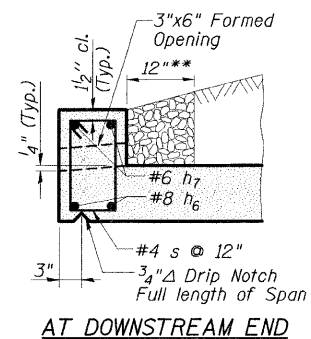
Bar	No.	Size	Length	Shape
a	586	#8	34'-0"	
a1	726	#8	14'-8"	
a2	592	#5	12'-6"	
d	50	#4	4'-6"	
h	120	#6	33'-6"	
h1	180	#6	26'-11"	
h2	180	#6	35'-0"	
h3	160	#5	33'-4"	
h4	240	#5	26'-10"	
h5	320	#5	26'-6"	
h6	8	#8	32'-3"	
h7	10	#6	32'-3"	
h8	24	#8	8'-0"	
h9	18	#8	21'-0"	
h10	30	#5	8'-0"	
h11	22	#5	11'-6"	
s	31	#4	5'-2"	
s1	31	#4	5'-0"	
v	733	#5	7'-9"	
v1	16	#5	9'-9"	
Concrete Box Culverts			Cu. Yd.	621.3
Reinforcement Bars			Pound	142,910
Bar Splicers			Each	280



** Coarse aggregate full length of both headwalls. To be placed by Grading Contractor. Cost included with Concrete Box Culverts.

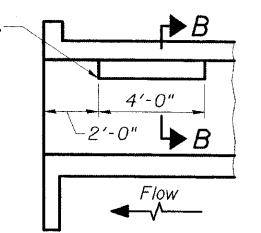


AT UPSTREAM END

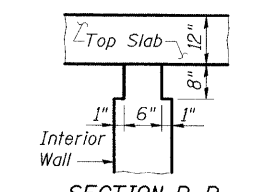


AT DOWNSTREAM END

Notch formed by rough-finished board attached to and removed with formwork at interior wall. (Do not chamfer).



LONGITUDINAL SECTION



SECTION B-B
(Downstream End Only)

PHOEBE NESTING
SITE DETAILS

BOX CULVERT DETAILS
US 45 OVER KICKAPOO CREEK
FAP ROUTE 824
SECTION (16-2, 19X-2)RS-1, 19B, 19BR
COLES COUNTY
STATION 1381+22.50
STRUCTURE NO. 015-2023

ESCA
CONSULTANTS, INC.

DESIGNED BY: DAJ 07/08
DRAWN BY: HAS 07/08
CHECKED BY: ELH 07/08
APPROVED BY: RDP 07/08

DRAIN DETAILS