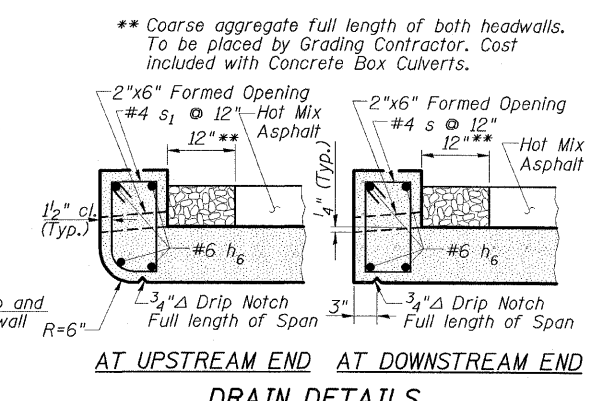
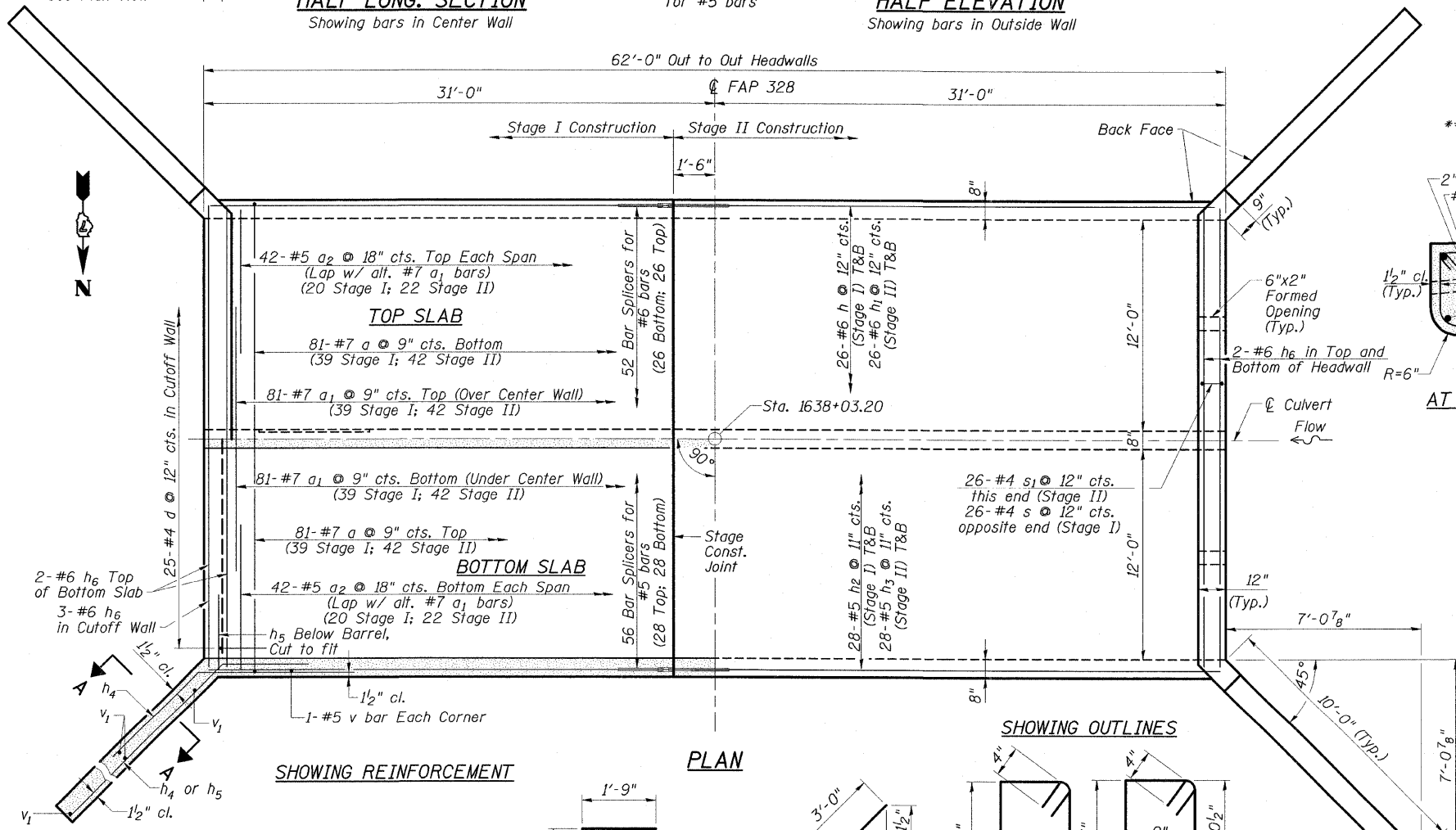
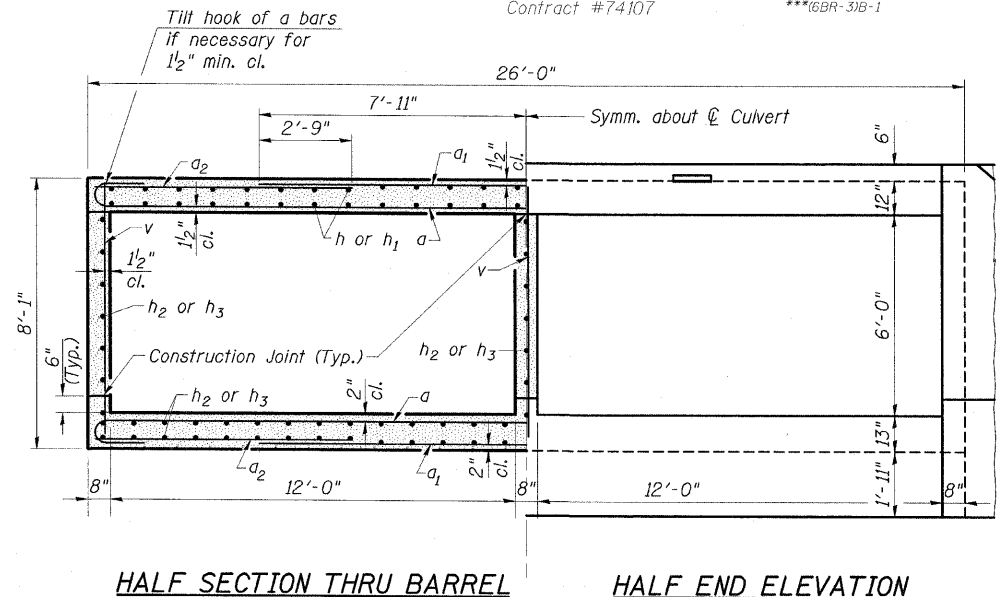
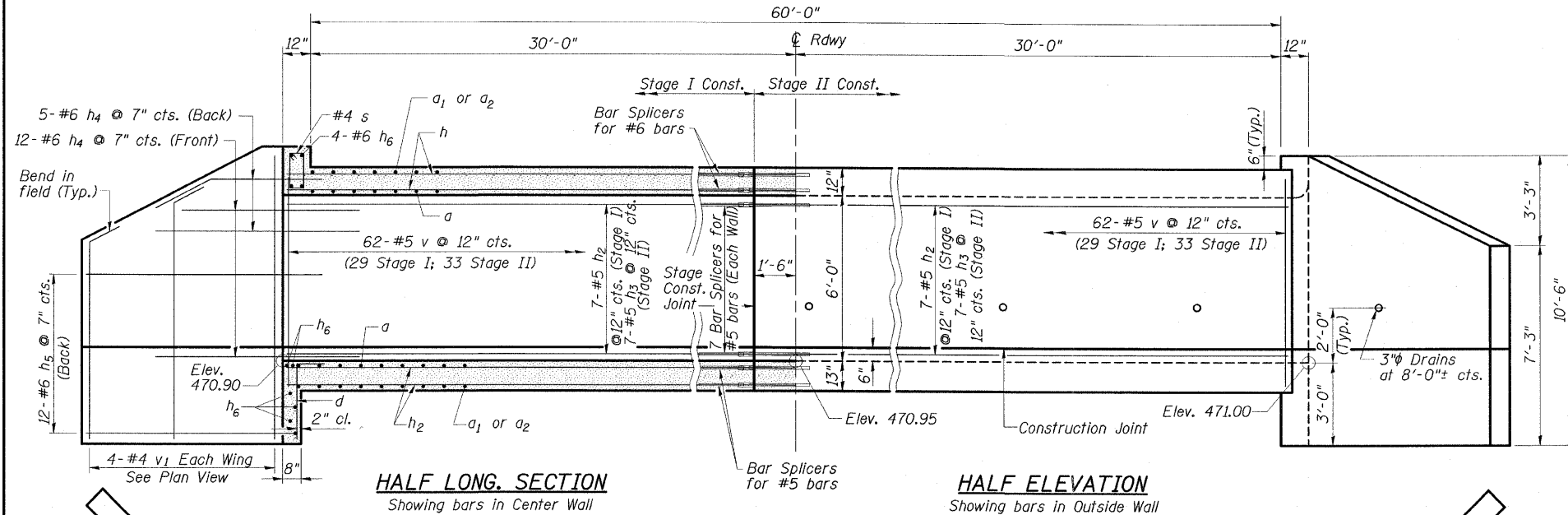


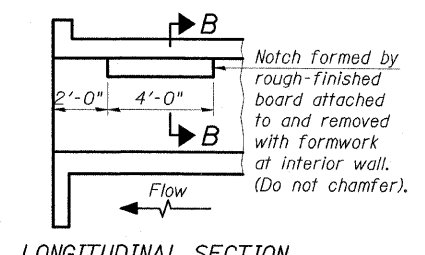
STATE OF ILLINOIS
DEPARTMENT OF TRANSPORTATION

ROUTE NO. FAP 328	SECTION ***	COUNTY CLAY	SHEET 109	SHEET 39	SHEET NO. 3 6 SHEETS
FED. ROAD DIST. NO. ILLINOIS					FED. AID PROJECT- Contract #74107 ***6BR-31B-1



BILL OF MATERIAL

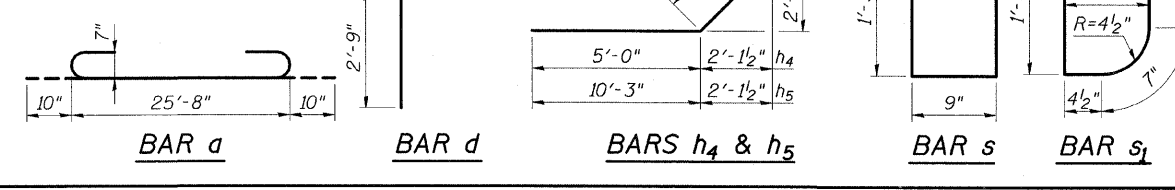
Bar	No.	Size	Length	Shape
a	162	#7	27'-4"	U
a ₁	162	#7	15'-10"	U
a ₂	168	#5	7'-8"	U
d	50	#4	4'-6"	L
h	52	#6	29'-3"	U
h ₁	52	#6	32'-3"	U
h ₂	77	#5	29'-3"	U
h ₃	77	#5	32'-3"	U
h ₄	68	#6	8'-0"	U
h ₅	48	#6	13'-3"	U
h ₆	18	#6	25'-6"	U
s	26	#4	4'-8"	D
s ₁	26	#4	4'-6"	D
v	190	#5	7'-9"	U
v ₁	16	#4	9'-6"	U
Concrete Box Culverts				Cu. Yd. 167
Reinforcement Bars				Pound 29,790
Bar Splicers				Each 129



SECTION A-A

ESCA
CONSULTANTS, INC.

DESIGNED BY: FMA 03/08
DRAWN BY: CJ 03/08
CHECKED BY: ELH 05/08
APPROVED BY: RDP 08/08



BOX CULVERT DETAILS
US 45 OVER BRANCH OF ELM CREEK
FAP ROUTE 328 - SECTION (6BR-3)B-1
CLAY COUNTY
STATION 1638+03.20
STRUCTURE NO. 013-2010