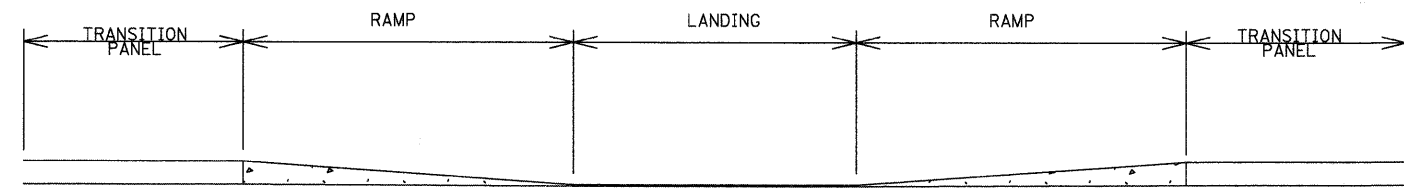
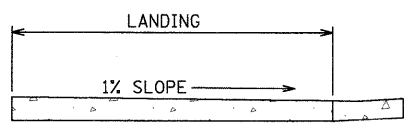


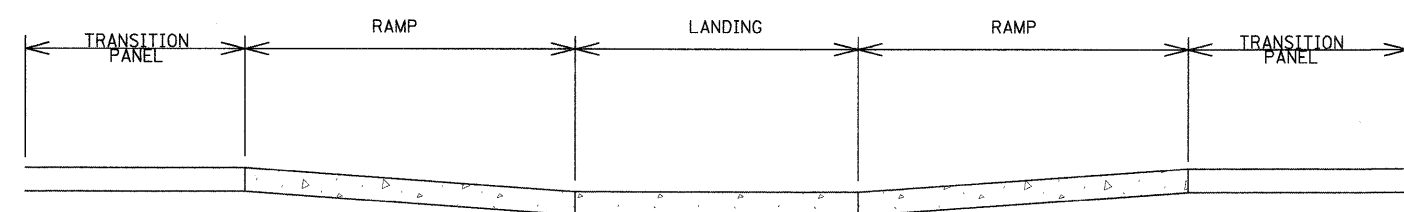
CHICAGO AVENUE AT KEDZIE STREET – ADA RAMP AT NORTHWEST CORNER



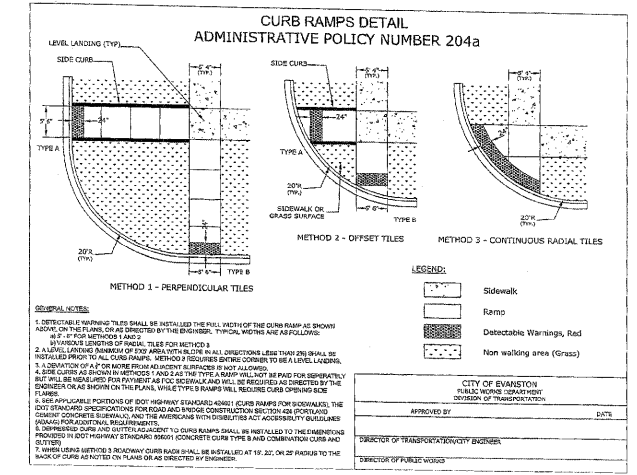
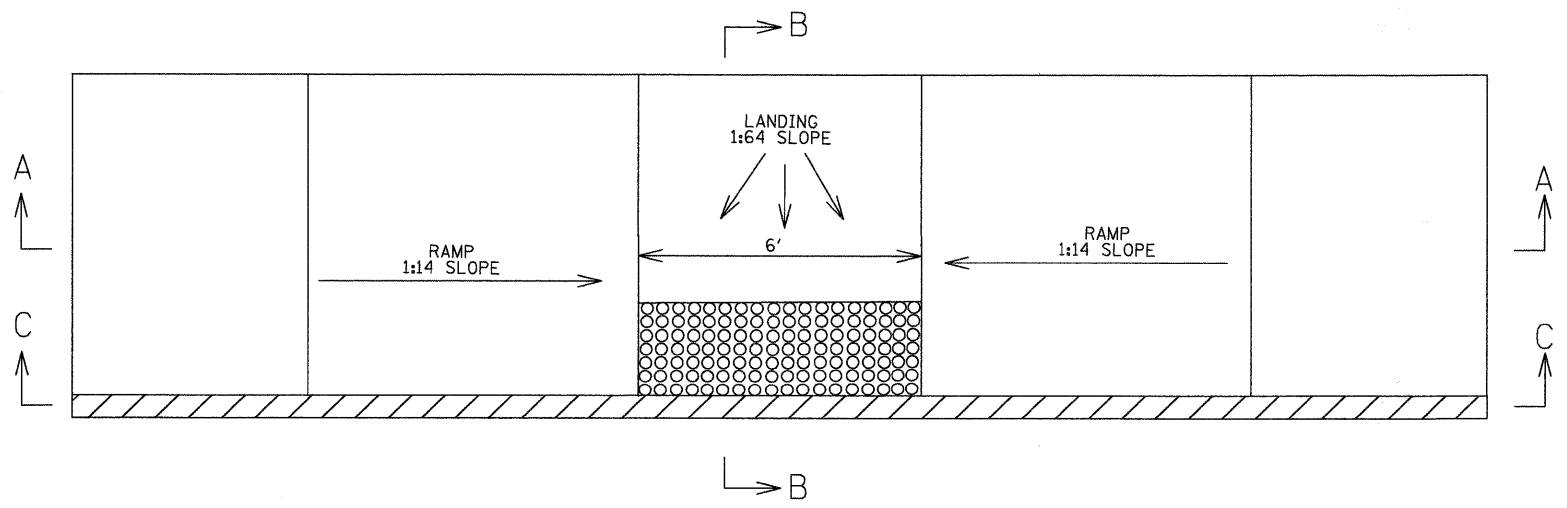
SECTION C-C



SECTION B-B



SECTION A-A



<p>PROFILE</p> <p>SURVEYED _____</p> <p>DESIGNED _____</p> <p>NOTE BOOK _____</p> <p>STRUCTURE NOTATIONS CHRD _____</p>	<p>PLAN</p> <p>SURVEYED _____</p> <p>PLOTTED _____</p> <p>NOTE BOOK _____</p> <p>NO. _____</p>
<p>BY _____</p> <p>DATE _____</p>	<p>BY _____</p> <p>DATE _____</p>

CHRISTOPHER B. BURKE ENGINEERING LTD.
 9575 West Higgins Road, Suite 600
 Rosemont, Illinois 60018
 (847) 823-0500

FILE NAME =	USER NAME = FPACTIONE	DESIGNED -	REVISED -	STATE OF ILLINOIS DEPARTMENT OF TRANSPORTATION	PROPOSED SIDEWALK MODIFICATIONS CHICAGO AVENUE AT KEDZIE STREET	F.A.U. RTE. 2853	SECTION 05-00240-00-TL	COUNTY COOK	TOTAL SHEETS 25	SHEET NO. 12
PLOT SCALE = 20'	PLOT DATE = 11/2/2009	DRAWN -	REVISED -	SCALE:		CONTRACT NO.		ILLINOIS FED. AID PROJECT 63111		